



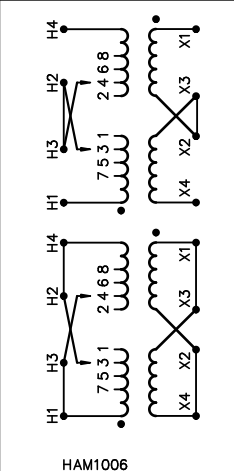
REVISION	DATE	BY	DATE	BY
		DRAWN	06/02/08	CY
		CHEK'D		
1	07/05/05	CY	VERIF'D	

Confidential - Property of <b>Siemens Industry, Inc.</b> Building Technologies Division		
CUSTOMER		
ORDER NO.	DWG. NO.	1
	1D1Y050FCTP1	SH 1 OF 2

# SIEMENS

CATALOG NO. 1D1Y050FCTP1  
 SERIAL NO. SERIES H  
 50 kVA 60 Hz 1 PHASE  
 3 % IMP AT 135 °C  
 115 °C RISE 30 °C AVG. AMBIENT  
 220 °C TEMP CLASS 40 °C MAX. AMBIENT  
 PRIMARY ( H1 H3 H2 H4 ) 240X480 V  
 SECONDARY(X4 X2 X3 X1 ) 120/240 V  
 WINDING MATERIAL CU  
 ENCLOSURE TYPE NEMA-3R WEIGHT 650 LBS  
 ENERGY EFFICIENCY NEMA TP 1-2002

SPACINGS BETWEEN ENCLOSURE AND ANY ADJACENT WALL SHALL BE A MINIMUM OF 3 INCHES  
 LISTED DISTRIBUTION TRANSFORMER 77US  
 TYPE F  
 LR 3902  
  
 E112313  
 SUITABLE FOR INDOOR OR OUTDOOR LOCATIONS  
 DO NOT INSTALL IN AREAS ACCESSIBLE TO PUBLIC  
 FOR INSTALLATION SEE INSTRUCTION MANUAL  
 NEMA Class ANN Dry Type Transformer Siemens Industry, Inc. Norcross, GA

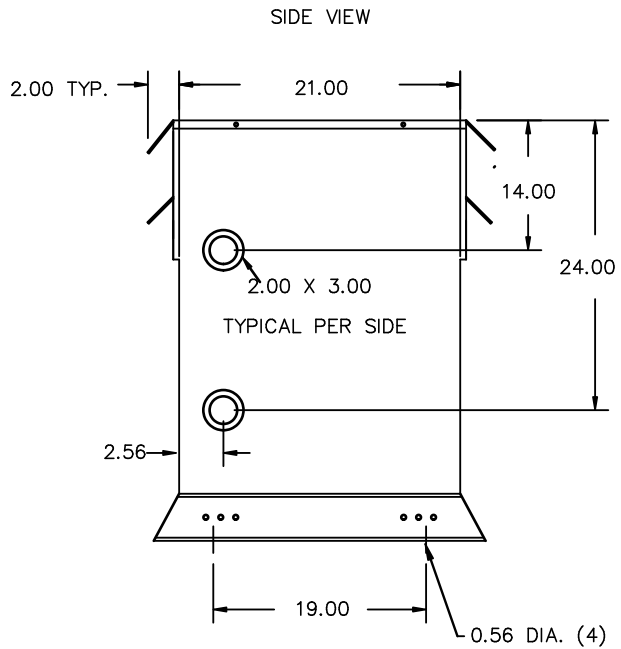
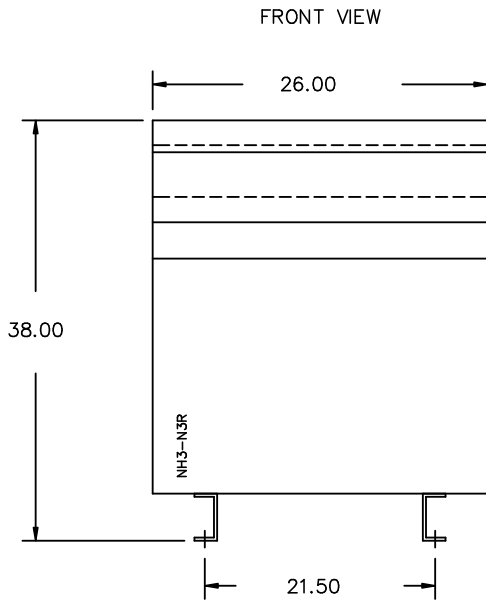


VOLTS	INPUT LINE ON H1 & H4
504	CONNECT
492	H2-1, H3-2
480	H3-2, H2-3
468	H2-3, H3-4
456	H3-4, H2-5
444	H2-5, H3-6
432	H3-6, H2-7
252	H2-7, H3-8
240	H2-1, H3-2
228	H2-3, H3-4
216	H2-5, H3-6
	H2-7, H3-8

CONNECT H1 TO H3 AND H2 TO H4 FOR PARALLEL PRIMARY

VOLTS	CONNECT	OUTPUT LINE
120	X1-X3, X2-X4	X1-X4
240	X2-X3	X1-X4
240/120	X2-X3	X1-X2-X4





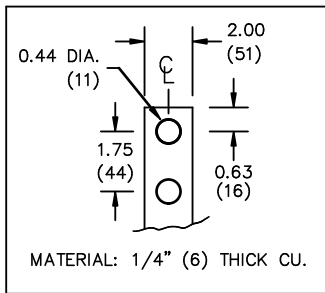
All Dimensions in inches

ENCLOSURE COLOR :ANSI 61 GREY – OUTDOOR

H.V.1. TERMINAL DETAIL

L.V.1. TERMINAL DETAIL

MECHANICAL TYPE LUGS INCLUDED  
SUITABLE FOR 350MCM-6 CU/AL  
CONDUCTORS  
1 CONDUCTOR PER PHASE



CUSTOMER NOTES:

- HV1 TERMINATED AT TOP FRONT
- LV1 TERMINATED AT BOTTOM FRONT

Confidential – Property of  
**Siemens Industry, Inc.**  
Building Technologies Division

REVISION	DATE	BY	DATE	BY
			06/02/08	CY
1	07/05/05	CY		

CUSTOMER		
ORDER NO.	DWG. NO.	1
	1D1Y050FCTP1	SH 2 OF 2

1:1 rbh:tie 2010/06/19 11:19