

7
6
5
4
3
2
1

SIEMENS

Rainproof Combination Metering

Catalog Number
MM0404L1400SDL

Enclosure
Type 3R

Panelboard Rating:
400 Amps Max; 120/240 Volts ~ 1 Phase, 3 Wire
208Y/120 Volts ~ 1 Phase, 3 Wire (5th Jaw may be required)
Meter Socket Rating: 400 Amps Max, 320 Amps Continuous
For installation by a qualified person in accordance with all local electrical codes and/or the National Electrical Code.®

SUITABLE ONLY FOR USE AS SERVICE EQUIPMENT.

FOR UNDERGROUND SERVICE ONLY.

Terminals suitable for 60°/75°C Copper or Aluminum Conductor.

General Information:
Remove twistouts from trim only where breakers will be installed. All openings must be filled with breakers or filler plates. Circuit breaker overload trip position is indicated by handle to OFF position when ON and OFF. To reset, move handle to OFF position then turn ON.

Line Terminals:

Provisions for UL listed one or two hole NEMA mounting terminals. Use mechanical lugs listed in accessory chart or compression terminals to #750 kcmil, single conductor, ILSCO type ACL or 2ACL. Installation Tool: THOMAS & BETTS # TBM8 for #10-350kcmil(AL), #8-500kcmil(CU) TBM8-750M-1 for #8-750kcmil(CU/AL)

Tightening Torques:

5/16" Nuts(1/2" Drive)130-140 in-lbs
3/8" Nuts(9/16" Drive)240-260 in-lbs
1/2" Nuts(3/4" Drive)490-540 in-lbs

Line, Neutral and Ground Terminal	Wire Size	Torque
A, B, N	(2) #6-350 kcmil	275 lb-ins
SUK350TA	#2-600 kcmil	375 lb-ins
SUK600TA	500-1000 kcmil	500 lb-ins
SUK1000TA	#4 - 300 kcmil	250 lb-ins
Branch Breaker Terminals	See Markings on Breaker	
Neutral/Equip GRD (2/0-14)	#10 - #14 CU #10 - #12 AL #8	35 lb-ins 35 lb-ins 40 lb-ins
	2/0 - #6	45 lb-ins

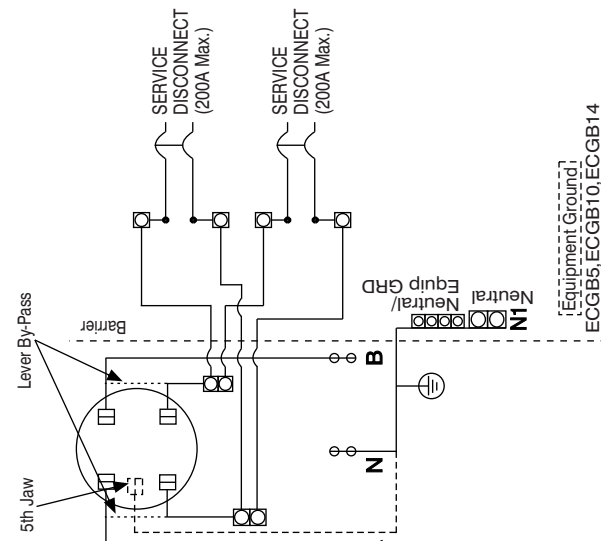
Short Circuit Current Rating (Wattour Meter not included in short circuit current rating).

This panelboard has a maximum short circuit rating of 22,000 RMS symmetrical amperes, 120/240 V~. The correct circuit breakers to be used for various short circuit current levels are listed in the tabulation below. Any branch circuit breaker installed, replaced or added in this panelboard must be manufactured by Siemens and must be of the types listed below.

When the installed service disconnect is a Siemens type	Then the maximum short circuit current rating in RMS Symmetrical Amperes 120/240V AC is
SERVICE DISCONNECTS NONE or QP, QNR	10,000
NONE or QPH, QNRH	22,000

Important: Do not allow petroleum based (hydrocarbon) sprays, chemicals, solvents or any paint to contact interior components. Petroleum based chemicals can cause degradation of electrical insulating materials.

Siemens Industry, Inc. Building Technologies Division Norcross, Georgia U.S.A. **J2** 409001920101 Rev.A
© The National Electrical Code is a registered trademark of the National Fire Protection Association. Assembled in Mexico
© 2010 Copyright Siemens Industry, Inc.



Accessories:

- Filler Plate QF3 or ECQF3
- 5th Jaw for Lever H35815-2
- Bypass Socket ECFRK1
- Flush Rail Kit QN2200RH
- 200 Amp Main Breaker QN2150RH
- 150 Amp Main Breaker QN2150RH
- LUG #6-350 kcmil SUK350TA
- LUG #2-600 kcmil SUK600TA
- LUG 500-1000 kcmil SUK1000TA

WARNING:
Removal of meter does not de-energize circuit when By-Pass is engaged.

Type HD Hubs listed below:	Trade size (in)	Catalog No.
	2"	EC56854
	2 1/2"	EC56855
	3"	EC56856
	3 1/2"	EC56857
	4"	EC56858
		EC56933S

Ground Terminal Size	Wire Range	Torque
#4 - #14 (ECGB)	(1, 2 or 3) #14 (1 or 2) #12 - #10	20 lb-ins 20 lb-ins
	#8	25 lb-ins
	#6 - #4	35 lb-ins
Only Equipment Ground Terminals may use more than one wire per terminal.		

DESIGN RESPONSIBILITY LOCATION:
SII-NORCROSS
PRINT DISTRIBUTION
ECN COPIES MUST BE ISSUED TO ALL CHECKED LOCATIONS FOR APPROVAL PRIOR TO CHANGE

<input type="checkbox"/> SII-NOR	<input type="checkbox"/> DUR-LEB	<input type="checkbox"/> *
<input checked="" type="checkbox"/> SII-IT2	<input type="checkbox"/> DUR-HOU	<input type="checkbox"/> *
<input type="checkbox"/> SII-IT1	<input type="checkbox"/> McPHER	<input type="checkbox"/> *

-CONFIDENTIAL- PROPERTY OF
Siemens Industry, Inc.
Building Technologies Division

WIRING DIAGRAM

09-159J2-01	A	3/16/10	ISSUE	KAM	DWN	KAM	DATE	2/22/10	SCALE B	ISSUE RELEASE NO. 09-159J2-01	DWG. NO.	40900192	SHEET 1 OF 1	DO NOT SCALE DRAWING	REV A
ECN NO.	REV	DATE	DESCRIPTION	BY	CHK	CDH	DATE	3/4/10							
					APVD		DATE		SCALE 1:1						

UNLESS OTHERWISE SPECIFIED DIMENSIONS ARE IN INCHES
TOLERANCES:
.XX ±.12
.XXX
HOLE DIAMETER ±.005
ANGULAR
UNDIMENSIONED 90° ANGLES ±0°30'

7
6
5
4
3
2
1