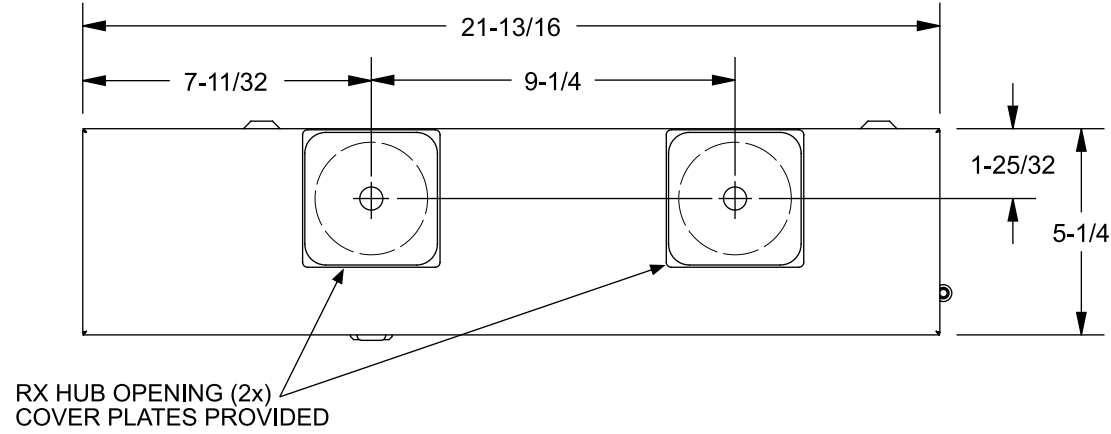


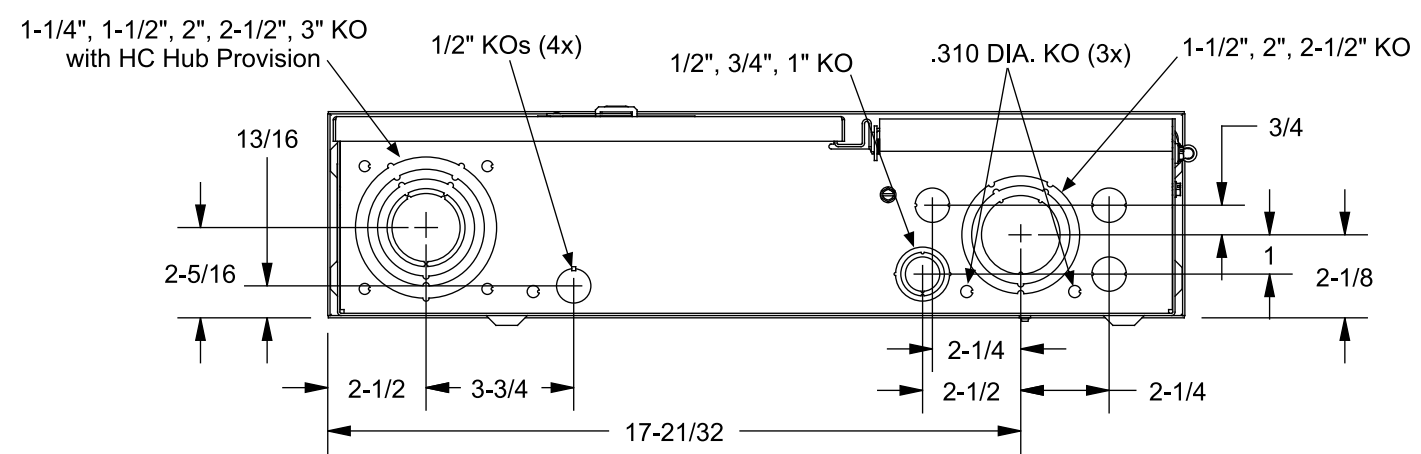
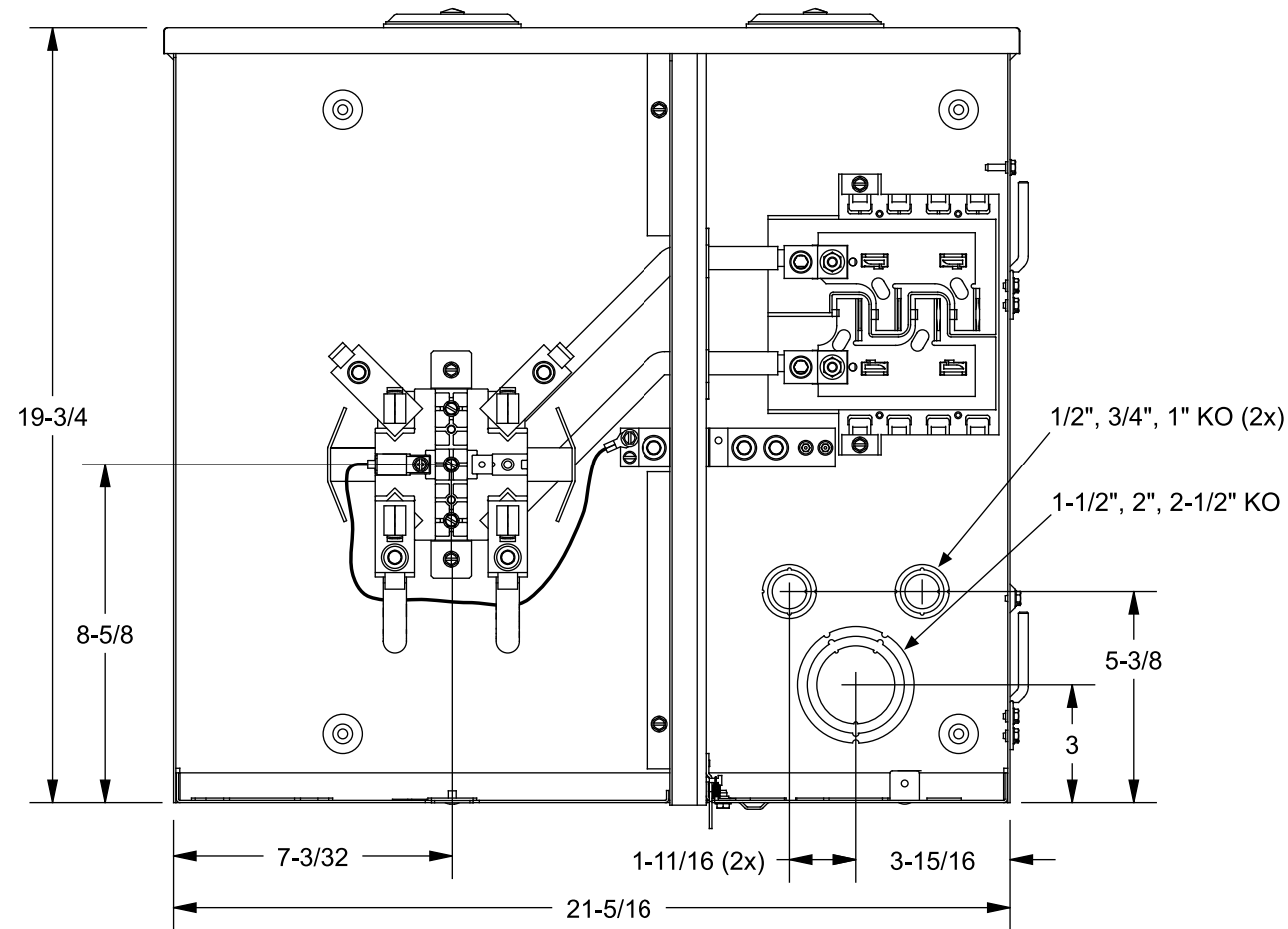
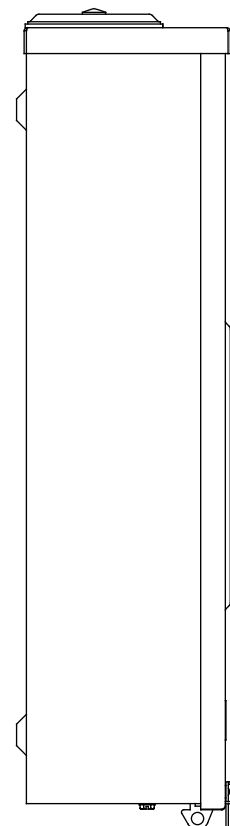
# Catalog Number: MM0202S1200RJB

## Features and Ratings

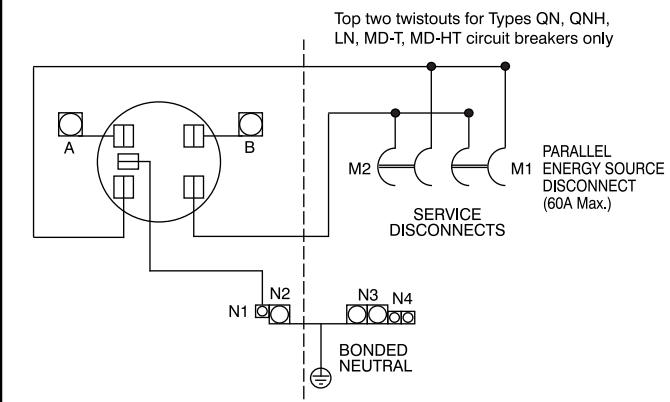
- Outdoor Enclosure (NEMA Type 3R)
  - For Photovoltaic or Alternate Energy applications (Use 60A Max. Breaker Types QP, QPH, LQ, MP-T, MP-HT\*)
  - Ringless Type Meter Cover
  - Field Installed Main Breaker (Types QN, QNH, QP, QPH, LN, LQ, MD-T, MD-HT, MP-T, MP-HT\*)
  - 200A Max, 1 Phase, 3 Wire, 120/240V~, 120/208V~
  - 22,000 AIC Max. Rated\*
  - Meter Socket Rating: 200A Continuous
  - 5th Jaw Installed 9 o'Clock Position
  - Factory Installed Horn Bypass
  - Overhead or Underground Service Entrance
  - Surface Mounting
- \*See Wiring Diagram for Details



View Shown Without Cover, Door, Deadfront



## Schematic



## Wire Sizes and Torques

(Refer to Schematic)

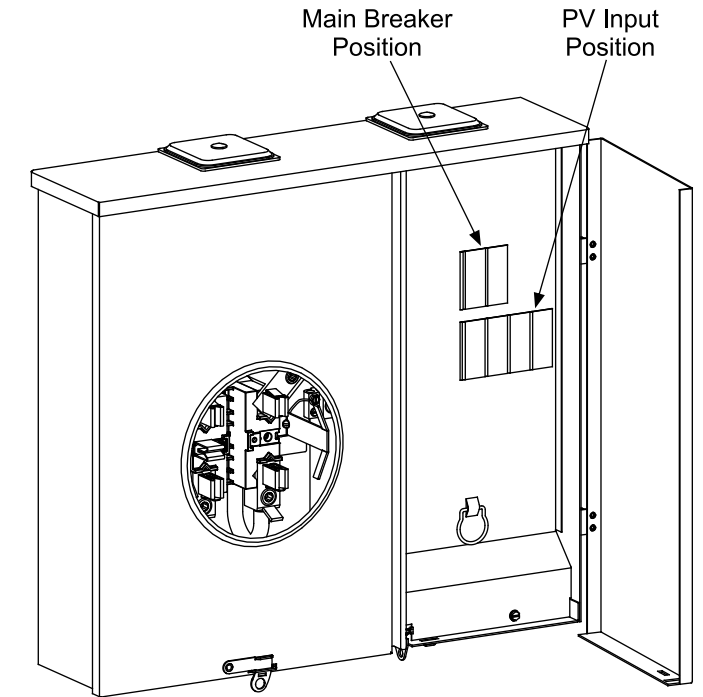
Terminal	Wire Size	Torque
A, B	250kcmil - #6	275 lb-in
N1	#2 - #3	50 lb. in.
	#4 - #6	45 lb. in.
	#8	40 lb. in.
N2	250 kcmil - #6	275 lb. in.
N3	250 kcmil - #4	275 lb. in.
N4	1/0 - #14	120 lb. in.

## Accessories

Accessories:  
Filler Plate - ECQF3  
5" Jaw Assembly - EMC5J

Hubs: Type RX Catalog Numbers (Top Endwall)

Trade size (inches)	Siemens Cat. No.	Talon Cat. No.
1 1/4"	EC38597	H38597-2
1 1/2"	EC38598	H38598-2
2"	EC38599	H38599-2
2 1/2"	EC38600	H38600-2



© 2012 Copyright Siemens Industry, Inc.

**SIEMENS**  
Siemens Industry, Inc.

## SolarReady™ Meter Main

Description:  
**200A, OH/UG, Ringless, 5 Jaw, Horn Bypass**

KAM 4/30/12 | Fam D | DO NOT SCALE DRAWING | Dwg. No. **MM0202S1200RJB**