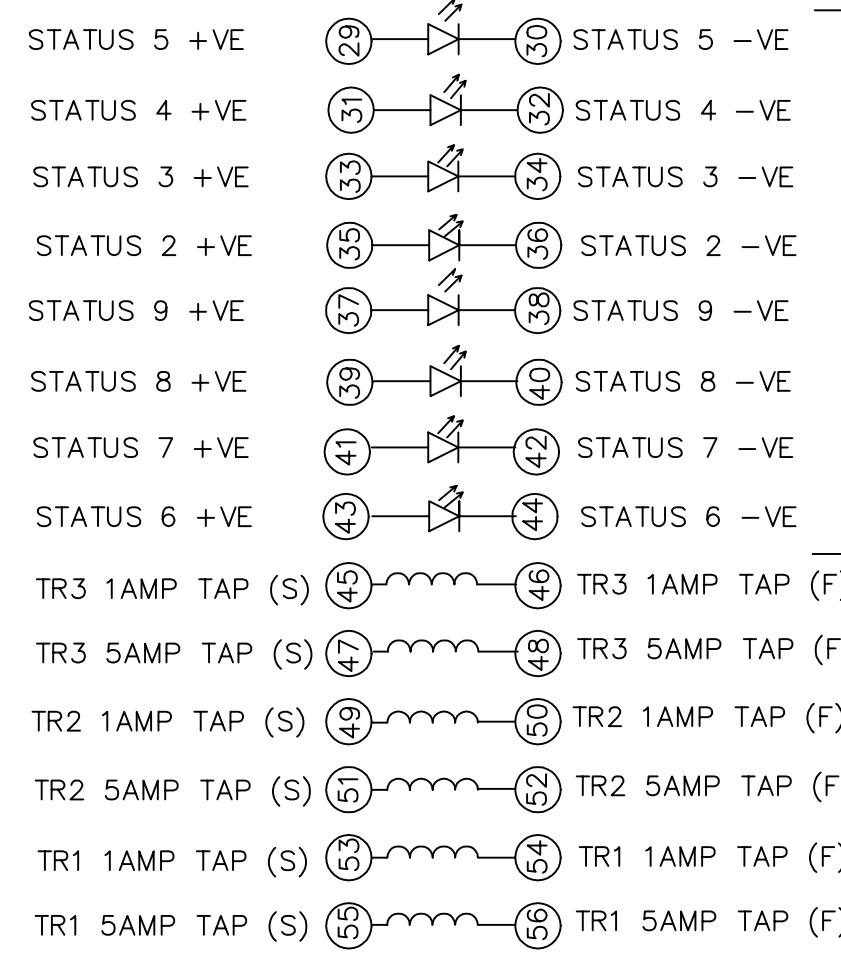
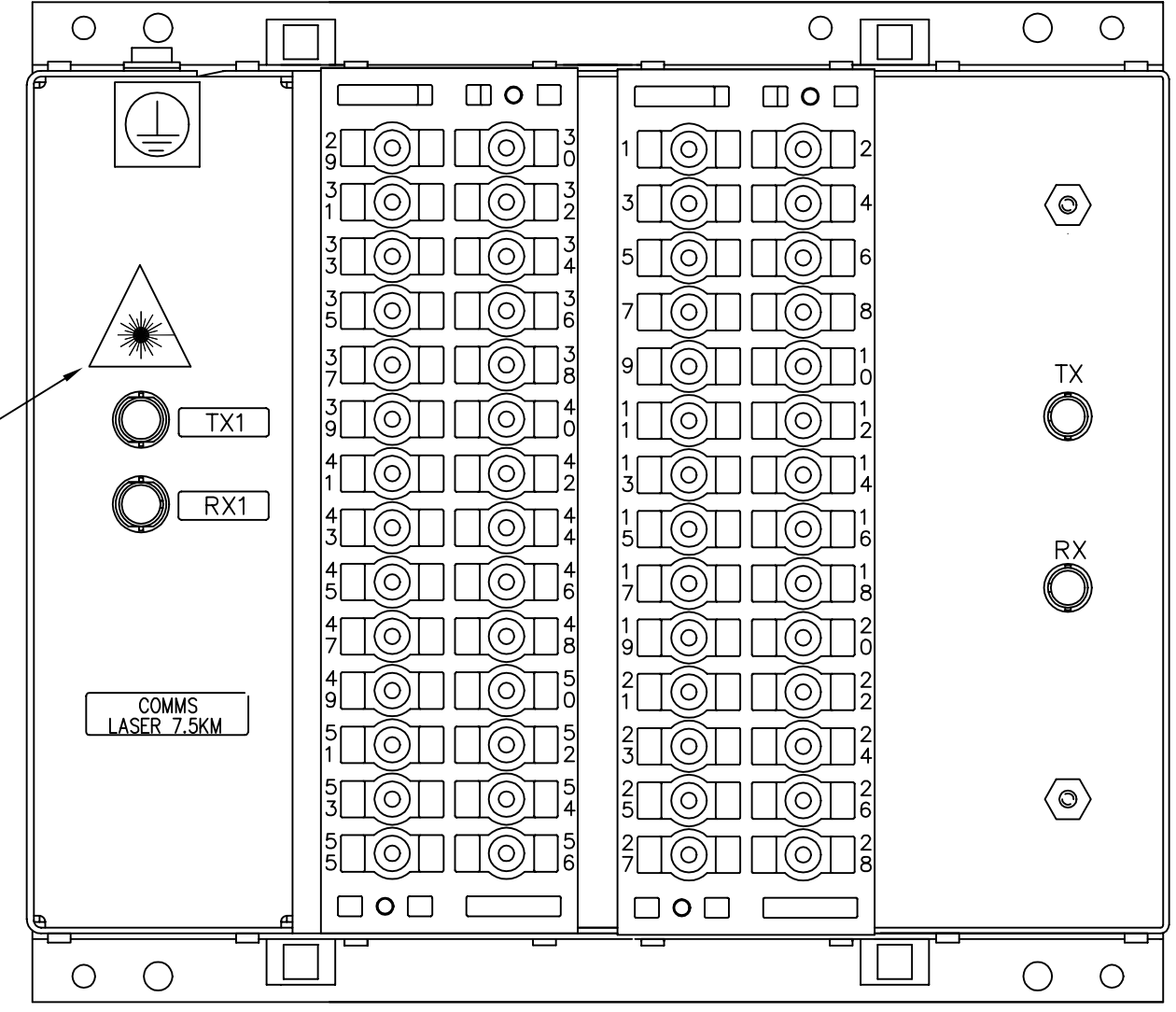
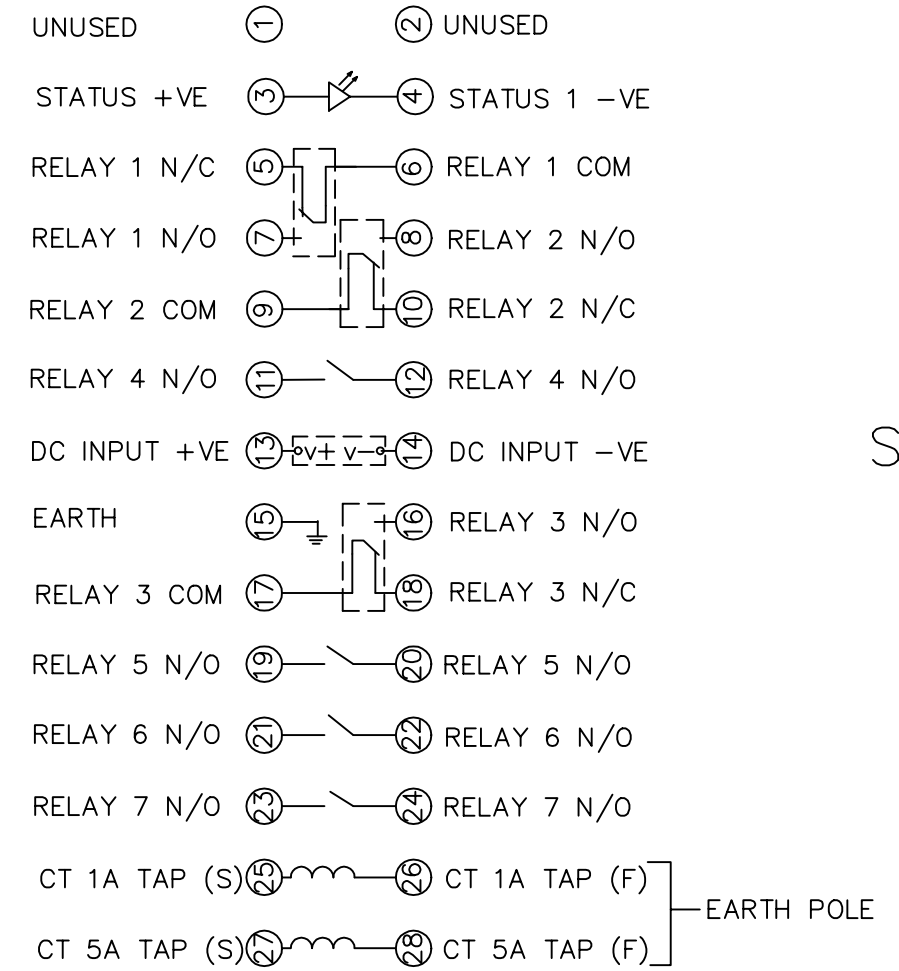


IF IN DOUBT ASK  
DO NOT SCALE



CONNECTIONS FOR EXP BOARD  
NOT FITTED ON 70+11 VERSION



SEE NOTE

BOX VIEWED FROM REAR

OUTER TERMINAL BLOCK ASSY:-  
VIEW BLOCK FROM THE INSIDE FACE  
ASSEMBLY INSTRUCTIONS:-  
TYPICAL ASSEMBLY DRAWING 2995G10029  
AT INDICATED POSITIONS FIT AS FOLLOWS,  
S - FIT STANDARD CONTACT  
2995B10051  
HC - FIT 'HEAVY CURRENT' KIT  
2995G10030  
WHERE -o-o- IS SHOWN FIT  
CT SHORTING KIT 2995G10031  
POSITIONS SHOWN BLANK ARE UNUSED  
ALL POSITIONS FIT SCREW 2106F12506

|    |       |       |    |
|----|-------|-------|----|
| 30 | S     | S     | 29 |
| 32 | S     | S     | 31 |
| 34 | S     | S     | 33 |
| 36 | S     | S     | 35 |
| 38 | S     | S     | 37 |
| 40 | S     | S     | 39 |
| 42 | S     | S     | 41 |
| 44 | S     | S     | 43 |
| 46 | -o-o- | -o-o- | 45 |
| 48 | -o-o- | -o-o- | 47 |
| 50 | -o-o- | -o-o- | 49 |
| 52 | -o-o- | -o-o- | 51 |
| 54 | -o-o- | -o-o- | 53 |
| 56 | -o-o- | -o-o- | 55 |

OUTER TERMINAL BLOCK ASSY:-  
VIEW BLOCK FROM THE INSIDE FACE  
ASSEMBLY INSTRUCTIONS:-  
TYPICAL ASSEMBLY DRAWING 2995G10029  
AT INDICATED POSITIONS FIT AS FOLLOWS,  
S - FIT STANDARD CONTACT  
2995B10051  
HC - FIT 'HEAVY CURRENT' KIT  
2995G10030  
WHERE -o-o- IS SHOWN FIT  
CT SHORTING KIT 2995G10031  
POSITIONS SHOWN BLANK ARE UNUSED  
ALL POSITIONS FIT SCREW 2106F12506

|    |       |       |    |
|----|-------|-------|----|
| 2  | S     | S     | 1  |
| 4  | S     | S     | 3  |
| 6  | -o-o- | -o-o- | 5  |
| 8  | S     | S     | 7  |
| 10 | -o-o- | -o-o- | 9  |
| 12 | S     | S     | 11 |
| 14 | S     | S     | 13 |
| 16 | S     | S     | 15 |
| 18 | -o-o- | -o-o- | 17 |
| 20 | S     | S     | 19 |
| 22 | S     | S     | 21 |
| 24 | S     | S     | 23 |
| 26 | -o-o- | -o-o- | 25 |
| 28 | -o-o- | -o-o- | 27 |

VIEW FROM NUMBERED SIDE OF BLOCK  
ASSEMBLY INSTRUCTIONS:-  
TYPICAL ASSEMBLY DRAWING 2995G10032  
AT INDICATED POSITIONS FIT AS FOLLOWS,  
T - FIT TRIP ISOLATION CONTACT  
2995B10053  
S - FIT STANDARD CONTACT  
2995B10054  
POSITIONS SHOWN BLANK ARE UNUSED

|    |   |   |    |
|----|---|---|----|
| 2  | T | T | 1  |
| 4  | T | T | 3  |
| 6  | T | T | 5  |
| 8  | T | T | 7  |
| 10 | T | T | 9  |
| 12 | T | T | 11 |
| 14 | T | T | 13 |
| 16 | T | T | 15 |
| 18 | S | S | 17 |
| 20 | S | S | 19 |
| 22 | S | S | 21 |
| 24 | S | S | 23 |
| 26 | S | S | 25 |
| 28 | S | S | 27 |

VIEW FROM NUMBERED SIDE OF BLOCK  
ASSEMBLY INSTRUCTIONS:-  
TYPICAL ASSEMBLY DRAWING 2995G10032  
AT INDICATED POSITIONS FIT AS FOLLOWS,  
T - FIT TRIP ISOLATION CONTACT  
2995B10053  
S - FIT STANDARD CONTACT  
2995B10054  
POSITIONS SHOWN BLANK ARE UNUSED

|    |   |   |    |
|----|---|---|----|
| 2  | S | S | 1  |
| 4  | T | T | 3  |
| 6  | S | S | 5  |
| 8  | T | T | 7  |
| 10 | S | S | 9  |
| 12 | T | T | 11 |
| 14 | S | S | 13 |
| 16 | T | T | 15 |
| 18 | S | S | 17 |
| 20 | T | T | 19 |
| 22 | T | T | 21 |
| 24 | T | T | 23 |
| 26 | S | S | 25 |
| 28 | S | S | 27 |

**DANGER**

THIS RELAY IS FITTED WITH A CLASS 3 LASER & THEREFORE SHOULD BE TREATED AS A POTENTIAL EYE HAZARD. TO AVOID POSSIBLE EXPOSURE TO HAZARDOUS LEVELS OF INVISIBLE LASER RADIATION, FOLLOW ALL ASSEMBLY & OPERATION INSTRUCTIONS.

NOT SUBJECT TO UPDATE  
ONCE COPIED / PRINTED  
OR DOWNLOADED

NOTES  
1 TERMINALS RECOMMENDED ARE PRE INSULATED & MUST BE CRIMPED USING APPROVED TOOLING.  
AMP PIDG OR PLASTI GRIP FUNNEL ENTRY (RING TONGUE) FOR M4 FIXING STUD.  
SUPPLIER      AMP      CABLE SIZE  
AMP      342103      0.25-1.6 SQ MM  
AMP      342143      1.0-2.6 SQ MM.  
OR ANY OTHER MANUFACTURERS EQUIVALENT TERMINAL.  
2 FOR OUTLINE & DRILLING DRG SEE 2995X10008 (A4).

**MATERIAL:**

Dimensions in millimetres ; Surface texture in micrometres.  
Machine where marked ✓  
For explanation of dimensions, tolerances, notes etc. see B.S.308.  
Limit on untoleranced unmachined dimensions ± \_\_\_\_\_  
Limits on untoleranced machined dimensions to B.S.4500;  
i.e. up to 6±0.1; over 30 to 120±0.3; over 315±0.8;  
over 6 to 30±0.2; over 120 to 315±0.5;  
General unmachined angular tolerance ± \_\_\_\_\_

Finish: \_\_\_\_\_  
Treatment: \_\_\_\_\_

Title:  
TERMINAL IDENTIFICATION & RELAY WIRING DIAGRAM  
SOLKOR-N PROTECTION LASER 7.5KM (EPSILON E8 CASE)  
**VATECH REYROLLE**  
**AUTOMATION, CONTROL & PROTECTION**

First used on: \_\_\_\_\_  
Similar Articles: \_\_\_\_\_  
Supersedes: \_\_\_\_\_  
Original Scale: NTS  
Drg. No. 2646W50002

|   |       |          |            |     |
|---|-------|----------|------------|-----|
| 2 | RDW   | 28/01/04 | MN646/2616 | SPK |
| 1 |       | 18/7/01  | CHANGE     | △   |
|   | ISSUE | DATE     | NOTED      |     |

Copyright © 2001 VATECH REYROLLE ACP Ltd. Hebburn