

**SIEMENS**  
*Ingenuity for life*

# FSPHONE & FSPHONE4X

## Phone Surge Protection

Siemens FSPHONE is a 2 pair, hardwired surge protector for telephone, DSL or modem connected electronics in residential and light commercial applications. The FSPHONE protects against electrical power surges that can enter through the main telephone connection and is equipped with a failshort device to permanently ground the telephone line in the event of a power cross. The FSPHONE is designed for indoor applications or can be mounted inside another weatherproof enclosure for outdoor mounting applications.

The FSPHONE4X consists of the FSPHONE plus a weatherproof enclosure to facilitate indoor or outdoor applications. The enclosure is molded of temperature and humidity resistant thermoplastic to resist cracking and discoloration. The cover can be secured with a tie wrap or similar locking device.

For total home protection please use FirstSurge™ to protect your incoming AC Power lines and FSPHONE to protect your incoming telephone line.



## Features & Benefits

- UL listed
- Hardwired Modem/Fax/DSL protection
- Easy to install
- Exceptionally fast response time
- Low insertion loss
- Available with or without enclosure
- 5-Year product warranty\*

\* See website for warranty terms and conditions.

## Technical Specifications

Catastrophic Surge Circuit	Yes
Spike Capacity	200 Amps
Let Through Voltage	<270 V
Overcurrent Protection	Yes
Response Time	<1 nanosecond
Environmentally Sealed	Yes

## Agency Approvals & Warranty

UL/cUL Listings	497C
Meets Telcordia (formally Bellcore) GR-974-CORE Requirements for Telecommunications Line Protectors	Yes
Product Warranty	5 Years

## Catalog Number

FSPHONE	2 pair protection module
FSPHONE4X	2 pair protection module & 1 Weatherproof Enclosure

UL Model No. - SATH2

## Installation Instructions:

Do Not Install During Active Storm Conditions.

This device can be used indoor (FSPHONE), or outdoor when installed in weatherproof housing (FSPHONE4X).

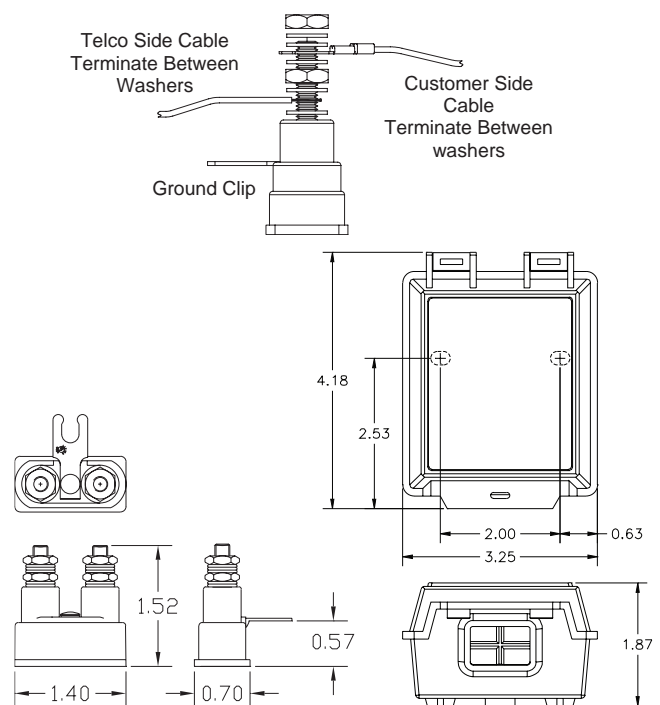
Failure to follow installation instructions can result in personal injury and/or equipment damage not covered by warranty.

FSPHONE – For indoor use:

1. FSPHONE protects 2 pairs (1 pair per protector module) and is intended for indoor use only, without additional housing.
2. Attach securely to mounting surface.
3. Install ground wire, and if applicable, service shield, under top center nut of mounting bracket and tighten nut securely.
4. Connect one pair (tip and ring) under the bottom nut on each protector module, tip on one post, ring on the other.
5. Connect the customer wiring, tip and ring, under the top nut on the same protector module (protector is wired in parallel)
6. Check all wiring for loose connections and shorting or broken wires.

FSPHONE4X – For outdoor use:

1. Mount weatherproof housing securely to flat surface.
2. Conductors will enter and exit from the flexible gromet located at bottom of enclosure.
3. Follow instruction above for FSPHONE connections.
4. Secure enclosure with tie wrap or similar locking device.
5. The FSPHONE4X is a Parallel Device.



**Siemens Industry, Inc.**

5400 Triangle Parkway  
Norcross, GA 30092

888-333-3545

info.us@siemens.com

Order No. RPFL-FSPHO-1216

Printed in USA

All Rights Reserved.

©2016 Siemens Industry, Inc.