



SIEMENS

Ingenuity for life

Power II Fit Program

Save time and money by eliminating uncertainty in Busway measurements

usa.siemens.com/busway

What is the Power II Fit Program?

Siemens PIIF Program compensates for dimensional deviations that may result in busway layouts. With the PIIF Program, specific dimensions on straight sections and/or elbows may be left out of factory released drawings. After the busway run has been installed (minus PIIF pieces), final measurements are taken and sent to your Siemens representative.

Why use the Power II Fit Program?

The PIIF Program can save you both time and money by eliminating uncertainty in busway measurements. When you take advantage of the PIIF Program, your busway runs fit exactly the first time, eliminating incorrect pieces and costly reordering time.

When should the Power II Fit Program be used?

The PIIF Program will benefit you when you are uncertain of exact dimensions on long busway runs and when difficult contour situations require special attention. Common applications of the PIIF Program include tie bus or other configurations in which the busway origin and termination are rigidly defined.

Program Details

- Product Line: SENTRON.
- Pricing: Included with original order entry.

Ordering Details

- Identify Siemens Busway PIIF Pieces at time of original order. Busway Customer Service approves PIIF Pieces.
- Send PIIF Order Form to Busway Customer Service or Siemens Sales Contact when exact measurements are known.
- Busway Customer Service acknowledges PIIF Order and PIIF pieces ship within designated lead times (below).

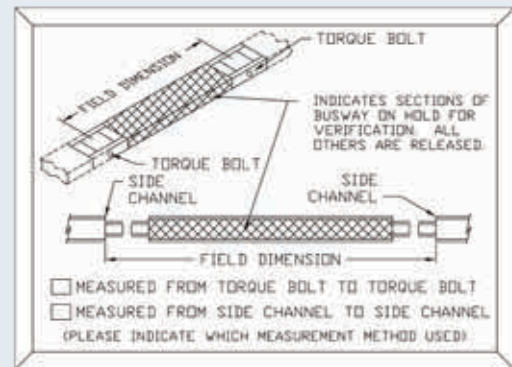
Piece Type	1-3 Total Pieces ^①	1-5 Total Pieces ^①	6-10 Total Pieces ^①	11 or More Total Pieces ^①
Straight Section	5 days ^②	5-10 Working Days	10-15 Working Days	Consult Factory for Lead Times
Standard 90 Degree Elbows ^②	N/A	5-15 Working Days	10-20 Working Days	Consult Factory for Lead Times
Non-Standard Elbows and Other Fittings ^③	N/A	Consult Factory	Consult Factory	Consult Factory for Lead Times

^① Lead times are in business days from receipt of complete PIIF Order Form. The number of pieces is calculated based on how many pieces are released in a given week on any project. All orders ship via standard carrier originating from Spartanburg, SC. Ex: 4 straight sections and 2 elbows would be considered 6 total pieces and they would be shipped in 10-20 working days. All field fit pieces must be shown on approval drawings issued by factory. If pieces are not shown on factory approval drawings as field measured they are not eligible for the field fit program.

^② Standard 90 Elbows are defined in the Sentron Busway System Selection and Application Guide. Offsets and combinations will be considered non-standard elbows and other fittings.

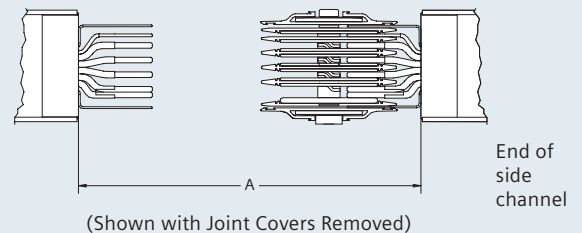
^③ Pending material availability. All sections must be shorter than 5ft. from centerline to centerline if air freight is required. Lengths of pieces should be accounted for during the approval drawing stage.

Field Dimension Measurement Guide



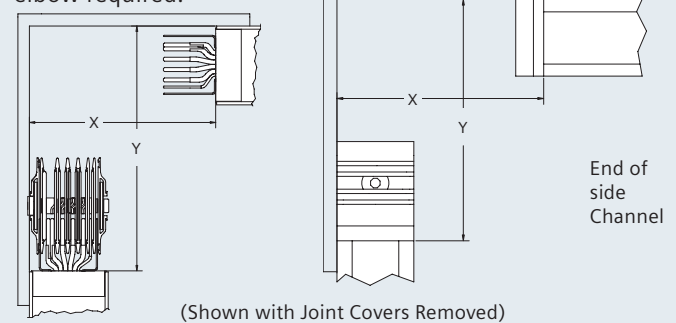
Straight Sections

Measure the distance "A" between the housings of the connecting sections. Forward this to the factory via the Power II Fit Order Form and we will calculate the length of busway required.



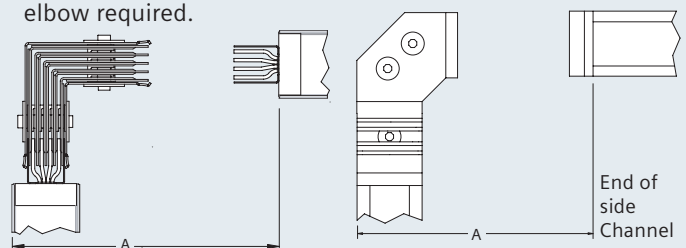
90 Degree Elbow Sections:

Measure the distance "X" and "Y" between the housings of the connecting sections. Forward this to the factory via the Power II Fit Order Form and we will calculate the lengths of elbow required.



Elbow Stacks:

Measure the distance "A" between the housings of the connecting sections. Forward this to the factory via the Power II Fit Order Form and we will calculate the lengths of elbow required.



Date: _____

SO#: _____

Project Name: _____

Contact Name: _____

Phone: _____

Fax: _____

Item(s) ordered: 1. _____

2. _____

3. _____

Required ship date: _____

Shipping Method: (choose one)

Standard

Air Freight (additional cost)

DWG#: _____

Cat#: _____

4. _____

5. _____

Indicate NP (Nameplate) side of busway as pictured by placing a (x) beside the Top and Btm fields provided.

Use: To Indicate Ground Side

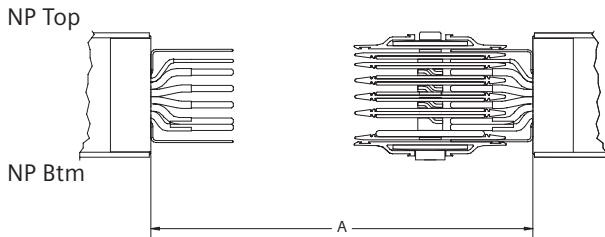
Refer to busway brochure for minimum and maximum dimensions.

Feeder Busway

Available in lengths

From 1'6" to 10'

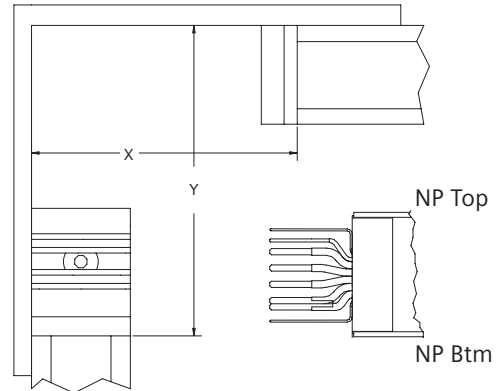
Dim. "a" (Min. 26.5")



NP	Top ___ Btm ___	Top ___ Btm ___	Top ___ Btm ___
Dim	A _____	A _____	A _____
Qty	_____	_____	_____

Flat Elbows

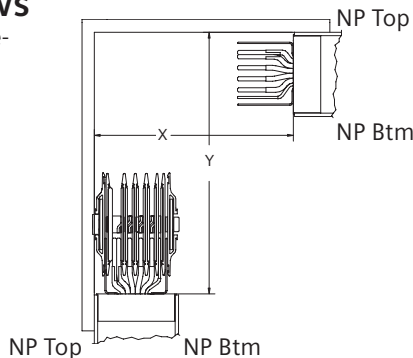
Indicate the name-plate side of the elbow as pictured



NP	Top ___ Btm ___	Top ___ Btm ___	Top ___ Btm ___
Dim	X _____	X _____	X _____
Dim	Y _____	Y _____	Y _____
Qty	_____	_____	_____

Edge Elbows

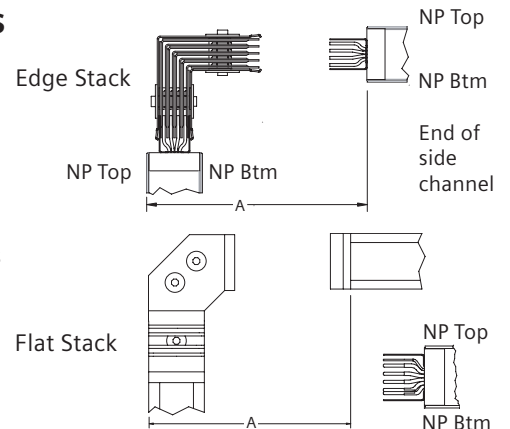
Indicate the name-plate side of the elbow as pictured



NP	Top ___ Btm ___	Top ___ Btm ___	Top ___ Btm ___
Dim	X _____	X _____	X _____
Dim	Y _____	Y _____	Y _____
Qty	_____	_____	_____

Elbow Stacks

Indicate the name-plate side of the elbow as pictured



NP	Top ___ Btm ___	Top ___ Btm ___	Top ___ Btm ___
Dim	A _____	A _____	A _____
Qty	_____	_____	_____

**Published by
Siemens 2018**

Siemens Industry, Inc.
5400 Triangle Parkway
Norcross, GA 30092

1-800-241-4453
info.us@siemens.com

Printed in USA
All rights reserved
Order No. BUBR-POWER-0318-CP
© 2018 Siemens Industry, Inc.
usa.siemens.com/busway

The technical data presented in this document is based on an actual case or on as-designed parameters, and therefore should not be relied upon for any specific application and does not constitute a performance guarantee for any projects. Actual results are dependent on variable conditions. Accordingly, Siemens does not make representations, warranties, or assurances as to the accuracy, currency or completeness of the content contained herein. If requested, we will provide specific technical data or specifications with respect to any customer's particular applications. Our company is constantly involved in engineering and development. For that reason, we reserve the right to modify, at any time, the technology and product specifications contained herein.