

# SURGE PROTECTIVE DEVICE (SPD) WEIGHTS & DIMENSIONS

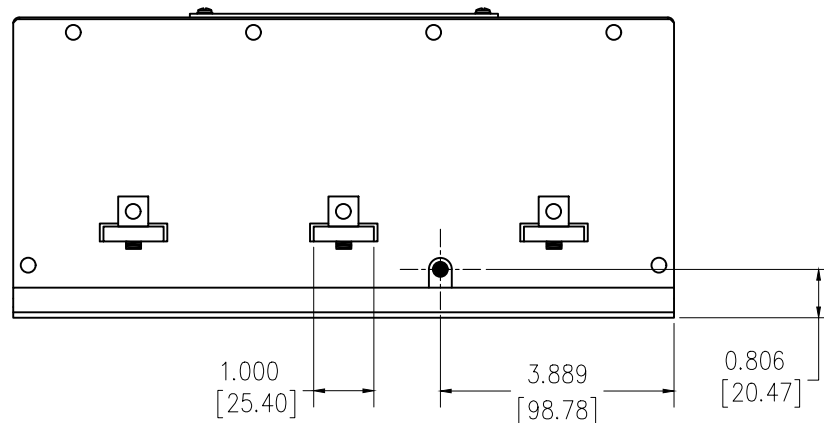
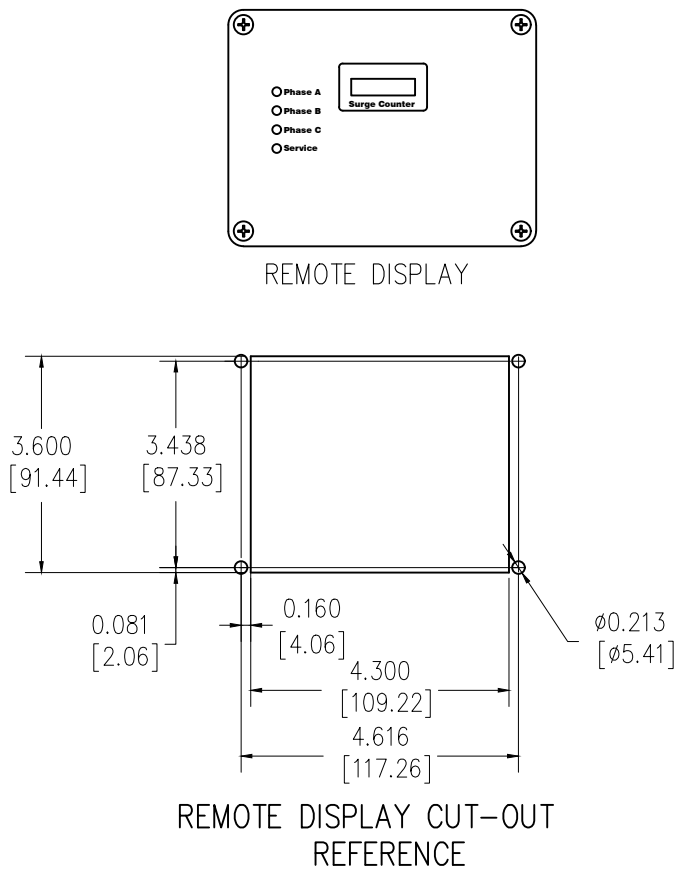
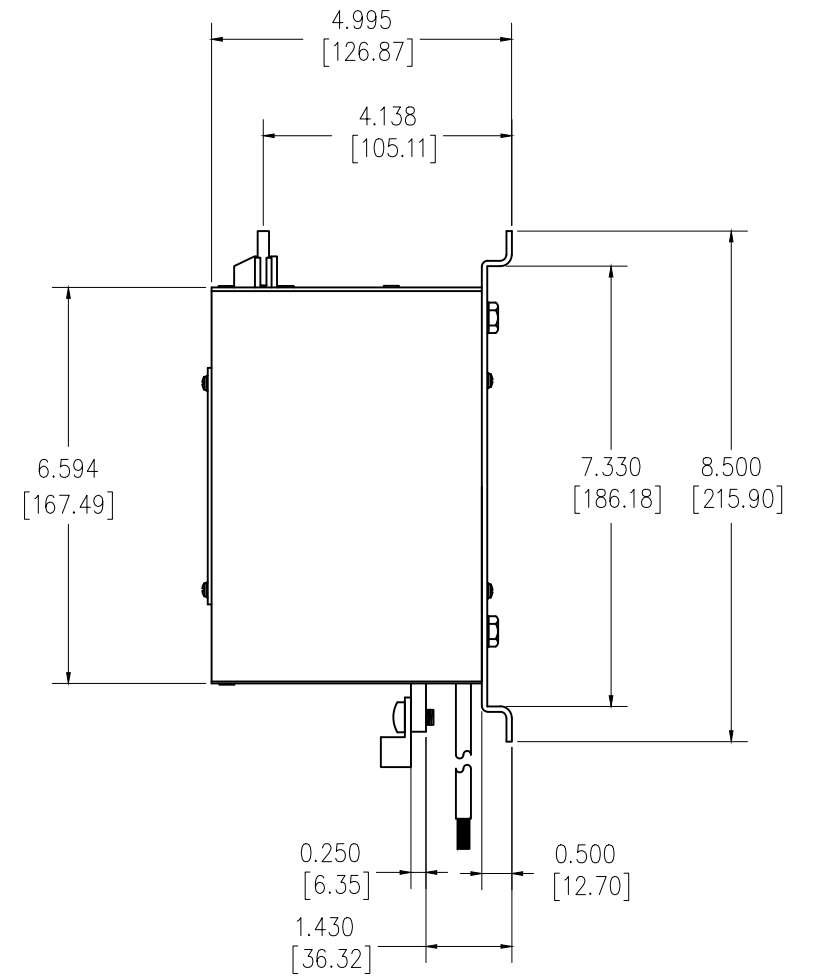
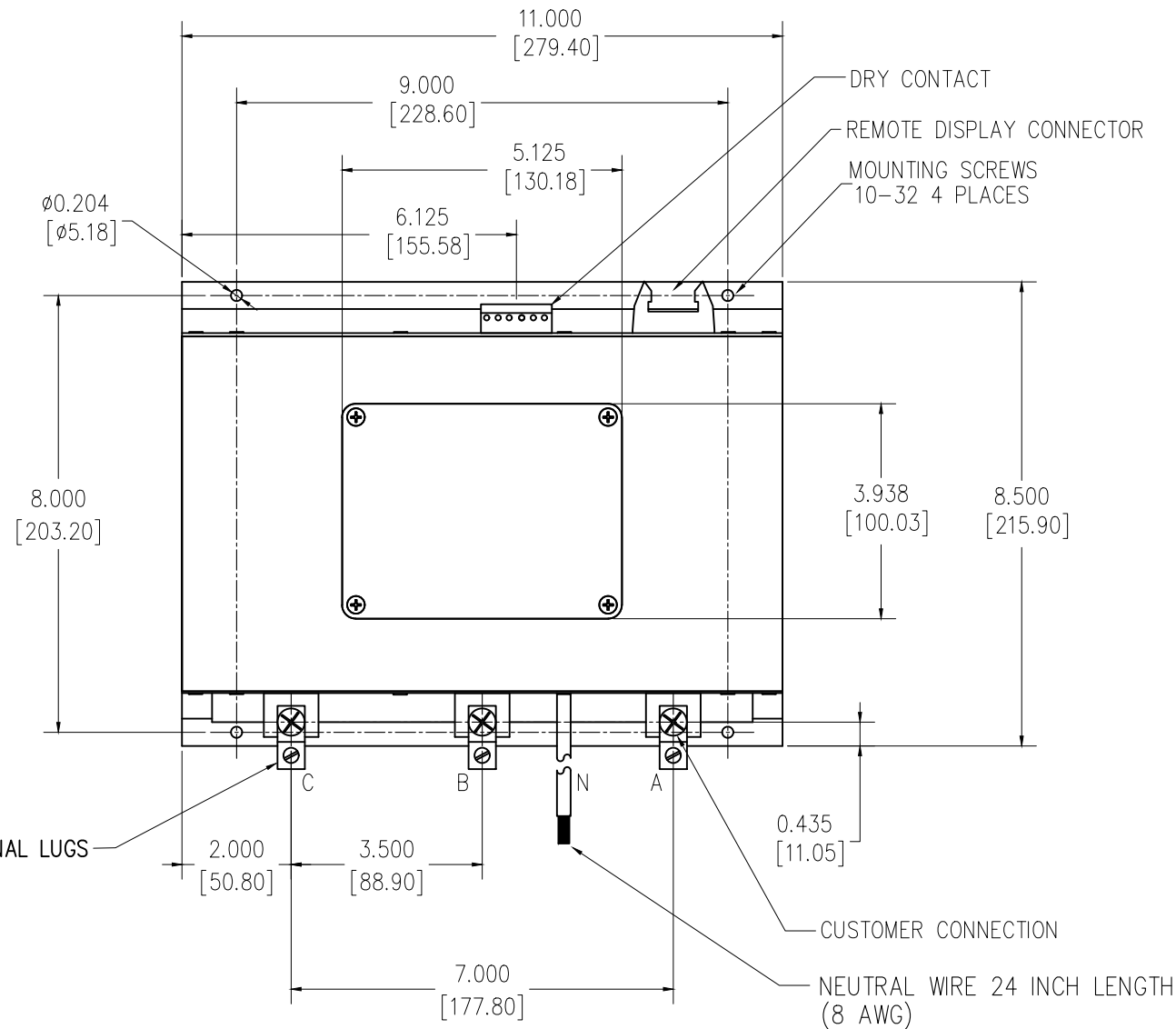
Third Angle Proj

Rev -

Sht 1

Dwg. No. SIE\_DW\_TPS30650-P

BORDERD Autocad filename: SIE\_DW\_TPS30650-P



SPECS.  
 DESC: TPS3-06-POWER MODULE SERIES SPD MODULE WITH OPTION (P) POWER MODULE  
 KA RATING: 400-500  
 In RATING: 20KA  
 OVERALL DIM: 11"L x 8.5"W x 5"D  
 ENCL. MAT: ALUMINUM, 16 GAUGE  
 FINISH: BLACK ANNOIDIZED  
 NEMA RATING: 1  
 DEVICE WEIGHT: 6.55 LBS. (2.97 KG.)

Date	Unless otherwise specified dimensions are in inches. Tolerances are non-cumulative and are as follows unless specified otherwise.		Confidential - Property of Siemens Industry, Inc. Building Technologies Division
	.XX	± .020	
C.N.	.XXX	± .005	TPS3-06- P OPTION 400-500K SPD MODULE
	Angular	± 2'	
Rev	Do not scale drawing		DWG NO. SIE_DW_TPS30650-P
	△ - Denotes latest changes. □ - Critical dimension.		
SCALE NONE			SHEET 1 of 1