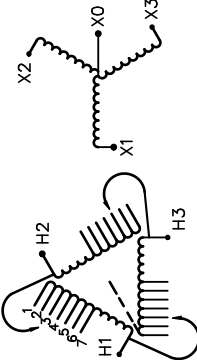


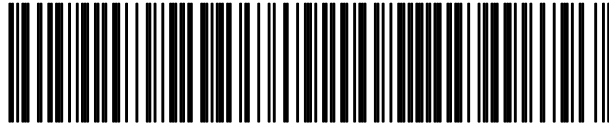


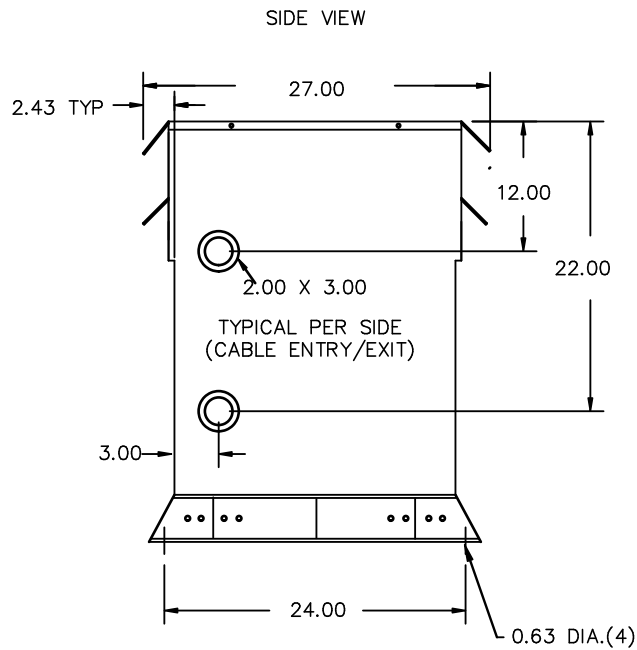
REVISION	DATE	BY	DATE	BY
		DRAWN	17/02/03	RM
		CHEK'D		
		VERIF'D		

Confidential - Property of Siemens Industry, Inc.	
CUSTOMER	
ORDER NO.	DWG. NO.
	3F3Y075K13FCLN5D16 SH 1 OF 2

SIEMENS

<p>CATALOG NO. 3F3Y075K13FCLN5D16 SERIAL NO. SERIES H 75 kVA 60 Hz 3 PHASE 2.3 % IMP AT 135 °C</p> <p>115 °C RISE 30 °C AVG. AMBIENT 220 °C TEMP CLASS 40 °C MAX. AMBIENT</p> <p>PRIMARY (H1 H2 H3) 480 V 10 kV BIL SECONDARY(X0 X1 X2 X3) 208Y/120 V 10 kV BIL</p> <p>WINDING MATERIAL CU</p> <p>ENCLOSURE TYPE 3R WEIGHT 775 LBS</p> <p>ENERGY EFFICIENCY EXCEEDS CSA 802.2-2012 DOE 10 CFR PART 431:2016</p> <p>SPACINGS BETWEEN ANY VENTILATED ENCLOSURE PANEL AND ANY ADJACENT WALL SHALL BE A MINIMUM OF 5 INCHES EXCEPT WHEN WALL MOUNTED USING APPROVED WALL MOUNTING KIT ELECTROSTATIC SHIELD SOUND LEVEL IS 5 DB LOWER THAN NEMA ST20 REQUIRMENTS</p> <p>SUITABLE FOR NONSINUSOIDAL CURRENT LOAD WITH K-FACTOR NOT TO EXCEED K-13 SUITABLE FOR INDOOR OR OUTDOOR LOCATIONS BEFORE HANDLING, INSTALLING AND OPERATING; SEE INSTRUCTION MANUAL</p> <p>NEMA Class ANN Dry Type Transformer Siemens Industry, Inc. Norcross, GA 68u0087e</p>	 <p style="text-align: center;">VOLTS CONNECT</p> <table style="margin-left: auto; margin-right: auto;"> <tr><td>1</td><td>2</td><td>3</td><td>4</td><td>5</td><td>6</td><td>7</td></tr> </table> <p style="text-align: center;">504 492 480 468 456 444 432</p>	1	2	3	4	5	6	7	<p style="text-align: center;">TYPE K</p> <div style="display: flex; justify-content: space-around;">   </div> <p style="text-align: center;">DRY TYPE TRANSFORMER 77UL5 E112313 LR 3902</p> <p style="text-align: center;">LISTED</p> <p style="font-size: small;">SEISMIC QUALIFICATIONS, FLOOR MOUNT ONLY OSP-0136-10 IBC 2012/ASCE 7-10 SDS<=2.0g z/h=1 Ip=1.5</p>
1	2	3	4	5	6	7			





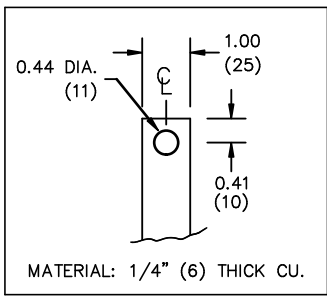
All Dimensions in inches

ENCLOSURE COLOR :ANSI 61 GREY – OUTDOOR

H.V.1. TERMINAL DETAIL

L.V.1. TERMINAL DETAIL

MECHANICAL TYPE LUGS INCLUDED
SUITABLE FOR 250MCM-6 CU/AL
CONDUCTORS
1 CONDUCTOR PER PHASE



CUSTOMER NOTES:

- HV1 TERMINATED AT TOP FRONT
- LV1 TERMINATED AT BOTTOM FRONT
- 200% RATED NEUTRAL PROVIDED

Confidential – Property of
Siemens Industry, Inc.

REVISION	DATE	BY	DATE	BY
			17/02/03	RM

CUSTOMER	
ORDER NO.	DWG. NO.
	3F3Y075K13FCLN5D16 SH 2 OF 2

0.1 rmova 2017/02/03 14:35