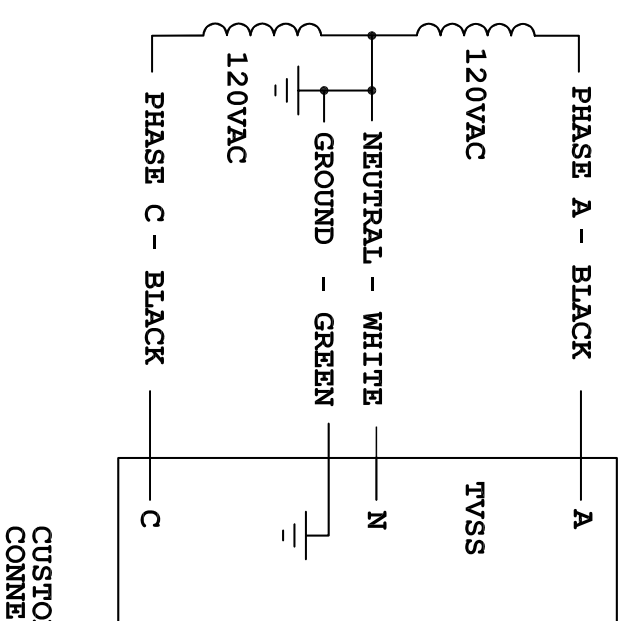
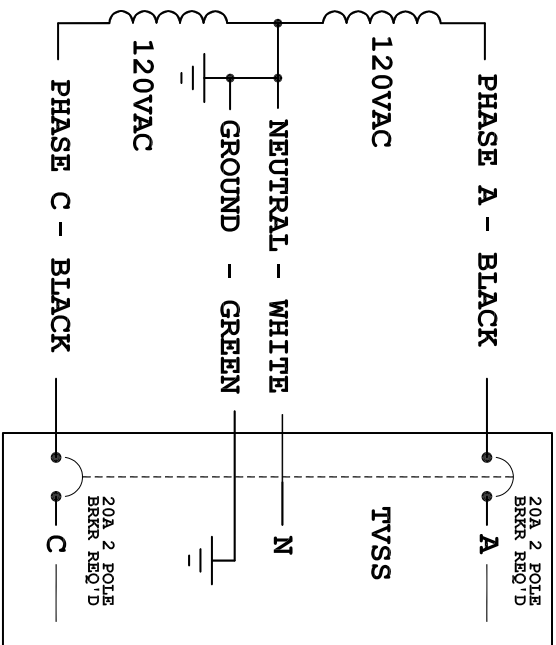
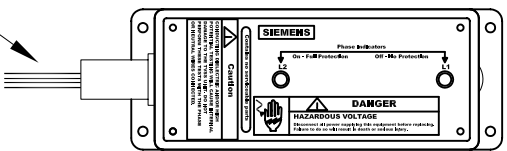


**TRANSIENT VOLTAGE SURGE SUPPRESSOR (TVSS)
TPS 9 SERIES WIRING DIAGRAMS**

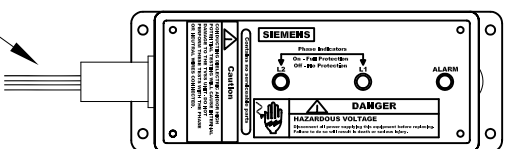


TPSA09080 - TPSA09100 - TPSA09120 - TPSA09150



TPSA9040

CUSTOMER CONNECTIONS



INSTALLATION NOTES:

2. BREAKER SIZE: 20 AMP CIRCUIT BREAKER.

SIEMENS ENERGY & AUTOMATION, INC.

MODEL NUMBER

SERVICE VOLTAGE

DWG NO. 43ATPSA9E

TPSA9040 - TPSA09080 - TPSA09100 - TPSA09120 - TPSA09150

120/240V, 1 PHASE, 3 WIRE

SERIES TPS 9