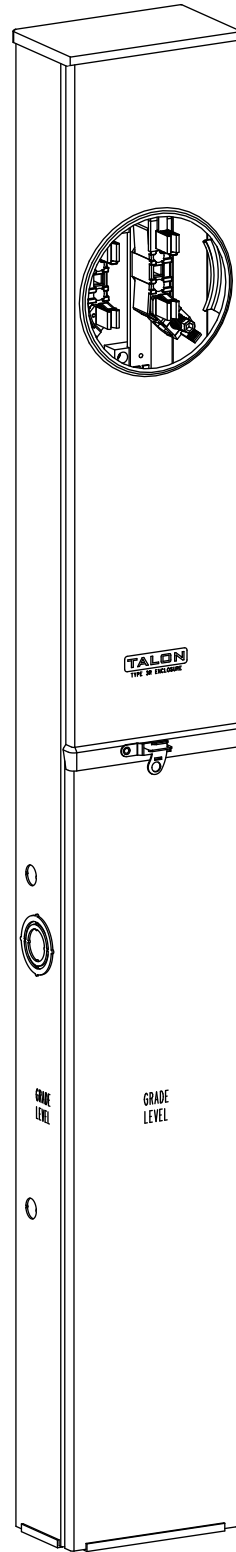


Catalog Number: UAP317-PPCH

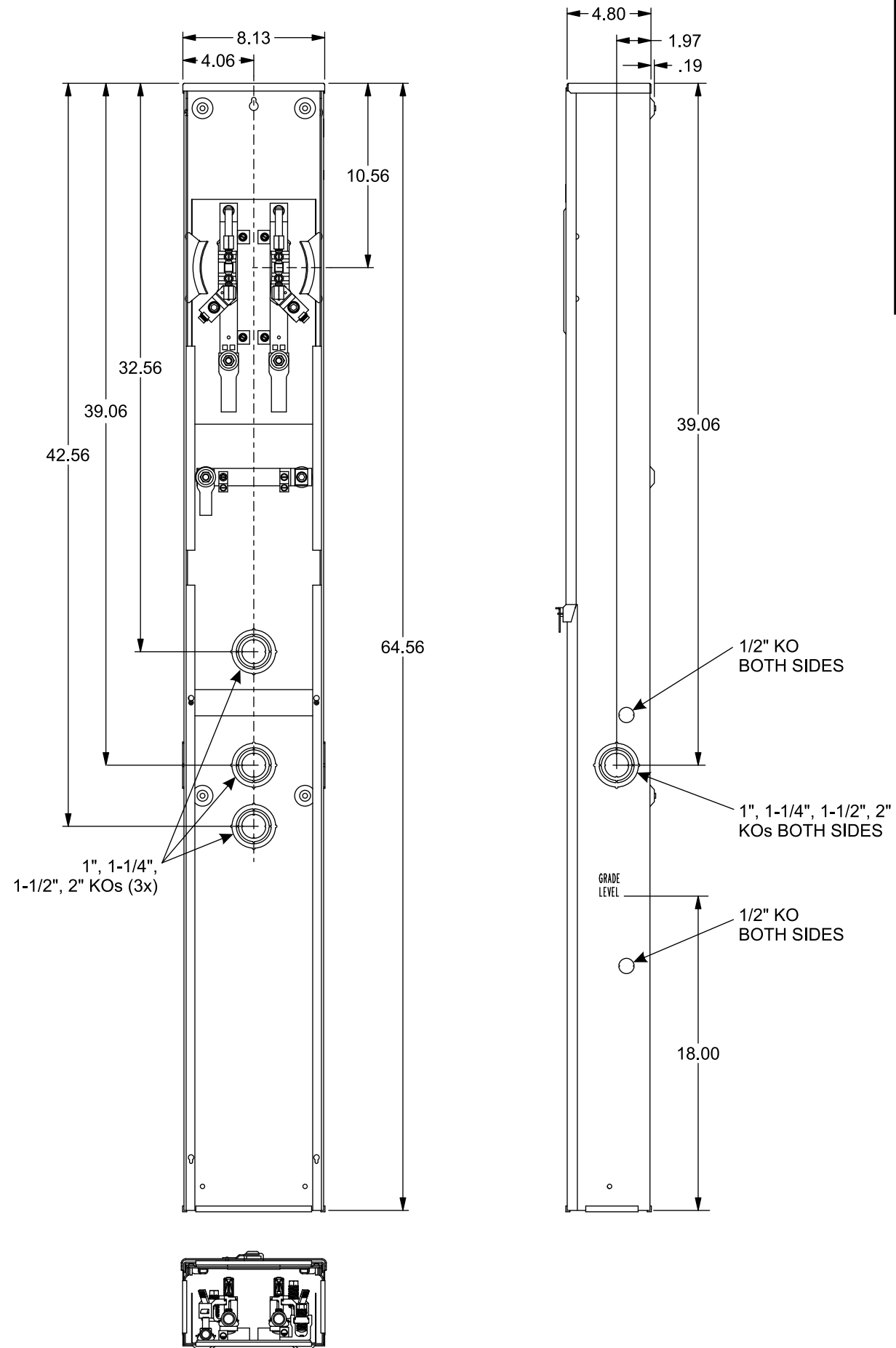
Features and Ratings



- Ringless Type Meter Socket
- 200A Continuous Rating
- 1 Phase, 3 Wire, 600V AC Max.
- 4 Jaw Meter Socket
- Horn Bypass
- Meter Socket Type UAP-3
- Pedestal Type Unit
- Underground Service Only



View Shown without Covers



Recommended or Installed Lugs/Terminals

CONNECTOR	PART No.	WIRE SIZE	TORQUE
LINE		ILSCO ACL 4/0	*
LOAD		#6-350MCM	250 IN.-LBS.
NEUTRAL	57606-K	#6-350MCM	250 IN.-LBS.
NEUTRAL		ILSCO ACL 2/0	*
GROUND	36503	#14-2 AWG	50 IN.-LBS.

*TORQUE CONNECTOR NUTS TO 250-350 IN.-LBS.

USE ILSCO ILC-12-N TOOL. USE ILD-12 DIE (1) CRIMP FOR ACL- 4/0 AND ILD-10 DIE (1) CRIMP FOR ACL-2/0. SEE ILSCO TOOLING INFORMATION FOR ADDITIONAL TOOL, DIE, AND NUMBER OF CRIMPS.

Accessories

Meter Opening Cover Plate
Cat No: H659-0162

5th Jaw Kit
Cat. No: 659-0121

© 2017 Copyright Siemens Industry, Inc.



Meter Socket Pedestal

Description: **200A Cont, 4 Jaw, Horn Bypass, Ringless UAP-3, UG, 600V AC**

KAM 3/27/17 DO NOT SCALE DRAWING Dwg No: **UAP317-PPCH**