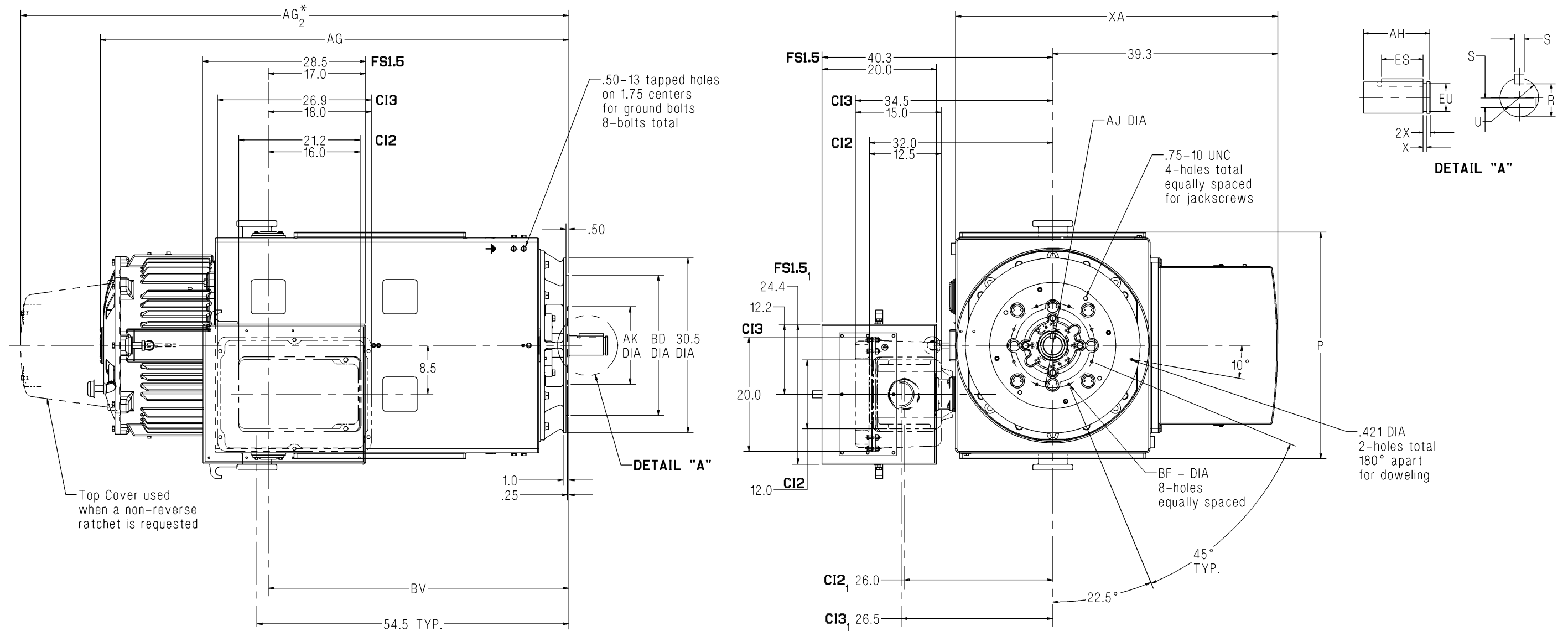


# SIEMENS

Dimension Prints for Above NEMA Motors

Type CGV - Vertical Solid Shaft - Open Drip Proof / Weather Protected Type I  
 P Flange - Anti-Friction Bearing  
 Frame 580 - 6 Pole & Slower - Rotatable Main Conduit Box



**Notes:**

1. Main conduit box may be rotated in steps of 90°. A removable bottom plate is supplied on the FS1.5 conduit box. A 5.0 N.P.T. is supplied on the CI2 and CI3 conduit boxes. A 3.0" spacer is supplied on the 580 frame for the FS1.5 conduit box.
2. AG\* = Length of motor from mounting face to end of top cover when a non-reverse ratchet is requested.
3. Machines may rotate in either direction, except when non-reverse ratchet is specified.
4. Adding a rotating labyrinth seal to the drive end does not change any dimensions.

**Standard Dimensions in Inches**

Frame	AG	AG* <sub>2</sub>	Standard										Alternate				Approx. Ship Wt. (Lbs)				
			AH	BV	ES	EU	R	S	U	X	P	XA	BD	AJ	AK	BF					
580	81.3	98.0	7.00	52.5	4.50	3.375	3.309	1.000	3.875	0.500	39.5	56.3	30.5	26.0	22.0	0.812	24.5	14.75	13.5	0.812	9000

**Certification:** Customer \_\_\_\_\_ P.O. \_\_\_\_\_ S.O. \_\_\_\_\_ Item \_\_\_\_\_  
 HP \_\_\_\_\_ RPM \_\_\_\_\_ Frame \_\_\_\_\_ PH/HZ/Volts 3/\_\_\_\_\_/\_\_\_\_\_  
 By \_\_\_\_\_ Date \_\_\_\_\_ Terminal Box Size CI2  CI3  FS1.5   
 Comments \_\_\_\_\_  
 Not for construction, installation or application purposes unless certified.

CGV\_580\_6plusPL\_AF\_ROT  
 Revision 02  
 02/06/09