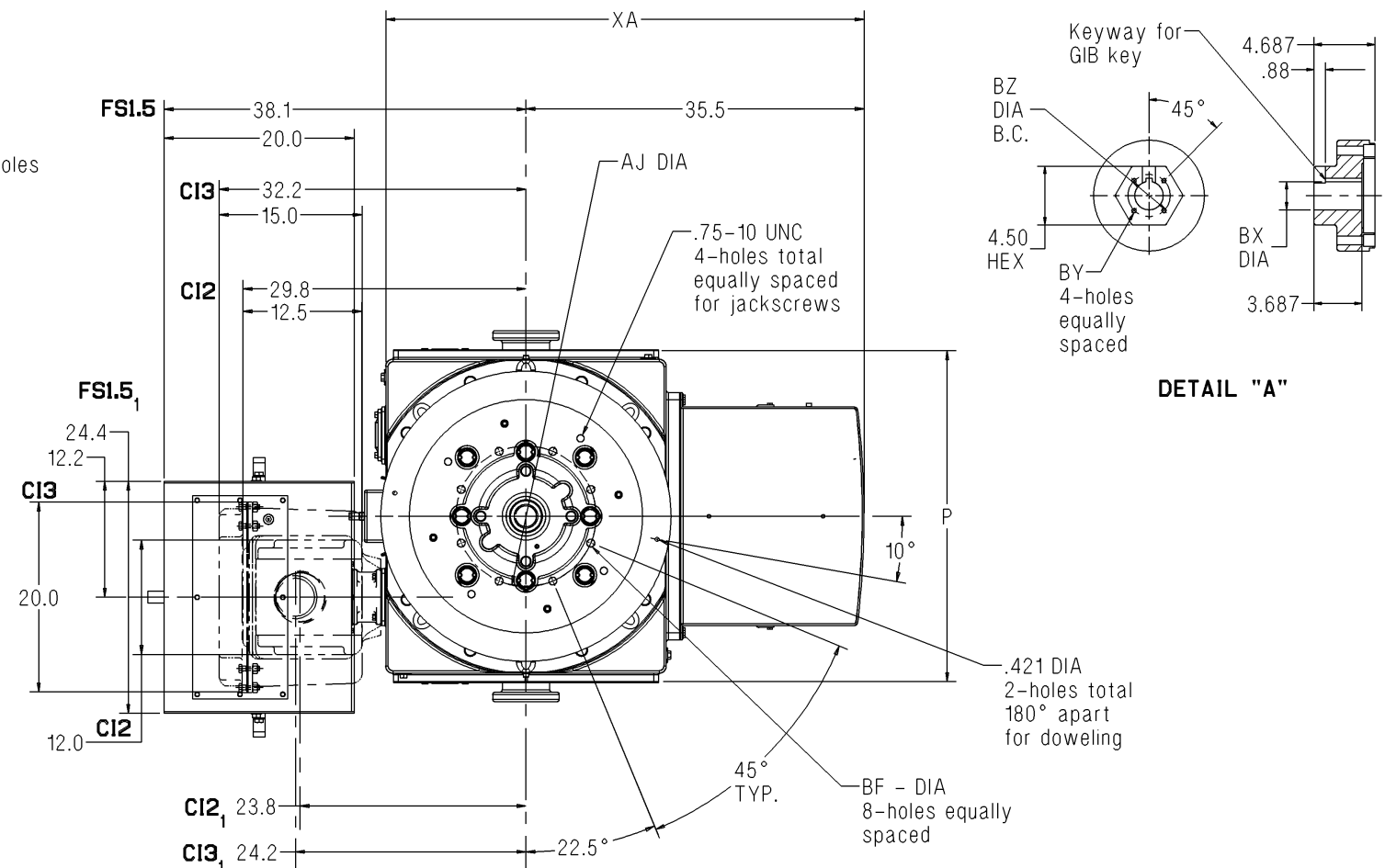
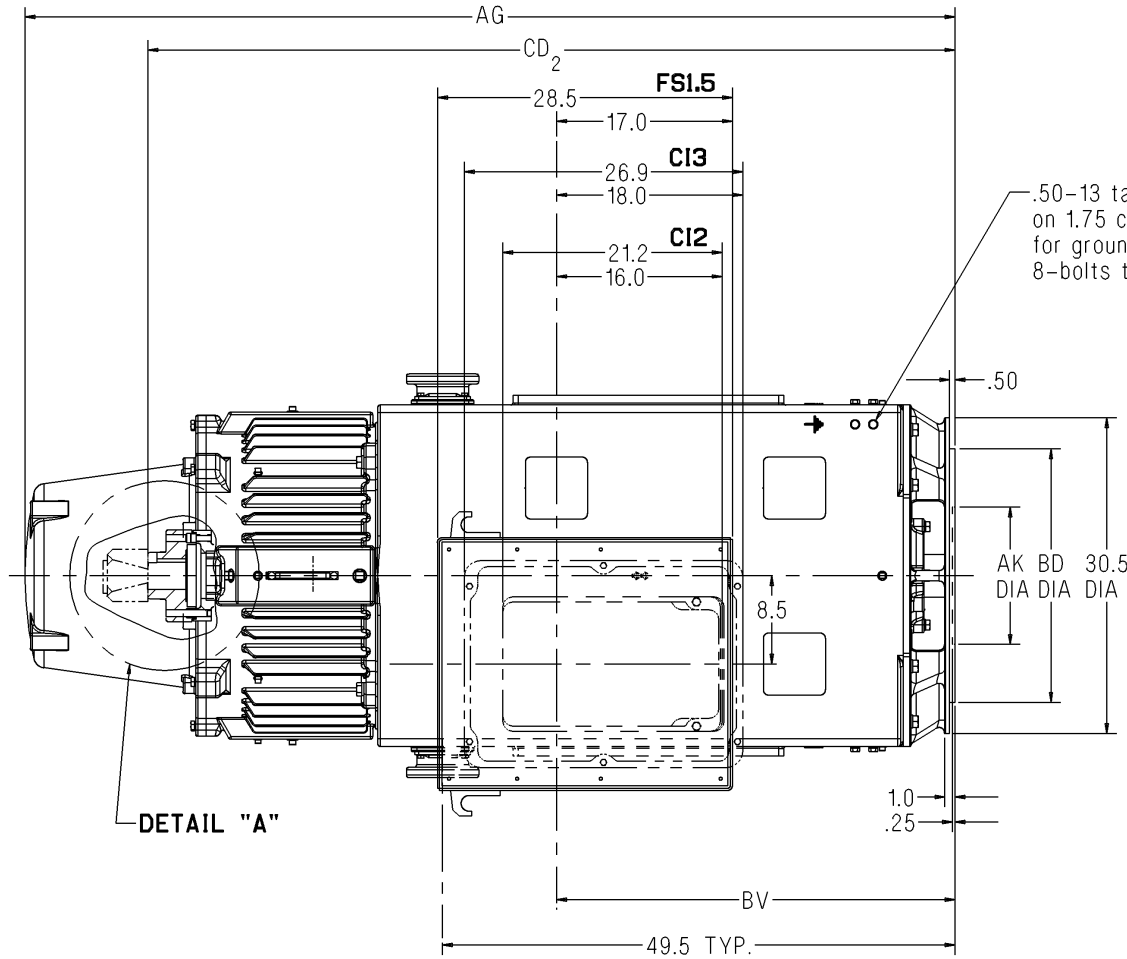


# SIEMENS

Dimension Prints for Above NEMA Motors

Type CGHS - Vertical Hollow Shaft - Open Drip Proof / Weather Protected Type I  
 P Flange - Anti-Friction Bearing  
 Frame 500 - 4 Pole & Slower - Rotatable Main Conduit Box



- Notes:**
- Main conduit box may be rotated in steps of 90°. A removable bottom plate is supplied on the FS1.5 conduit box. A 5.0 N.P.T. is supplied on the C12 and C13 conduit boxes. A 3.0" spacer is supplied on the 500 frame for the FS1.5 conduit box.
  - CD dimension is a maximum value. Actual dimension will vary with bearing selection. Consult factory for specific dimension.
  - Machines may rotate in either direction, except when non-reverse ratchet is specified.
  - Adding a rotating labyrinth seal to the drive end does not change any dimensions.
  - Pump shaft adjusting nut and locking screws are not supplied with machine.

Standard Dimensions in Inches

Frame	AG	CD <sub>2</sub>	BV	P	XA	Standard				Alternate				Approx. Ship Wt. (Lbs)
						BD	AJ	AK	BF	BD	AJ	AK	BF	
500	92.0	86.3	38.5	35.0	50.3	30.5	26.0	22.0	0.812	24.5	14.75	13.5	0.812	6900

Standard Bore Sizes			
BX	BY	BZ	Key
1.688	.25-20	2.5	0.375
1.938	.25-20	2.5	0.5
2.188	.375-16	3.25	0.5
2.438	.375-16	3.75	0.625
2.501	.375-16	3.75	0.625
2.688	.375-16	3.75	0.625

**Certification:** Customer \_\_\_\_\_ P.O. \_\_\_\_\_ S.O. \_\_\_\_\_ Item \_\_\_\_\_  
 HP \_\_\_\_\_ RPM \_\_\_\_\_ Frame \_\_\_\_\_ PH/HZ/Volts 3/\_\_\_\_\_/\_\_\_\_\_  
 By \_\_\_\_\_ Date \_\_\_\_\_ Terminal Box Size C12  C13  FS1.5   
 Comments \_\_\_\_\_  
 Not for construction, installation or application purposes unless certified.

CGHS\_500\_4plusPL\_AF\_ROT  
 Revision 01  
 02/06/09