

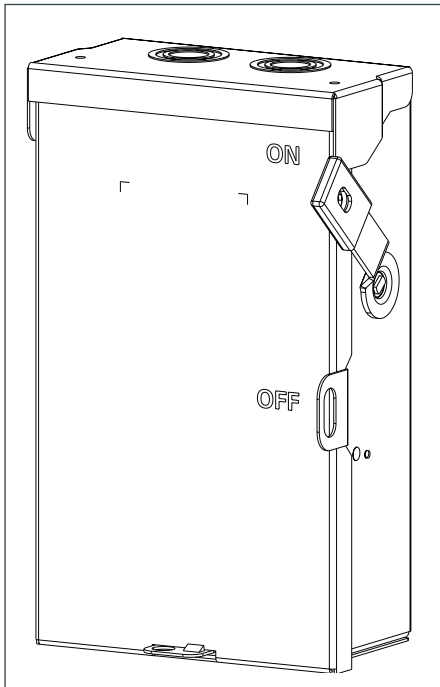
SIEMENS

Data Sheet

VBI General Duty Safety Switch

60A, 240V, Type 1 Fusible

usa.siemens.com/switches



Standards and Ratings

- UL Listed under file #E4776
- Meets UL98 for switches and UL 50 for enclosures
- Meets NEMA Standard KS-1 for enclosed switches
- Meets NEC wire bending space requirements
- Suitable for use as service entrance equipment
- Meets 2020 NEC 230.62 with addition of line side barrier kit (listed as accessory below)

Features

- Rated 10,000 AIC with Class K fuses or H fuses or rated 100,000 AIC with Class R fuses
- Quick-make and break switching action
- Double break visible blade design

Product Specifications

General Duty 60A, 240V, Type 1, Fusible

General Information

| Catalog Number | Description | Shipping Weight (lbs.) (std. package qty.) |
|----------------|------------------------------|--|
| GF322NA | General Duty Enclosed Switch | 20 (5) |

Horsepower Ratings

| 250V DC | | 1 Phase, 240V AC | | 3 Phase, 240V AC | |
|---------|-----|------------------|-----|------------------|-----|
| Std | Max | Std | Max | Std | Max |
| 10 | — | 3 | 10 | 7.5 | 15 |

Mechanical Lug Wire Range ²

| Description | Wire Range with Wire Bending Space per NEC [®] requirements | Lug Wire Range |
|-------------------------|--|----------------|
| Line and Load Terminals | 14 - 6 AWG | 14 - 2 AWG |
| Neutral | 14 - 6 AWG | 14 - 4 AWG |

¹ Use closure plate screws provided to mount hubs.

² See "Wire Torque Information" table for specific wire torque values.

³ Use Cu 75° C Wire.

⁴ Internal shield which meets 2020 NEC 230.62 line side barrier requirements for service entrance equipment.

Accessories and Hub Kits

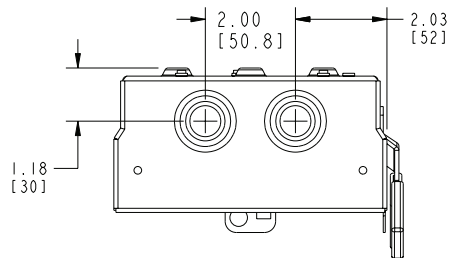
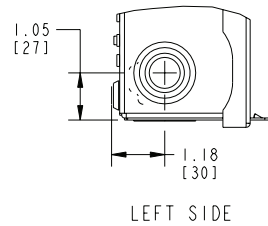
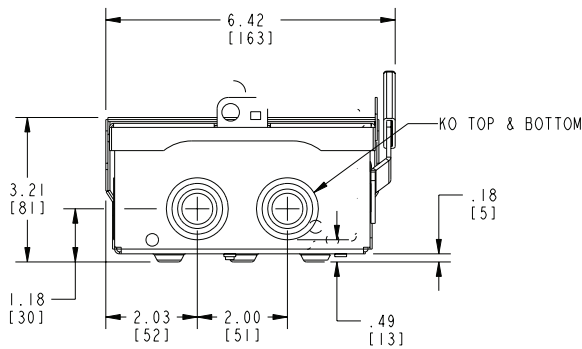
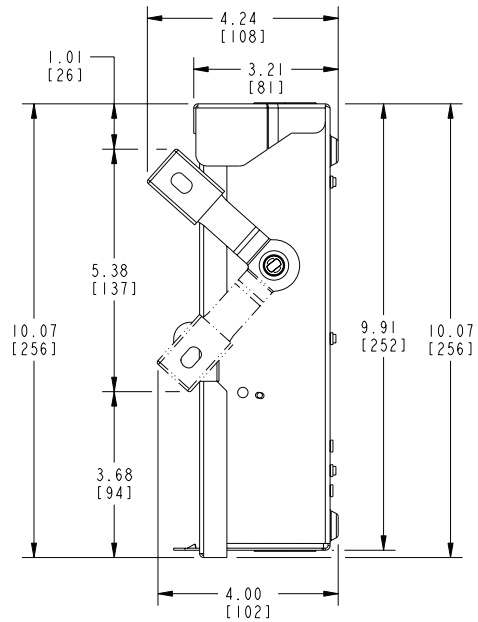
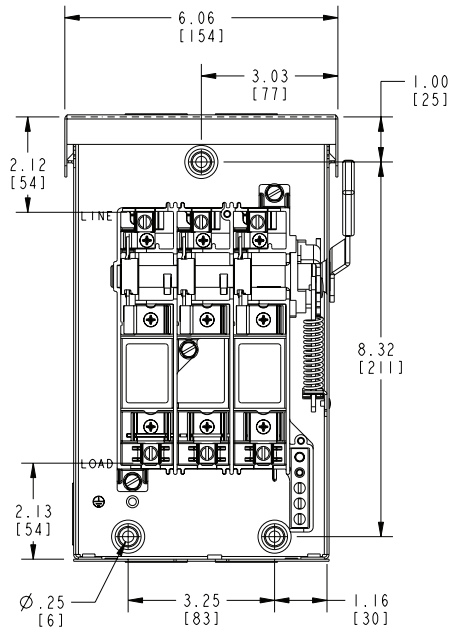
| Catalog Number | Description |
|----------------------|------------------------------------|
| HG61234 ² | Ground Lug Kit 30-200A |
| HR22A | R Fuse Kit |
| HSK22BA | Line Side Barrier Kit ⁴ |

Wire Torque Information

| Application | Wire Size | Nominal Torque |
|--|-------------|----------------|
| Mechanical Lug - Line / Load Wire Connector ³ | 14 - 10 AWG | 35 lb.-in. |
| | 8 AWG | 40 lb.-in. |
| | 6 AWG | 45 lb.-in. |
| Mechanical Lug - Neutral Wire Connector ³ | 14 - 8 AWG | 20 lb.-in. |
| | 8 AWG | 25 lb.-in. |
| | 6 AWG | 35 lb.-in. |

Dimension Drawings

General Duty 60A, 240V, Type 1, Fusible



TYPE 1 ENCLOSURES:
 COLD ROLLED STEEL
 .045" THICK
 FINISH: ANSI GREY #61 PAINT
 WIRE BEND (LINE & LOAD): 2.0"
 CONCENTRIC KO CONDUIT SIZES:
 1/2", 3/4", 1"

Published by
 Siemens Industry, Inc. 2021.

Siemens Industry, Inc.
 3617 Parkway Ln
 Peachtree Corners, GA 30092

For more information, please contact
 our Customer Support Center.
 Phone: 1-800-241-4453
 E-mail: info.us@siemens.com

usa.siemens.com/switches

Order No.: SSFL-GF613-0521
 Printed in U.S.A.
 © 2021 Siemens Industry, Inc.

The technical data presented in this document is based on an actual case or on as-designed parameters, and therefore should not be relied upon for any specific application and does not constitute a performance guarantee for any projects. Actual results are dependent on variable conditions. Accordingly, Siemens does not make representations, warranties, or assurances as to the accuracy, currency or completeness of the content contained herein. If requested, we will provide specific technical data or specifications with respect to any customer's particular applications. Our company is constantly involved in engineering and development. For that reason, we reserve the right to modify, at any time, the technology and product specifications contained herein.