

SIEMENS

SEBKP2V3

Installation Instructions for Service Entrance Barrier Kits for Horizontally-Mounted FD, CFD, QJ or QR Main Breakers in P2 or P3 Panels



This instruction sheet is to support the field installation of Service Entrance Barrier Kits in Siemens P2 or P3 Panelboards with or without SEM3. Kit SEBKP2V3 is for a Horizontally-mounted Type FD, CFD, QJ or QR Main Breaker. This covers both single and three phase panels, either top-fed or bottom-fed.

1. Lock off ALL power supplying this equipment before working on it.
2. Remove the panelboard front cover and deadfront.

For installation onto QJ or QR Main in a P2:

The black barrier is perforated to allow for installer to tear off a strip by hand for better fit (See Fig. 1). Carefully rip off this strip of black barrier material.

OTHERWISE PROCEED TO STEP 3

3. Identify the base rail on the Service Terminal End of the Service Main this will be added to. On top-fed units, the service terminals are in the upper left corner; on bottom-fed units, the service terminals are in the lower right corner.

For installation onto FD Main in a P3:

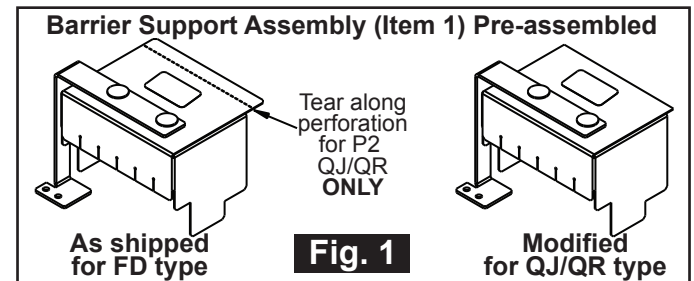
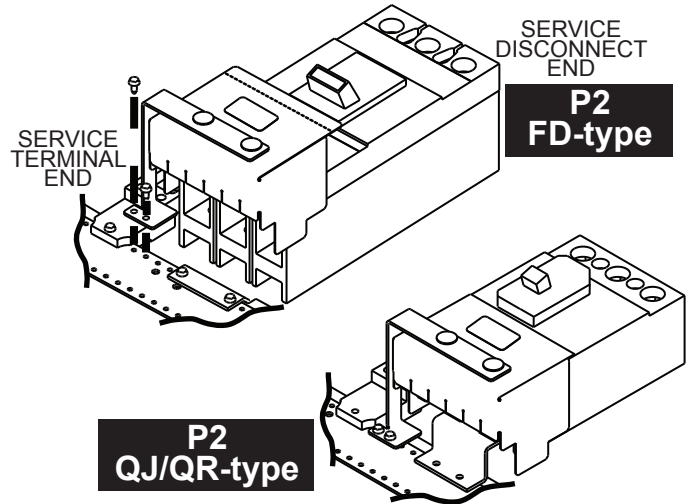
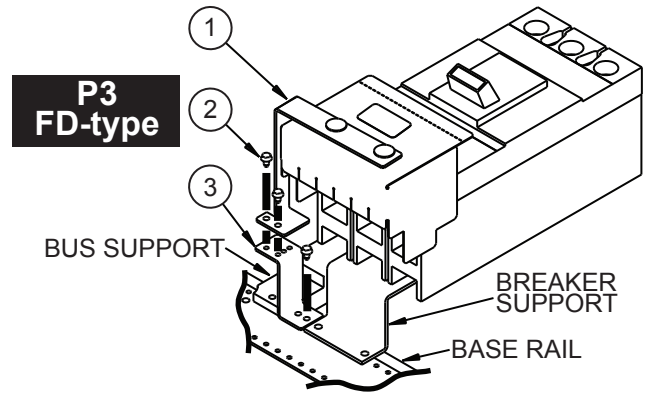
This kit includes a P3 Adapter (Item 3) for the deeper P3 panelboards. Locate it to the Base Rail as shown (top image) by laying the adapter base (with 2 holes) perpendicular to but touching the Breaker Support. Mount by driving screw (Item 2) thru aligned holes.

OTHERWISE PROCEED TO STEP 4

4. Place the base of the Barrier Support Assembly (Item 1) on the base rail against the side of the Bus Support (or for an FD in a P3, properly onto the P3 Adapter). Ensure the barrier covers the previously exposed breaker lugs.
5. Drive the metal screws (Item 2) through the properly aligned holes of the bracket base and into the Base Rail (or P3 Adapter for Type FD P3). Tighten the screws to 20 lb-in.
6. **Before energizing the panel**, ensure that ALL connections have been properly torqued, that the barrier is in place and secure, that the deadfront is installed and that all fillers are in place.

THIS KIT CONTAINS THE FOLLOWING ITEMS:

ITEM	DESCRIPTION	QTY
1	Barrier Support Assembly	1
2	#8-32 x 9/32" IHWSW Screw	3
3	P3 Adapter	1



These instructions do not purport to cover all details or variations in equipment, or to provide for every possible contingency to be met in connection with installation, operation or maintenance. Should further information be desired or should particular problems arise, which are not covered sufficiently for the purchaser's purposes, the matter should be referred to the local Siemens sales office. The contents of this Instruction manual shall not become part of or modify any prior or existing agreement, commitment or relationship. The sales contract contains the entire obligation of Siemens. The warranty contained in the contract between the parties is the sole warranty of Siemens. Any statements contained herein do not create new warranties or modify the existing warranty.

Trademarks-Unless otherwise noted, all names identified by ® are registered trademarks of Siemens AG or Siemens Industry, Inc. The remaining trademarks in this publication may be trademarks whose use by third parties for their own purposes could violate the rights of the owner.