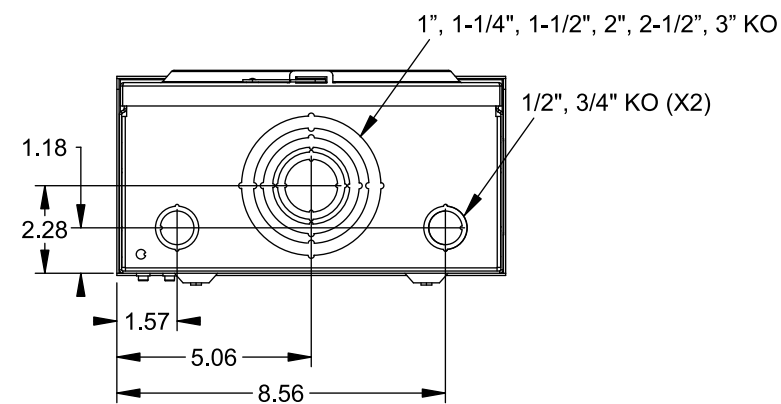
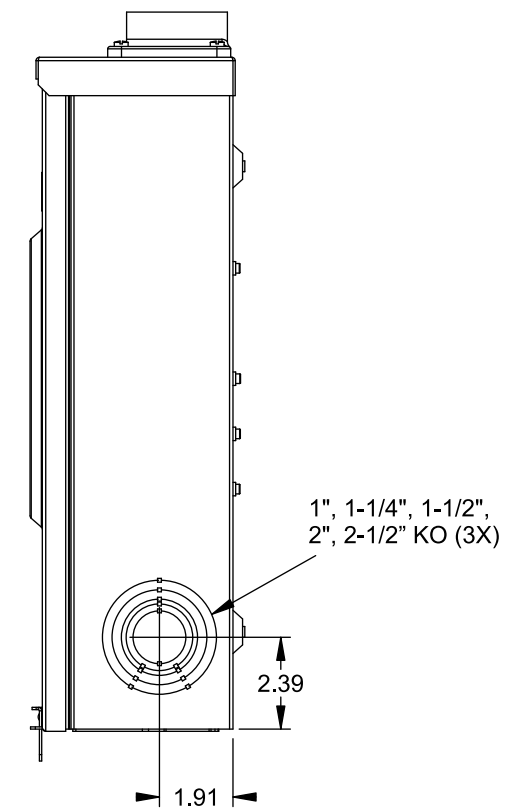
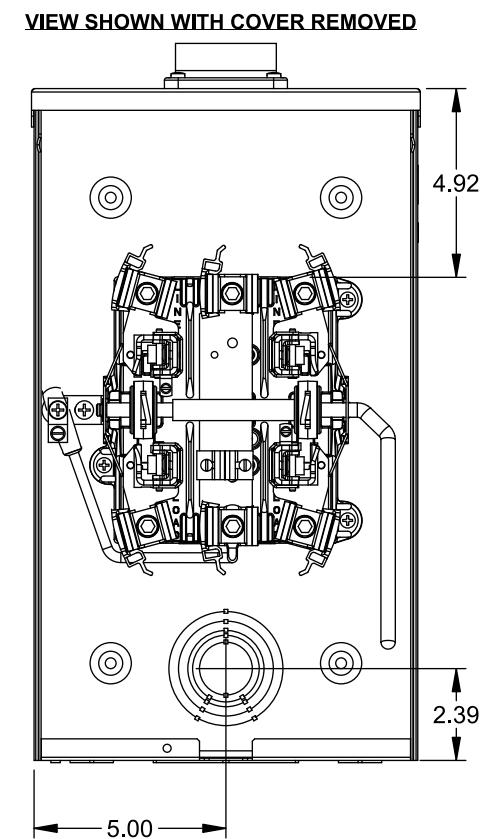
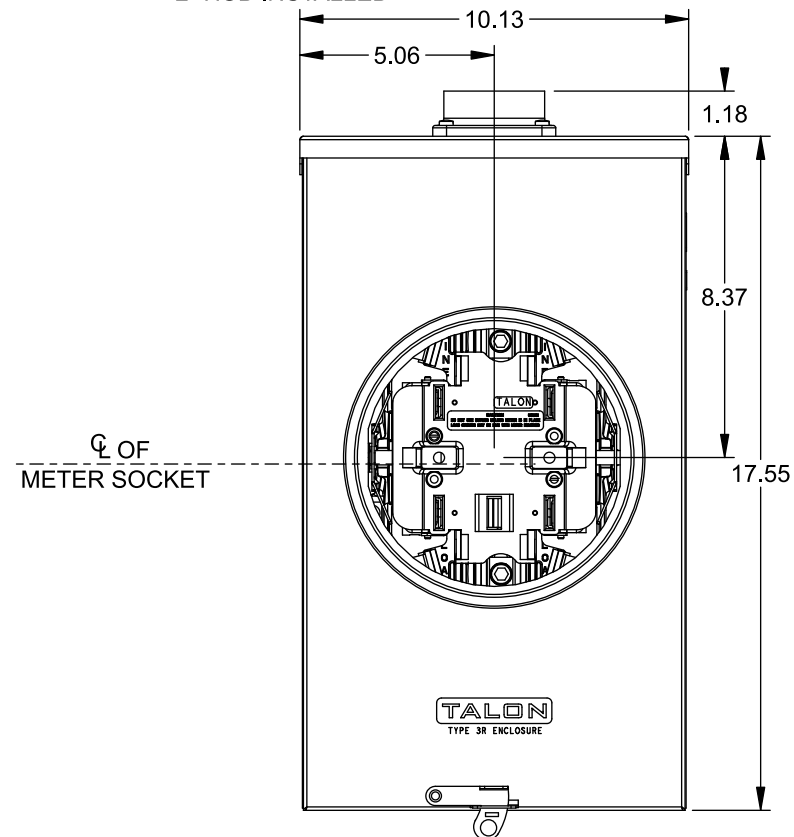
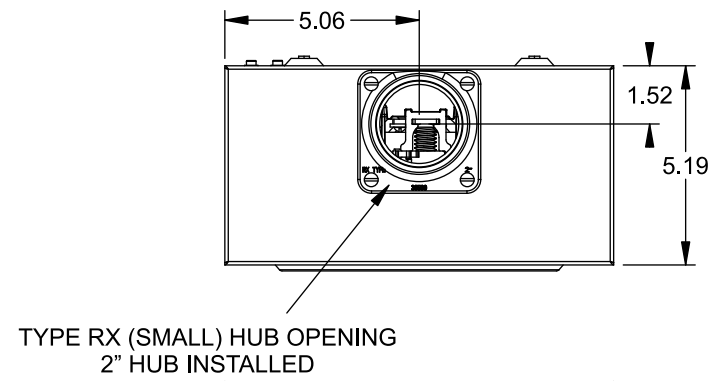
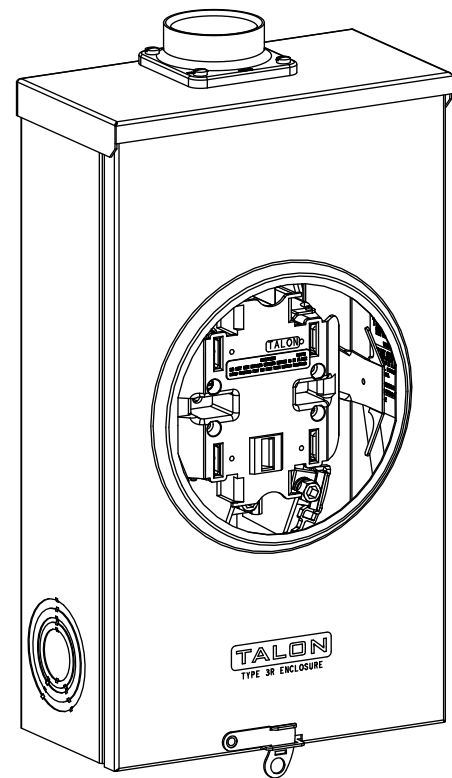


# Catalog Number: 40025-02

## Features and Ratings

- Ringless Type Meter Socket
- 200A Continuous, 200A Max., 600V AC
- Outdoor Enclosure (NEMA Type 3R)
- Painted Steel Enclosure
- 1 Phase, 3-Wire
- 5 Jaw Meter Socket, 5th Jaw Kit @ 6 o'clock Position
- Meter Socket Type HQ-5
- For Overhead Service Only
- Small Hub Opening, RX Type 2" Hub Installed
- Lever Bypass
- One Ground Lug Installed



## Accessories

| CONDUIT HUBS (RX Type) |                     |
|------------------------|---------------------|
| TRADE SIZE             | CATALOG No.         |
| 1-1/4 INCH             | EC38597 or H38597-2 |
| 1-1/2 INCH             | EC38598 or H38598-2 |
| 2 INCH                 | EC38599 or H38599-2 |
| 2-1/2 INCH             | EC38600 or H38600-2 |

Hub Cover Plate EC38595 or H38595-1

Meter Opening Cover Plate  
Cat No: H659-0162

## Connectors, Wire Sizes and Torques

| CONNECTOR            | WIRE SIZE      | TORQUE       |
|----------------------|----------------|--------------|
| LINE, LOAD, NEUTRAL* | #6 - 350 kcmil | 275 IN.-LBS. |
| GROUND               | #14 - 2 AWG    | 45 IN.-LBS.  |

\* External Hex Drive 1/2"  
\* Internal Hex Drive 5/16"

© 2015 Copyright Siemens Industry, Inc.

**TALON**  
**Meter Socket**

Description: **200A Cont, 5 Jaw, HQ-5,  
600V AC, Painted Steel Enclosure**

JEL 8/30/15 | DO NOT SCALE DRAWING | Dwg No: **40025-02**