


Installation Instructions



! DANGER

Hazardous voltage. Will cause death or severe injury.

Turn off all power supplying circuit breaker before installing this device.

Replace all covers and shields before power supplying this circuit breaker is turned on.

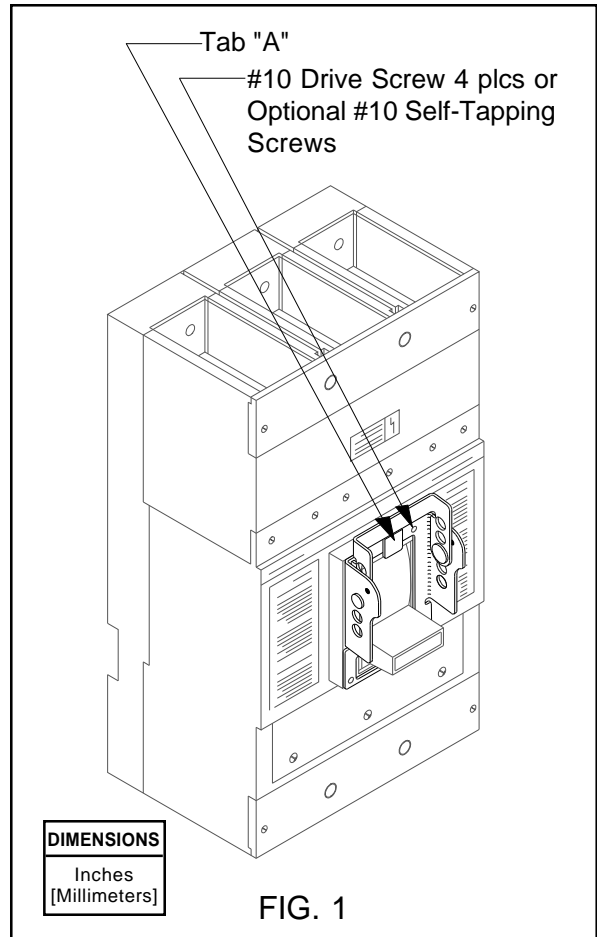


SAFETY INSTRUCTIONS

For use with Circuit Breaker and Molded Case Switch Types MD6, MXD6, HMD6, HMXD6, CMD6, SMD6, SHMD6, SCMD6, MFC, MFF, ND6, NXD6, HND6, HNXD6, CND6, SND6, SHND6, SCND6, NFC, NFF, PD6, PXD6, HPD6, HPXD6, CPD6, RD6 RXD6, HRD6, HRXD6. Types MD6ETI, CMD6ETI Motor Circuit Protectors.

NOTE: This instruction sheet outlines the recommended installation procedure.

1. Prior to installation, if padlock device will be used to lock circuit breaker in the "ON" position, remove Tab "A" (FIG. 1) by grasping tab with pliers and using an up and down motion to break tab free from bail. Remove sharp edges with file.
2. Turn off all power supplying circuit breaker before installing this device.
3. With breaker in the "OFF" position assemble padlocking device to breaker by positioning over handle as shown in FIG.1. Align mounting holes in padlocking device with holes in breaker escutcheon and insert #10 drive screw (4 plcs). Using a hammer, firmly tap screws into holes until padlocking device is secured to breaker. Optional #10 tamper proof self-tapping screws are provided and may be used in place of drive screws. Install using standard flat blade screwdriver and torque to 13-15 In.-Lbs.[1.47-1.69 N/m].
Do not over torque.



4. To padlock device in "OFF" position.
 - a. Move breaker handle to "OFF" position.
 - b. Rotate bail toward handle until .375[9.52] dia. holes are aligned.
 - c. Install padlock hasp (recommended .187[4.76] dia. minimum) through .375[9.52] dia. holes.
5. To padlock device in "ON" position.

Note: Requires removal of Tab "A" (see Step 1.)

 - a. Move breaker handle to "ON" position.
 - b. Rotate bail over handle until .375[9.52] dia. holes are aligned.
 - c. Install padlock hasp (recommended .187[4.76] dia. minimum) through .375[9.52] dia. holes.