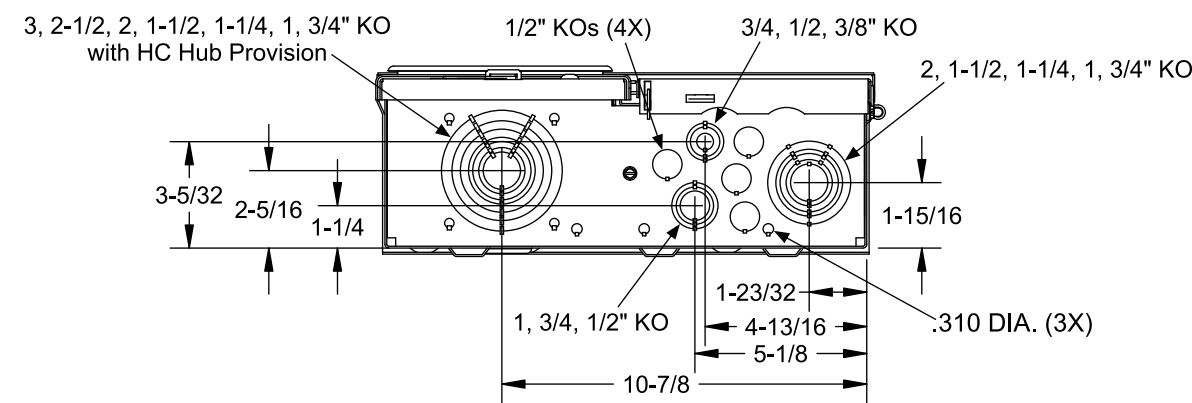
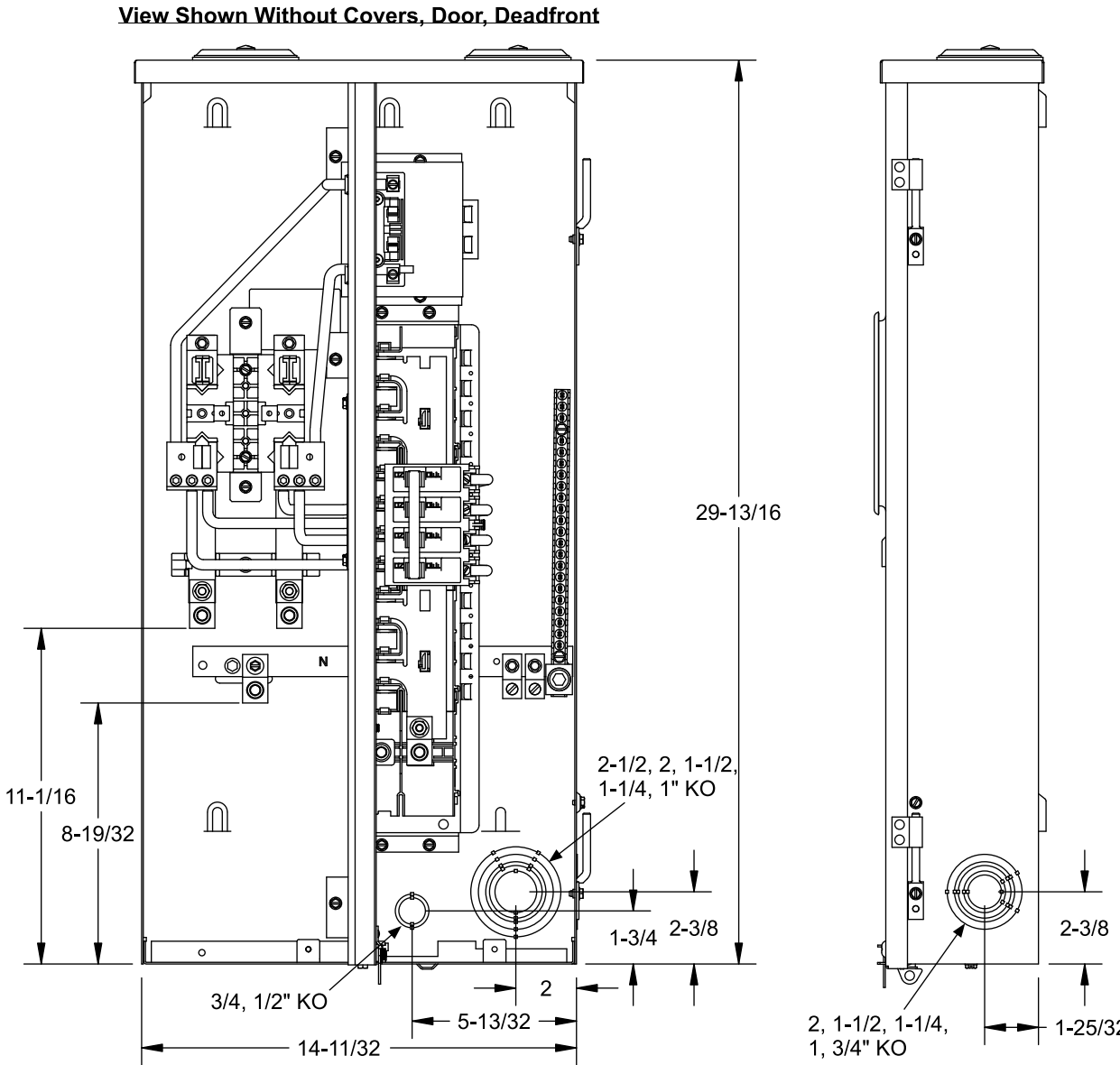
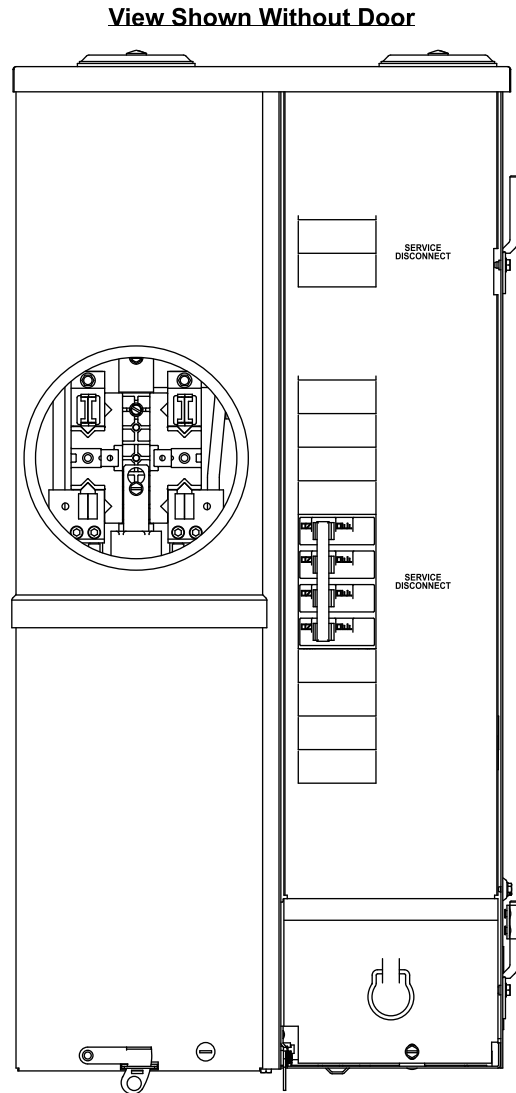


Catalog Number: MC0816B1200ESN

Features and Ratings

- Outdoor Enclosure (NEMA Type 3R)
- Ring Type Meter Cover
- Meter Socket Rating: 200A Continuous
- 250A Max, 1 Phase, 3 Wire, 120/240V~, 120/208V~
- 200A Main Breaker Installed
- Provision for 50A Max Sub-Feed Circuit Breaker
- 22,000 AIC Max. Rated (See Wiring Diagram for Details)
- (8) 1" Spaces, (16) Circuits Max.
- Feed Thru Lugs Included
- Aluminum Bus Bars
- Overhead or Underground Service Entrance
- Surface Mounting
- Complies with EUSERC Dwg. No. 301

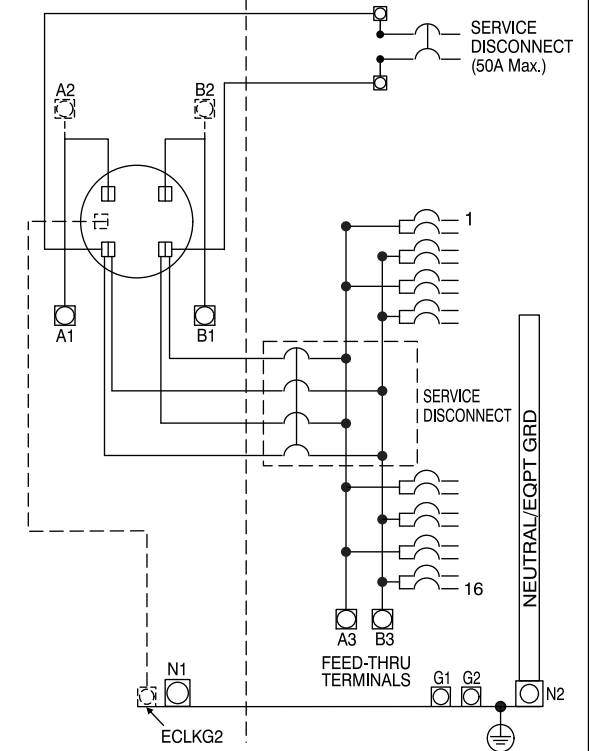


Accessories, Torques & Wire Sizes

Trade size (in)	Catalog number	Accessory	Cat. No.
RX Type Hub (top endwall)			
1 1/4"	EC38597	Filler Plate	ECQF3
1 1/2"	EC38598	5" Jaw Assembly	EMC5J
2"	EC38599	Mechanical Interlock	ECQML12
2 1/2"	EC38600	Meter Socket Jumper	ECJS
	EC38595	Interlock Kit	ECSBP02
HC Type Hub (bottom endwall)			
2"	ECHC200		
2 1/2"	ECHC250		
3"	ECHC300		

Lug Kit	Wire Range	Torque
ECLK1-2	2/0 - #2	45 lb in
ECLK2	2/0 - #4	135 lb in
ECLKG2	2/0 - #14	50 lb in

Schematic



Any 80-125 Amp circuit breaker must be installed in the lowest position in the branch panel. All other positions are limited to 70 Amp maximum circuit breakers.

Terminal	Wire Size	Torque
A1, B1, A2, B2	300kcmil - #4	250 lb-in
A3, B3, N1, N2	250kcmil - #4	250 lb-in
G1, G2	2/0 - #14	50 lb-in
Branch Breaker Terminals	See Markings on Breaker	
Neutral/Equipment Ground	#10 - #14 CU	20 lb-in
	#10 - #12 AL	20 lb-in
	#8	25 lb-in
Ground Conductors Only	#6 - #4	35 lb-in
	(2) or (3) #14 AWG	20 lb-in
	(2) #12-#10 AWG	20 lb-in

Line terminals A1 and B1 are installed for underground service entry as shown in the wiring diagram. For overhead entry, service bus may be repositioned.

© 2012 Copyright Siemens Industry, Inc.

SIEMENS
Siemens Industry, Inc.

Meter Load Center Combination

Description:
200A, 8 Sp/16 Ckt, OH/UG, Surf Mount, FT

KAM 9/12/12 Fam G DO NOT SCALE DRAWING Dwg. No. **MC0816B1200ESN**