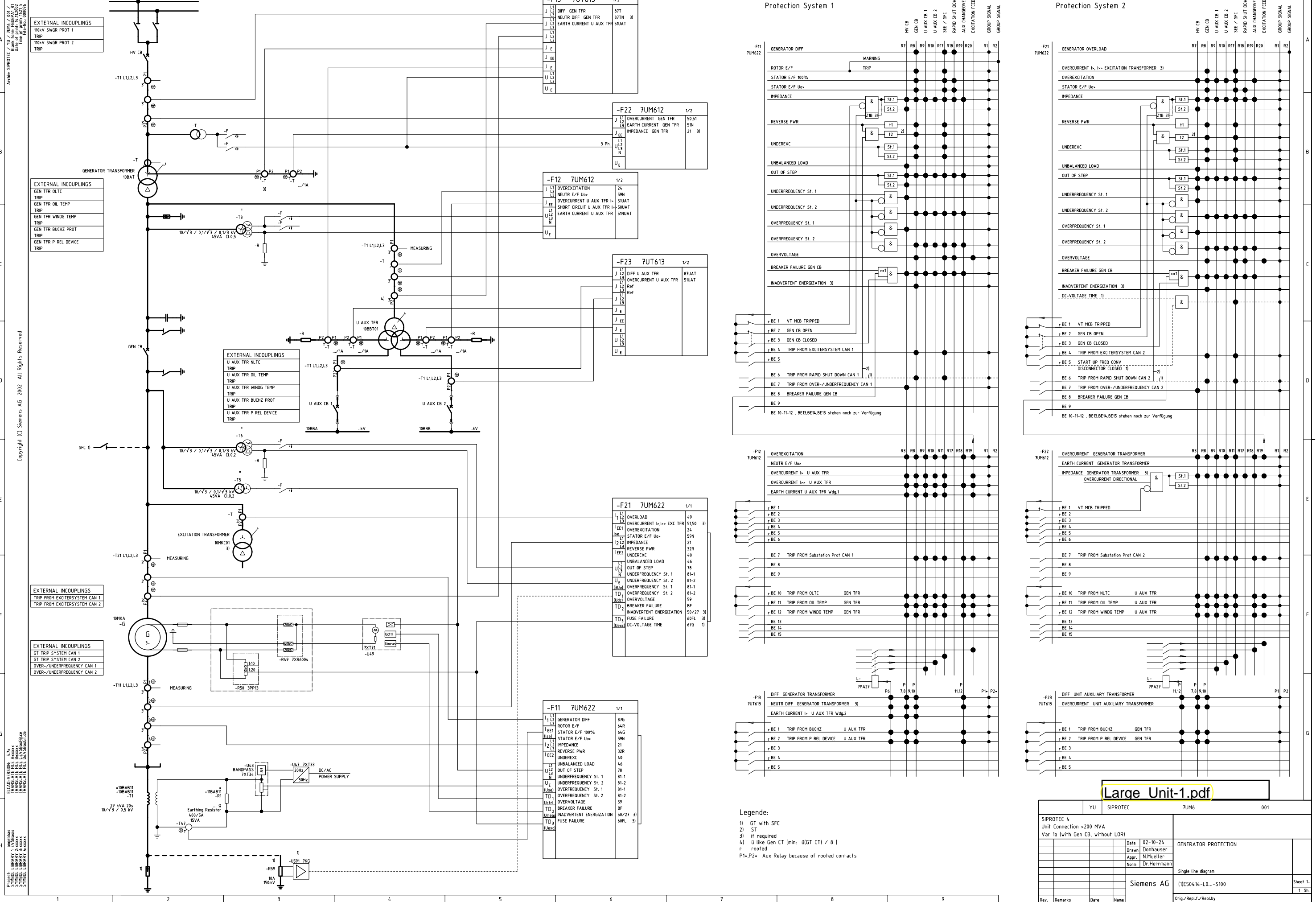
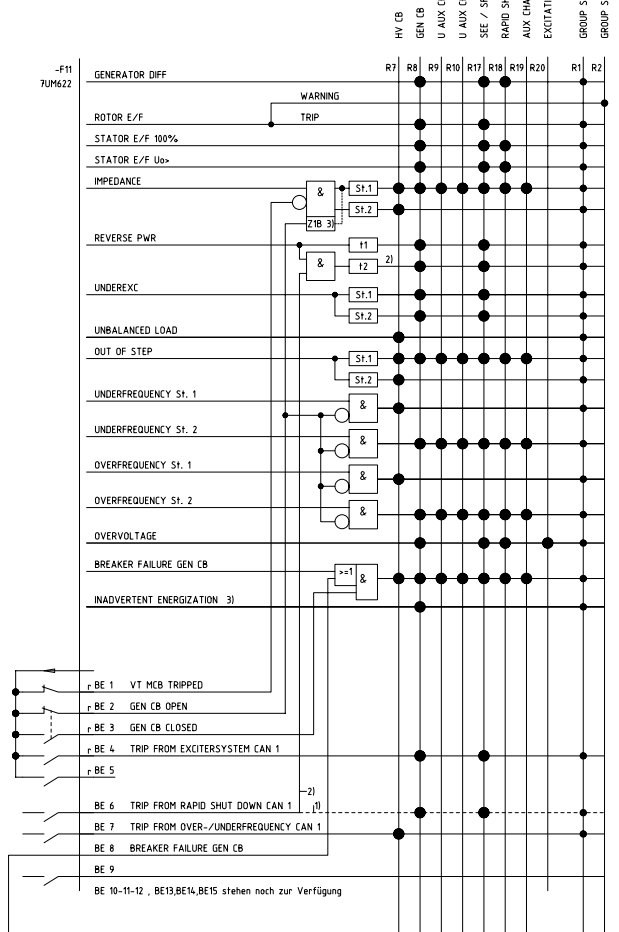


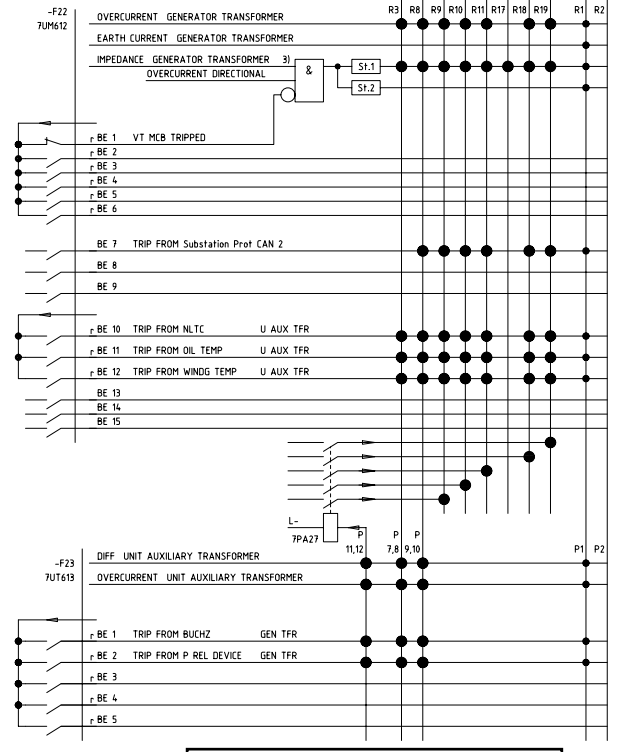
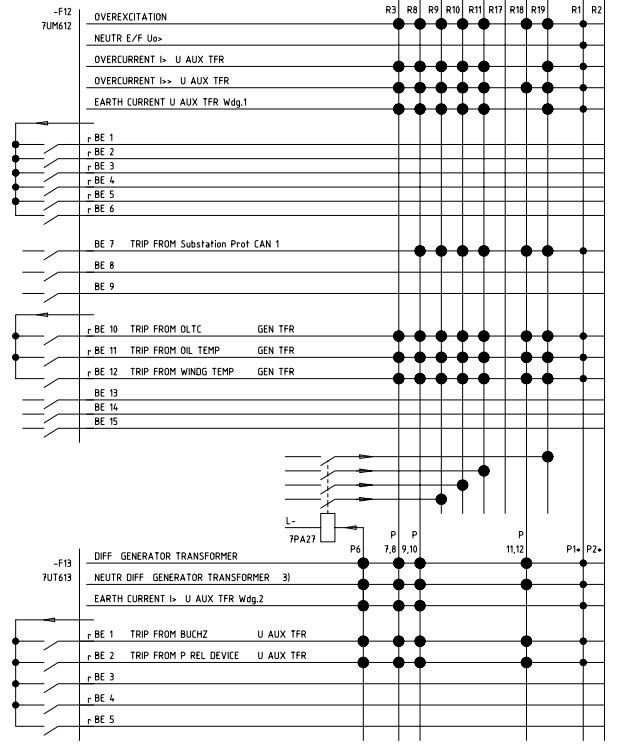
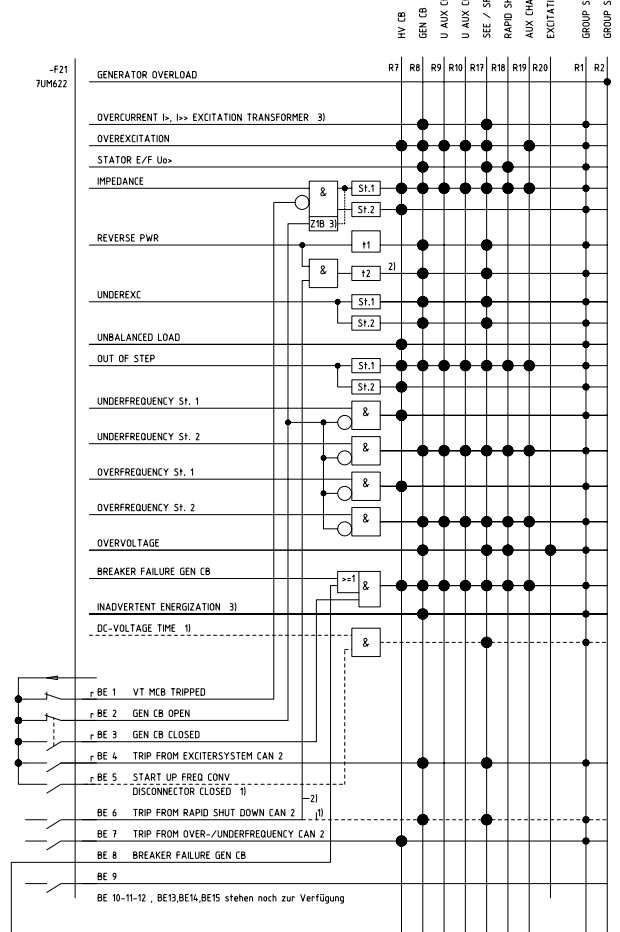
Copyright (C) Siemens AG, 2002. All Rights Reserved



Protection System 1



Protection System 2



Legende:
 1) GT with SFC
 2) ST
 3) if required
 4) U like Gen CT (min: U(GT) / 8)
 r rooted
 P1, P2: Aux Relay because of rooted contacts

Large Unit-1.pdf

YU	SIPROTEC	7UM6	001
SIPROTEC 4 Unit Connection >200 MVA Var 1a (with Gen CB, without LOR)			
Date	02-10-24	Drawn	Donhauser
Appr.	N.Mueller	Norm	DT.Herrmann
Siemens AG			
Single line diagram			
(1)E50414-L0...-S100			
Rev.	Remarks	Date	Name
			Orig./Repl.f./Repl.by

Project: LIBRARY 1: 400kVbas
 2: 300kVbas
 3: 220kVbas
 4: 110kVbas
 5: 35kVbas
 6: 10kVbas
 7: 0.4kVbas
 8: 0.2kVbas
 9: 0.1kVbas
 10: 0.05kVbas
 11: 0.02kVbas
 12: 0.01kVbas