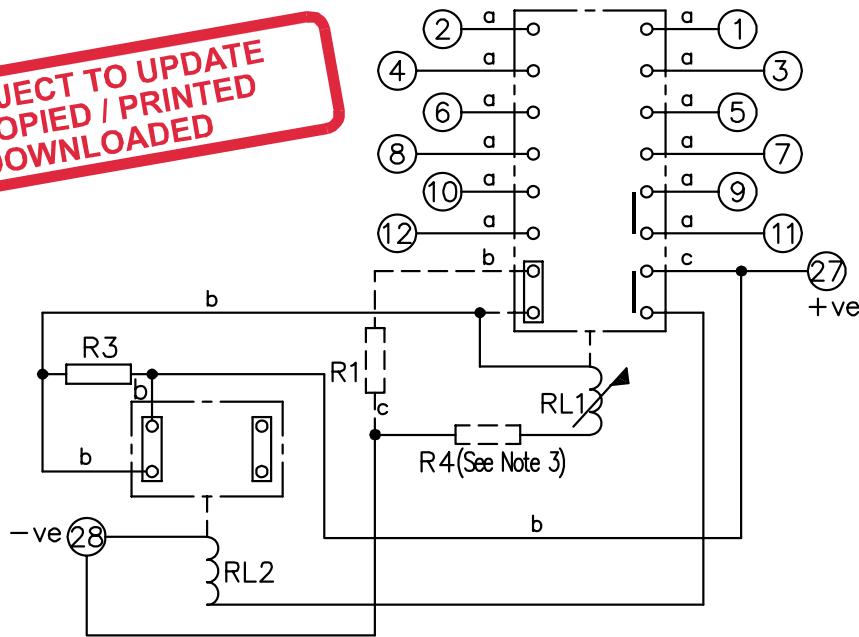


LOOKING ON FRONT OF RELAY

2112W50009

**NOT SUBJECT TO UPDATE
ONCE COPIED / PRINTED
OR DOWNLOADED**



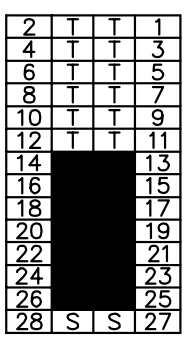
**DATE 04/05/2020
Printed on
IF IN DOUBT ASK**

ASSEMBLY WIRES USED		
a	2107B10001	12 OFF
b	2107B10004	4 OR 5 OFF
c	2107D10166	1 OR 2 OFF

KEY	220&240	1x470R 2102C45471	1x6K8 2102C65682	NOT FITTED					
	⊖⊖ make contact	125	2x100R in series 2102C41101	2x3K9 in parallel 2102C45392	NOT FITTED				
⊖⊖ break contact	50	1x390R 2102C35391	2x820R in parallel 2102C45821	1x22R 2102C25220					
⊖⊖ c/o contact	30	NOT FITTED	2x68R in series 2102C45680	NOT FITTED					
⊖⊖ ext. conn plug bridge - shorting	24	NOT FITTED	2x180R in parallel 2102C45181	NOT FITTED					
⊖⊖ metering point	VDC	R1	R3	R4					
⊖⊖ 5Kv barrier test socket - shorting	CONTACT CONFIG.	OUTPUT CONTACT PAIR / TERMINAL No.							
⊖⊖ plug & socket		1-3	2-4	5-7	6-8	9-11	10-12	NOTE:	
	6M	M	M	M	M	M	M	1. CONTACT CONFIGURATION ABOVE IS REQUIRED FOR RELAY OPERATION. FOR DETAILS OF VARIABLE CONTACT OPTIONS SEE TABLE OPPOSITE.	
	5M 1B	M	B	M	M	M	M	2. AREAS INDICATED THUS --- APPLY TO 50V, 125V AND 220/240V ONLY.	
	4M 2B	B	B	M	M	M	M	3. R4 RESISTOR IS ONLY FITTED TO 50V VARIANTS.	
	3M 3B	B	B	M	B	M	M		
	2M 4B	B	B	B	B	M	M		
	1M 5B	B	B	B	B	M	B		

FRAME REFERENCE: E4FE02.
FRAME TERMINAL BLOCK ASSY: -

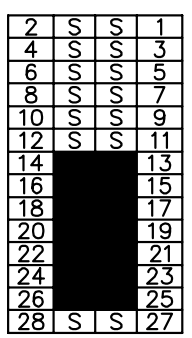
ASSEMBLY INSTRUCTIONS: -
TYPICAL ASSEMBLY DRAWING 2995G10032.
AT INDICATED POSITIONS FIT AS FOLLOWS:
T - FIT TRIP ISOLATION CONTACT 2995B10053
S - FIT STANDARD CONTACT 2995B10054
SECURE CONTACTS USING FIXING SCREW 2109F99009.
POSITIONS SHOWN BLANK ARE UNUSED



VIEW FROM NUMBERED SIDE OF BLOCK

OUTER TERMINAL BLOCK ASSY: -

ASSEMBLY INSTRUCTIONS: -
TYPICAL ASSEMBLY DRAWING 2995G10029.
AT INDICATED POSITIONS FIT AS FOLLOWS:
S - FIT STANDARD CONTACT 2995B10051
HC - FIT 'HEAVY CURRENT' KIT 2995G10030
WHERE ⊖⊖ IS SHOWN FIT CT SHORTING KIT 2995G10031
POSITIONS SHOWN BLANK ARE UNUSED.
ALL POSITIONS FIT SCREW 2106F12506.



VIEW FROM INSIDE FACE

5 RDW 19/04/13 MN112/3621			Title: T.B. AND WIRING DIAG. FOR TR212-6 RELAYS IN EPSILON E4 CASE.		First used on:	
4 RDW 09/02/10 MN112/3249			Reyrolle Protection Hebburn.		Similar Articles:	
3 RDW 11/11/05 MN112/2744					Supersedes:	
2 10/07/00 MN112/257			Original Scale.		Drg.No. 2112W50009	
ISSUE DATE MOD.No.			DRAWN: A.LAW. CHECKED: APPROVED: R.D.WATSON DATE: 16/07/02		Copyright © 1998 Reyrolle Ltd.	