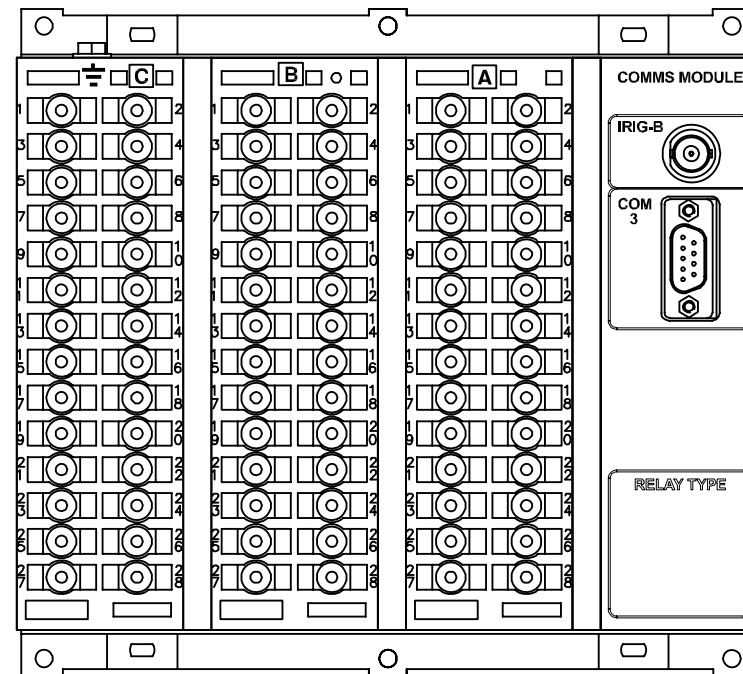


IF IN DOUBT ASK  
DO NOT SCALE

| ABBREVIATIONS |  |
|---------------|--|
| I             | CURRENT INPUTS                         |
| BI            | BINARY INPUTS                          |
| BO            | BINARY OUTPUTS                         |
| CO            | CHANGE OVER BINARY OUTPUT CONTACTS     |
| NO            | NORMALLY OPEN BINARY OUTPUT CONTACTS   |
| NC            | NORMALLY CLOSED BINARY OUTPUT CONTACTS |

| COMMUNICATIONS IDENTIFICATION |  |
|-------------------------------|--|
| COM1                          | RS485 (ON BLOCK 'B' TERMINALS 14,16,18 & 20) |
| COM2                          | USB TYPE 'B' PORT (ON RELAY FRONT LABEL)     |
| COM3                          | RS232 (ON REAR COMMS MODULE)                 |

NOT SUBJECT TO UPDATE  
ONCE COPIED / PRINTED  
OR DOWNLOADED

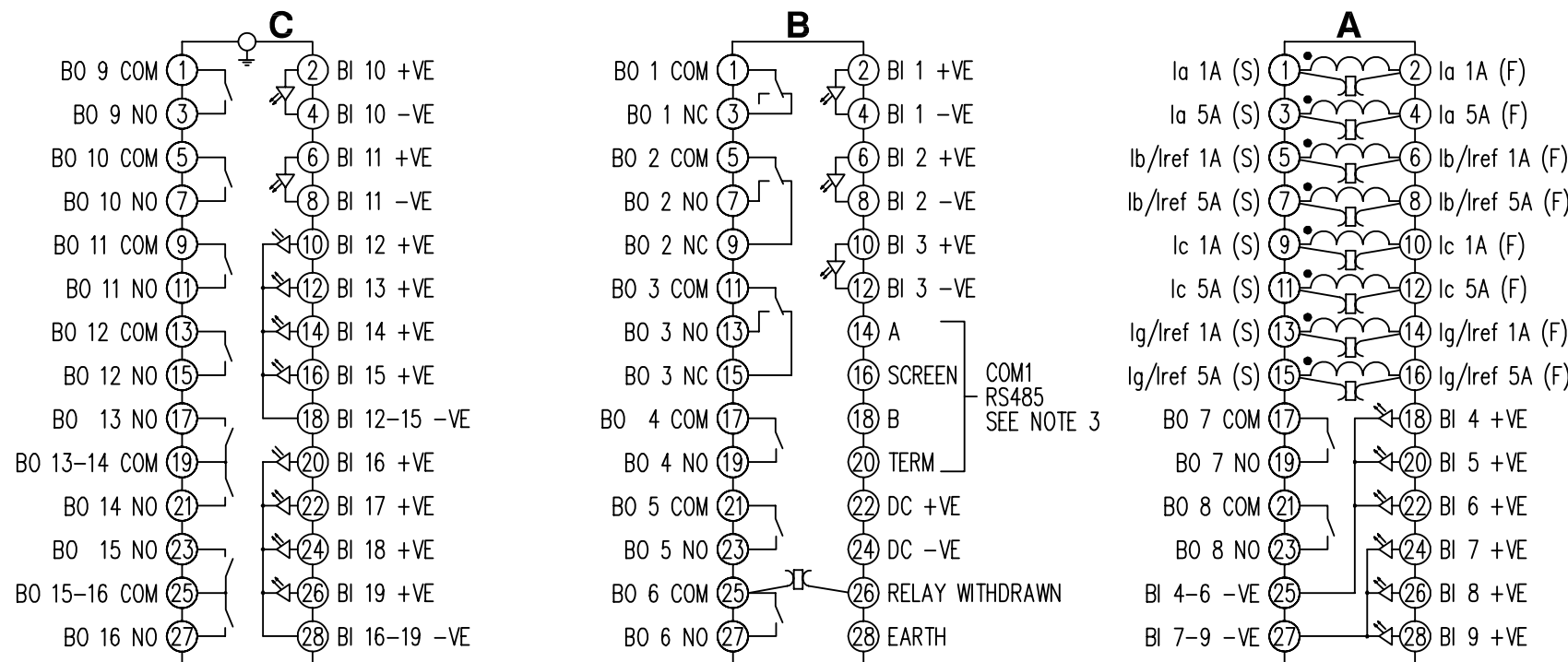
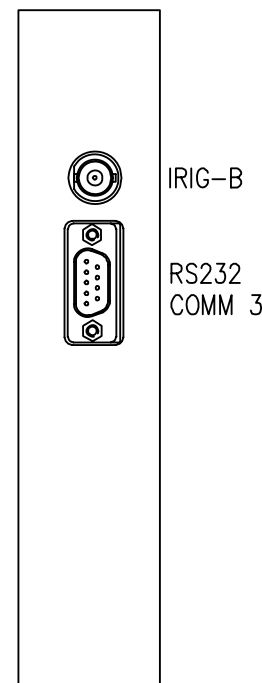


RELAY VIEWED FROM REAR

**NOTES**

- 1) TERMINALS RECOMMENDED ARE PRE-INSULATED & MUST BE CRIMPED USING APPROVED TOOLING. AMP PIDG OR PLASTI GRIP FUNNEL ENTRY (RING TONGUE) FOR M4 FIXING STUD.
- 2) FOR OUTLINE & PANEL DRILLING, SEE 2995X10008 (A4).
- 3) CONNECTIONS TO THIS COMMUNICATIONS FACILITY IS BY SCREENED, TWISTED PAIR CABLE, ON SITE. WHEN WIRING OTHER FACILITIES ENSURE THAT THESE TERMINALS ARE NOT OBSCURED BY OTHER WIRE RUNS.
- 4) CONTACTS SHOWN THIS ARE INTERNAL RELAY CASE ASSEMBLY AND CLOSE WHEN THE RELAY CHASSIS IS WITHDRAWN FROM THE CASE.

**COMMS MODULE**



PRINTED ON 15/02/2012  
ENSURE CORRECT REVISION  
DESTROY AFTER USE

**MATERIAL:**

Dimensions in millimetres : Surface texture in micrometres.  
Machine where marked ✓  
For explanation of dimensions, tolerances, notes etc. see B.S.308.  
Limit on untoleranced unmachined dimensions ± \_\_\_\_\_  
Limits on untoleranced machined dimensions to B.S.4500;  
i.e. up to 6±0.1; over 30 to 120±0.3; over 315±0.8;  
over 6 to 30±0.2; over 120 to 315±0.5;  
General unmachined angular tolerance ± \_\_\_\_\_

Finish: \_\_\_\_\_  
Treatment: \_\_\_\_\_

Title: **TERMINAL ID & WIRING DIAGRAM FOR 7SR23(DAD)  
4I,19BI,2CO,13NO,1NC,RS485+RS232 IRIG-B COMMS, E8 CASE**

SIEMENS PROTECTION DEVICES LTD.

Original Scale: **NTS**

First used on: \_\_\_\_\_  
Similar Articles: \_\_\_\_\_  
Supersedes: \_\_\_\_\_  
Drg. No. **2414W40009**

|       |          |        |   |
|-------|----------|--------|---|
| 1     | 26/01/12 | CHANGE |   |
| ISSUE | DATE     | NOTED  | △ |