

SIEMENS

BBKQRP2FK

P3 Filler Kit for QR Breaker Installation Instructions



This instruction sheet is for the BBKQRP2FK filler kit for dual-mounted, horizontal 225A MAX QR breakers. This will work for converting BOTH branch locations to QR breakers in ALL of Siemens P3 panelboards. (Or it will convert a single location from a QJ breaker to a QR breaker in three-phase panels ONLY.)

1. Lock off all power supplying this equipment before working on it.
2. Remove the panelboard front cover and deadfront.
3. Remove the old fillers and dispose of properly.
4. Carefully remove the breakers.
5. Inspect this area and ensure the mounting bracket and connectors are in good shape and secure.
6. Follow the new QR breaker installation instructions.
7. Install the P3 QR fillers (provided in this kit) into the front of the QR deadfront plate by first inserting the clips on one side of the opening and then rocking the other side into position until it firmly "clicks" into place.
8. **Before energizing the panel**, ensure that ALL connections have been properly torqued, that the deadfront is installed and that all fillers are in place.

IF REPLACING QJ BREAKERS WITH QR BREAKERS, REMOVE THE QJ DEADFRONT PLATE (WHERE THE NEW QR BREAKERS ARE BEING INSTALLED) AND REPLACE WITH THE APPROPRIATE QR DEADFRONT PLATE (IN KIT). THREE OPTIONS ARE PROVIDED. PLEASE NOTE THE CHANGE IN HANDLE LOCATION TO ENSURE PROPER QR DEADFRONT PLATE IS BEING INSTALLED (SEE FIGURES 1, 2 & 3). OTHERWISE, PROCEED TO STEP 6

This kit contains the following items:

ITEM	DESCRIPTION	QTY
1	QR Plastic Filler for P3	2
2	QR Deadfront Plate for 2-Pole P3	1
3	QR Deadfront Plate for 3-Pole P3	1
4	Hybrid Deadfront Plate for P3	1
5	Provision Steel Filler Plate	1
6	#10-24 x 5/8" RH Sq. Neck Bolt	2
7	#10-24 Lock Nut	2
8	#8-32 Hex Washer Head Screw	4

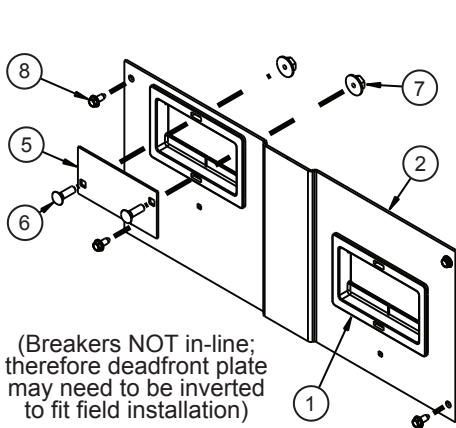


Figure 1
2-Pole ONLY
Dual QR Breaker

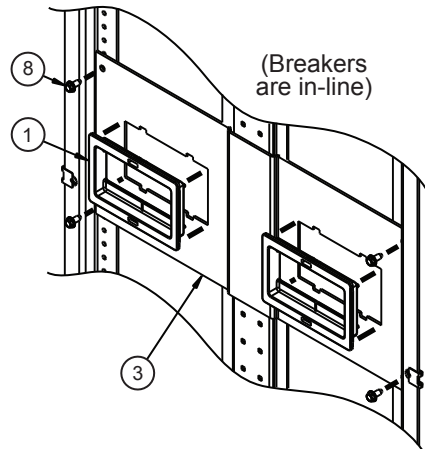


Figure 2
3-Pole or Mixed (2-Pole + 3-Pole)
Dual QR Breaker

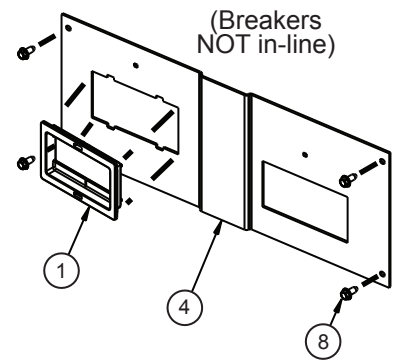


Figure 3
Hybrid (QR + QJ), 2/3-Pole,
in 3-Phase Panels ONLY

These instructions do not purport to cover all details or variations in equipment, or to provide for every possible contingency to be met in connection with installation, operation or maintenance. Should further information be desired or should particular problems arise, which are not covered sufficiently for the purchaser's purposes, the matter should be referred to the local Siemens sales office. The contents of this Instruction manual shall not become part of or modify any prior or existing agreement, commitment or relationship. The sales contract contains the entire obligation of Siemens. The warranty contained in the contract between the parties is the sole warranty of Siemens. Any statements contained herein do not create new warranties or modify the existing warranty.

Trademarks-Unless otherwise noted, all names identified by ® are registered trademarks of Siemens AG or Siemens Industry, Inc. The remaining trademarks in this publication may be trademarks whose use by third parties for their own purposes could violate the rights of the owner.