

Specification Sheet

B74FLR Enclosures and related bottom covers

Quick & Easy Installation Features

This "universal fit" enclosure is capable of sitting on the floor or over the conduit, eliminating the need to extend conduit or cut knockouts. If installed correctly, there will be no need for a panel skirt.

This enclosure includes two bottom endwalls: a standard and a special endwall with a cutout. The standard endwall is mounted at the bottom as usual, and the special endwall is mounted above it with two screws. By removing the standard endwall and moving the special endwall to the lower position, the enclosure can be mounted around conduit stubbed up from the floor.*

Any size P1 or P2 interior from 26" to 74" can fit in this 20" wide enclosure with the proper lower cover installed. See chart below for part numbers (See back for details).

The bottom section of the enclosure left open by all fronts (except the 74" front) will require a special lower cover installation. These are available in both surface and flush variations in six-inch increments from 6"- 48" height, to match the front "void" sizes. The chart to the right shows which lower covers are available for the interior selected.

Contractor Labor Savings

When installed to code, the labor to cut knockouts and extend conduit to the bottom endwall is eliminated.

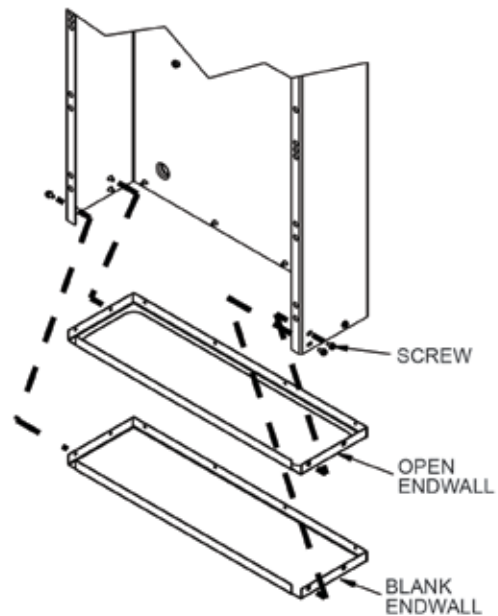
Instruction Sheets:

Enclosure: B74FLR Instructions
Lower Cover: BXXCVR Instructions
Endwall Kit: EWK3 Instructions

Instruction sheets can be found at usa.siemens.com/panelboards

*Contractor is required to seal and install as required per local/national codes.

Enclosure Part Number: B74FLR



Standard Box Size	Standard Front Size	Required Lower Cover			
		Flush Mounted		Surface Mounted	
26" x 20"	26"	48"	BXXCVR48F	48"	BXXCVR48S
32" x 20"	32"	42"	BXXCVR42F	42"	BXXCVR42S
38" x 20"	38"	36"	BXXCVR36F	36"	BXXCVR36S
44" x 20"	44"	30"	BXXCVR30F	30"	BXXCVR30S
50" x 20"	50"	24"	BXXCVR24F	24"	BXXCVR24S
56" x 20"	56"	18"	BXXCVR18F	18"	BXXCVR18S
62" x 20"	62"	12"	BXXCVR12F	12"	BXXCVR12S
68" x 20"	68"	6"	BXXCVR06F	6"	BXXCVR06S
74" x 20"	74"	0"	None Required	0"	None Required

The enclosure to the right shows two mounting studs at the top which are used for all sizes of P1/P2 panels that fit 20" wide x 5.75" deep enclosures. There are two studs at the bottom for mounting a 74" interior (Note: Interior sizes reference the standard enclosure size needed for the interior and front). The 74" can fits the 74" interior and front without any additional covers.

As interiors get shorter in six-inch increments, lower covers are needed to fill the space below the interior and standard front. Mounting holes and hardware are provided for attaching the bottom of the base rails.

Example: A 44" interior is 30" shorter than a 74" enclosure so it will need a 30" lower cover. Pick Surface or Flush to match the front.

Fronts available to use

- Standard FasLatch Front
- Screw-to-box front (standard & piano hinge)
- Hinge-to-box front (standard & piano hinge)
- Door-to-door front (standard & piano hinge)

Note: Although stainless steel piano hinge fronts are available, stainless steel lower covers are NOT available at this time.

Special endwall retrofit kit: EWK3

This kit includes the "open" endwall that can be used to replace a standard endwall in any 20" wide x 5.75" deep enclosure if needed for special mounting situations. Contractor is responsible to seal and secure per local/national codes.

Note: This B74FLR Enclosure is UL Listed as a Electric Cabinet Box and when additional gutter space is available (beyond the required minimum Enclosure size required by the Panel Interior), this additional Gutter space is considered part of the Enclosure and does not require special wiring rules that apply to a "wire way". It is not a Panel Skirt, although in some cases it can be used in place of an Enclosure plus a panel skirt when installed per local and National codes.

Think of this as you would a "Switchboard Enclosure" resting on the floor, similar wiring rules should apply to the open bottom.

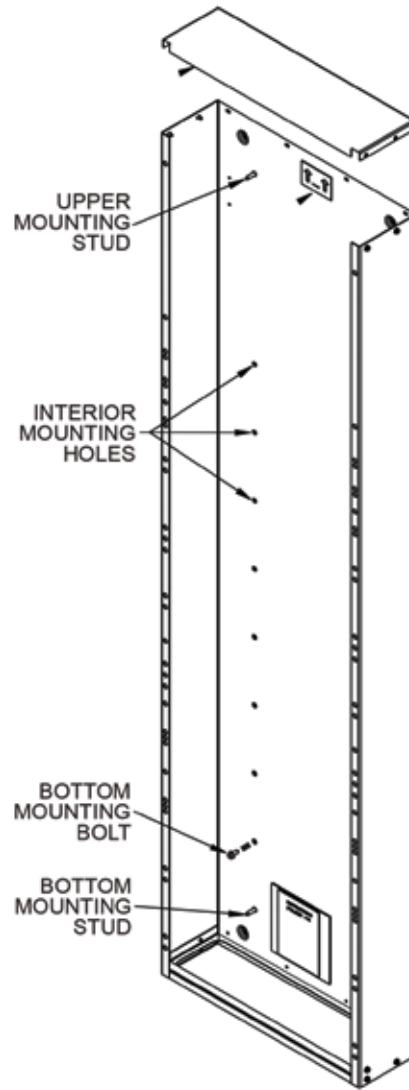
Published by
Siemens 2018

Siemens Industry, Inc.
5400 Triangle Parkway
Norcross, GA 30092
Siemens Technical Support: 1-800-333-7421
info.us@siemens.com
Order No. RPFL-PBB74-0318-CP

Printed in USA
All Rights Reserved
© 2018, Siemens Industry, Inc.
usa.siemens.com/panelboards

The technical data presented in this document is based on an actual case or on as-designed parameters, and therefore should not be relied upon for any specific application and does not constitute a performance guarantee for any projects. Actual results are dependent on variable conditions. Accordingly, Siemens does not make representations, warranties, or assurances as to the accuracy, currency or completeness of the content contained herein. If requested, we will provide specific technical data or specifications with respect to any customer's particular applications. Our company is constantly involved in engineering and development. For that reason, we reserve the right to modify, at any time, the technology and product specifications contained herein.

Enclosure Part Number: B74FLR



SIEMENS

↑ TOP ↑
(FOR TYPE 3R/12 USE UL LISTED MAIN/INT'L CONDUIT HUBS)

S.O.	300 123 4567		
ITEM	020012		
CUSTOMER MARKING			
DATE	02/23/18		
CATALOG NO.	B74FLR		
ENCLOSURE TYPE	1		
BOX DIMENSIONS	5.75 Dp.x	20 W.x	74 H.
LOCATION	D		

ENCLOSURE TYPE	GRADE 5 HARDWARE (QTY)	TORQUE (LBS-FT)
1	1/2"-13 (4)	60
3R/12	3/8"-16 (8)	30

UL LISTED
ELECTRIC CABINET BOX
Issue No. E14xx

1. Use hardware & tighten per table above.
2. Enlarge mounting holes if required.
3. See marking on deadfront for seismic compliance.

MAIN BREAKER CONDUCTORS

NOTES:
- All line conductors should enter and leave enclosure in this gutter.
- The gutter is typical for each side of the enclosure. Neutrals may be different on some panels.

USE SIEMENS EQUIPMENT GROUND BUS TYPES EGM, IGM, ECGK, ICGK

Torque required to secure wire sizes listed below:

Small Terminal	Large Terminal
(1-2 Wires)-#14-#12 20 lb-in	(1-3 Wires)-#14-#10 35 lb-in
(1 Wire)-#10 20 lb-in	(1 Wire)-#8 40 lb-in
(1 Wire)-#8-#6 30 lb-in	(1 Wire)-#6-#4 45 lb-in
	(1 Wire)-#3-1/0 50 lb-in

Grd. bus location
Type 3, 3R & 3R/12 Enclosure

Siemens Industry, Inc.
Norcross, Georgia

15-A-1031-01 Rev. 9

Example of Label provided on each enclosure with UL/cUL marking