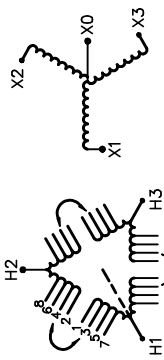




REVISION	DATE	BY	DATE	BY
		DRAWN	19/03/20	PP
		CHEK'D		
		VERIF'D		

Siemens Industry, Inc.	
CUSTOMER	
ORDER NO.	DWG. NO.
	3F3Y750FCLN3D16 SH 1 OF 3

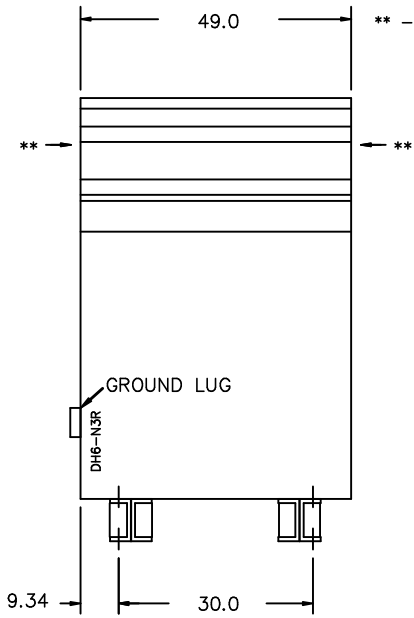
# SIEMENS

<p>CATALOG NO. 3F3Y750FCLN3D16          SERIAL NO. SERIES H          750 kVA 60 Hz 3 PHASE          6.2 % IMP AT 135 °C</p> <p>115 °C RISE 30 °C AVG. AMBIENT          220 °C TEMP CLASS 40 °C MAX. AMBIENT</p> <p>PRIMARY ( H1 H2 H3 ) 480V V 10 kV BIL          SECONDARY( X0 X1 X2 X3 ) 208Y/120V V 10 kV BIL</p> <p>WINDING MATERIAL CU          ENCLOSURE TYPE 3R WEIGHT 4400LBS          ENERGY EFFICIENCY EXCEEDS CSA D0E 10 CFR PART 431:2016          C802.2-2012</p> <p>SPACINGS BETWEEN ANY VENTILATED ENCLOSURE PANEL AND ANY ADJACENT WALL SHALL BE A MINIMUM OF 12 INCHES          SOUND LEVEL IS 3 DB LOWER THAN NEMA ST20 REQUIREMENTS</p> <p>SUITABLE FOR INDOOR OR OUTDOOR LOCATIONS          BEFORE HANDLING, INSTALLING AND OPERATING, SEE INSTRUCTION MANUAL</p> <p>NEMA Class ANN Dry Type Transformer Siemens Industry, Inc. Norcross, GA <small>des0086e</small></p>	 <p>VOLTS          504          492          480          468          456          444          432</p> <p>CONNECT          1-2          2-3          3-4          4-5          5-6          6-7          7-8</p>	<p>TYPE K</p>  <p>DRY TYPE TRANSFORMER          7705 E112313</p>  <p>LR 3902</p> <p>SEISMIC QUALIFICATIONS, FLOOR MOUNT ONLY          OSP-0136-10 IBC 2012/ASCE 7-10          SDS&lt;=2.0g Z/h=1 Ip=1.5</p>
--	---	---

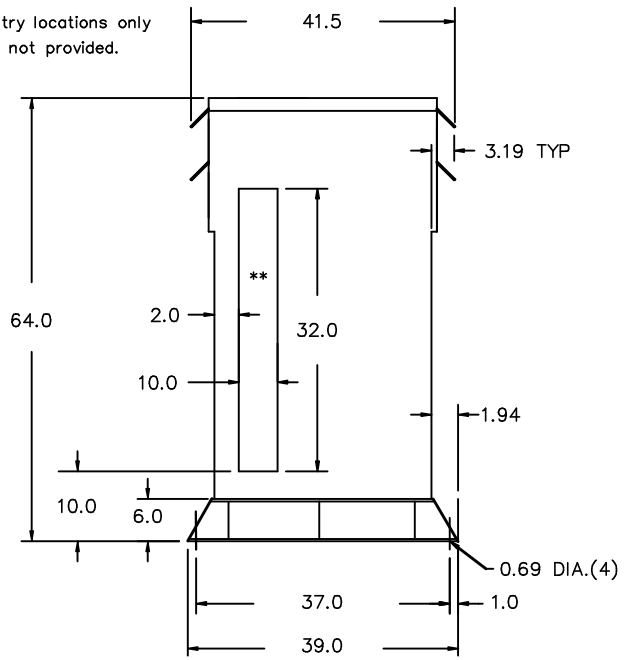


3F3Y750FCLN3D16

FRONT VIEW



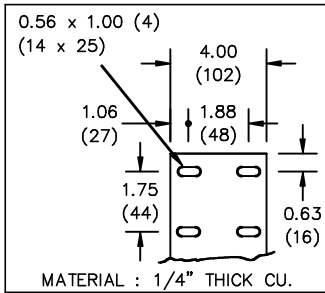
SIDE VIEW



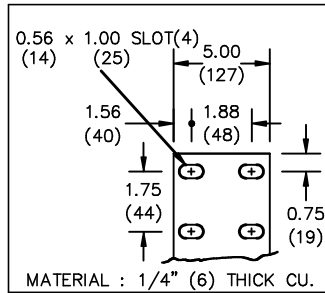
All Dimensions in inches

ENCLOSURE COLOR : ANSI 61 GREY - OUTDOOR

HV TERMINAL DETAIL



LV TERMINAL DETAIL



CUSTOMER NOTES:

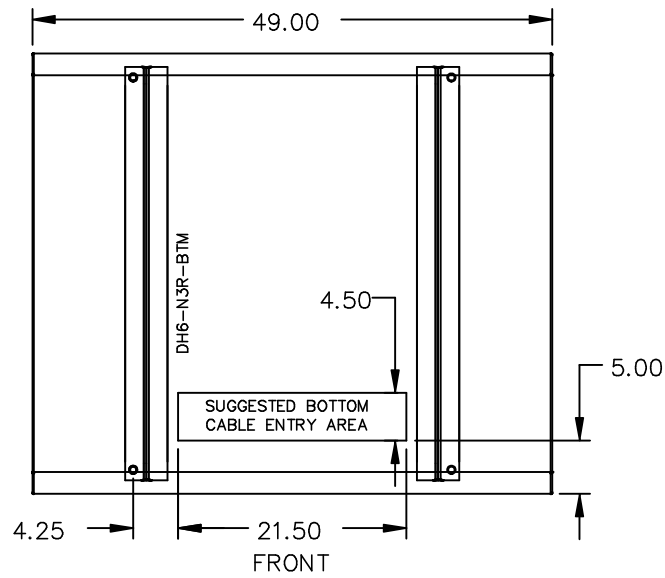
- HV TERMINATED AT TOP FRONT
- LV TERMINATED AT BOTTOM FRONT

Siemens Industry, Inc.

REVISION	DATE	BY	DATE	BY
		DRAWN	19/03/20	PP
		CHEK'D		
		VERIF'D		

CUSTOMER	
ORDER NO.	DWG. NO.
	3F3Y750FCLN3D16 SH 2 OF 3

ENCLOSURE BOTTOM VIEW



NOTE:  
 WHEN BOTTOM CABLE ENTRY IS OPTED, THE SPACE USED FOR CONDUITS IN THE FRONT OF THE TRANSFORMER SHOULD NOT OBSTRUCT MORE THAN 50% OF THE FRONT AIR INTAKE AREA DEFINED BETWEEN THE BOTTOM PLATE AND THE SUPPORTING LEGS.  
 SEE MANUAL FOR ADDITIONAL INFORMATION

Siemens Industry, Inc.

REVISION	DATE	BY	DATE	BY
		DRAWN	19/03/20	PP
		CHEK'D		
		VERIF'D		

CUSTOMER	
ORDER NO.	DWG. NO. 3F3Y750FCLN3D16
SH 3 OF 3	