

Catalog Number: 9804-8564

Features and Ratings

- Ringless Type Meter Socket
- 65A Continuous, 80A Max, 600V AC
- Outdoor Enclosure (NEMA Type 3R)
- Painted Steel Enclosure
- 3 Phase, 13 Jaw , Lever Bypass
- Meter Socket Type HQ-13TS
- For Overhead & Underground Service
- RX Type Hub Opening with Cover Plate Installed
- One Ground Lug Installed

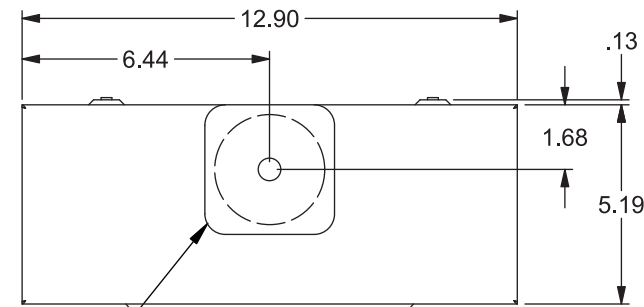
Accessories

CONDUIT HUBS (RX Type)	
TRADE SIZE	CATALOG No.
1-1/4 INCH	EC38597 or H38597-2
1-1/2 INCH	EC38598 or H38598-2
2 INCH	EC38599 or H38599-2
2-1/2 INCH	EC38600 or H38600-2
Hub Cover Plate	EC38595 or H38595-1

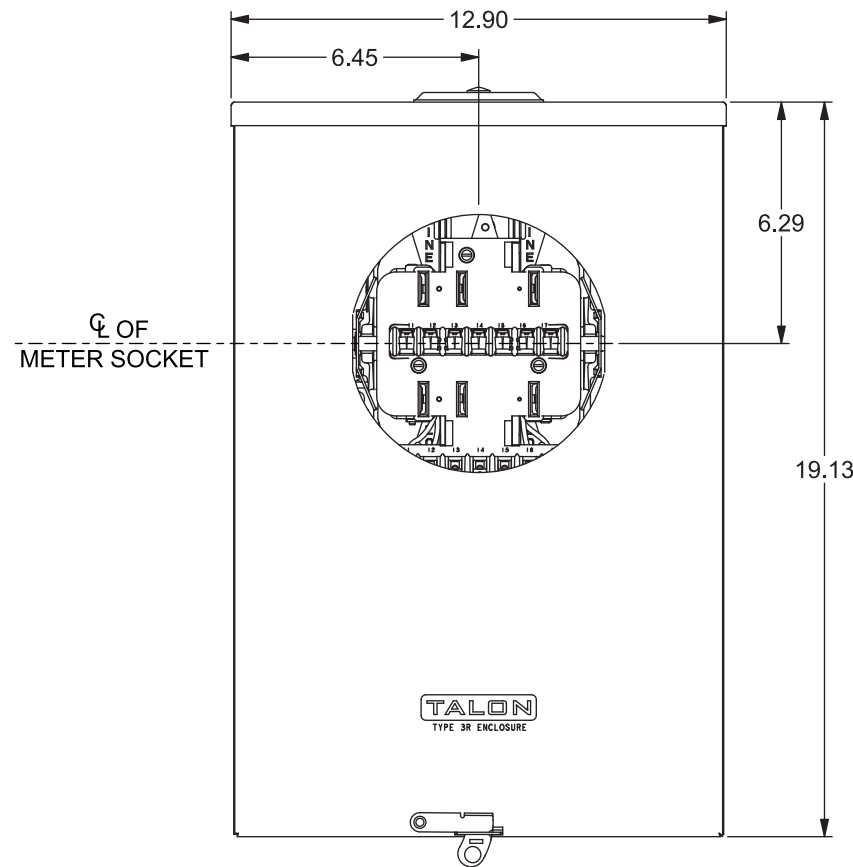
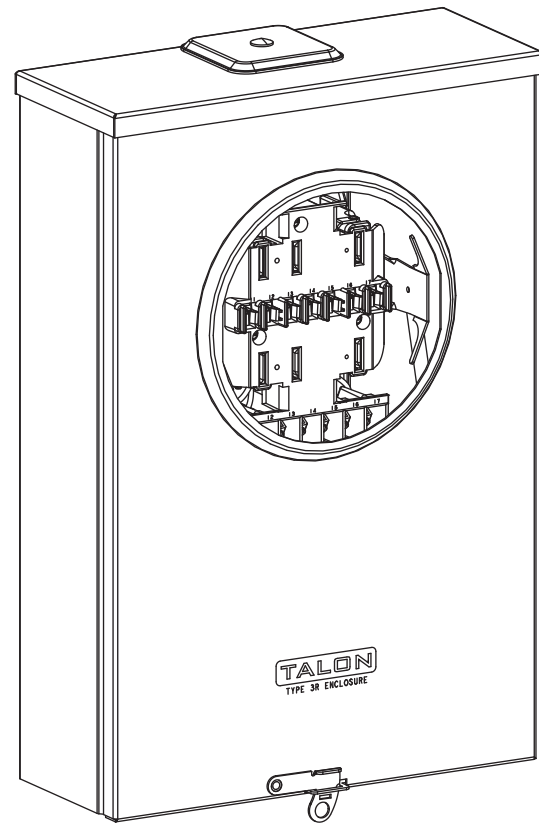
Meter Opening Cover Plate
Cat No: H659-0162

Connectors, Wire Sizes and Torques

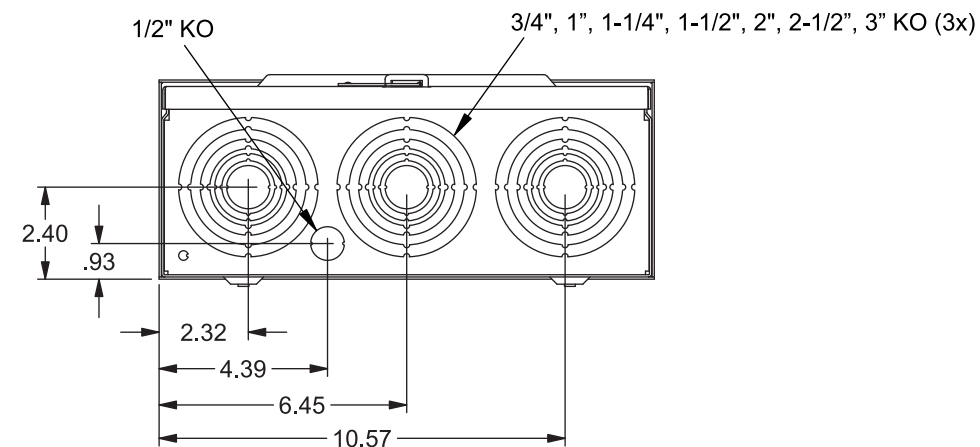
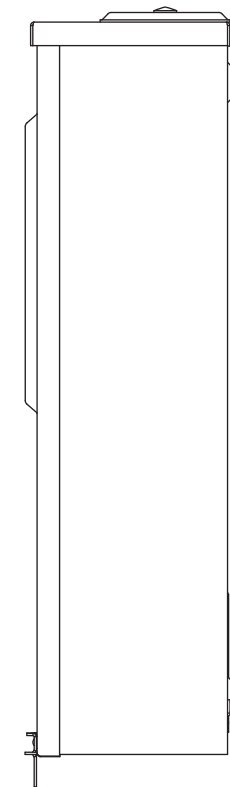
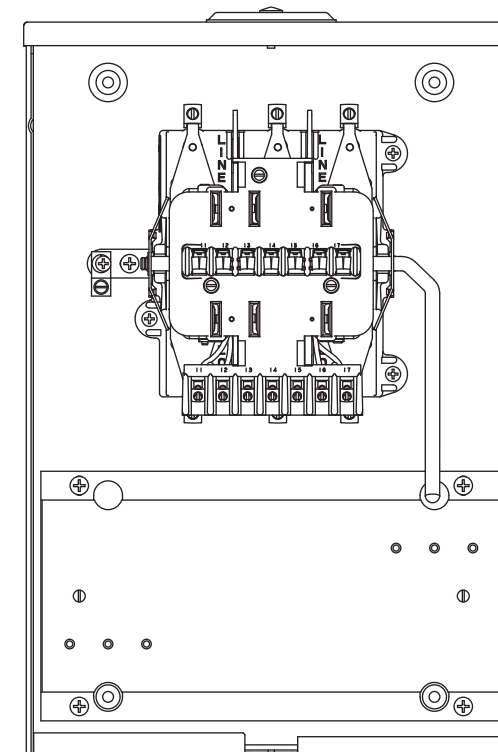
CONNECTOR	WIRE SIZE	TORQUE
LINE, LOAD	#14 - 4 AWG	35 IN.-LBS.
GROUND	#14 - 2 AWG	50 IN.-LBS.



TYPE RX (SMALL) HUB OPENING,
COVER PLATE INSTALLED



VIEW SHOWN WITH COVER REMOVED



© 2019 Copyright Siemens Industry, Inc.

TALON
Meter Socket

Description: **65A Cont, 13 Jaw, HQ-13TS, 3 Ph, 600V AC, OH/UG, Lever Bypass**

KAM 12/5/19 DO NOT SCALE DRAWING Dwg No: **9804-8564**