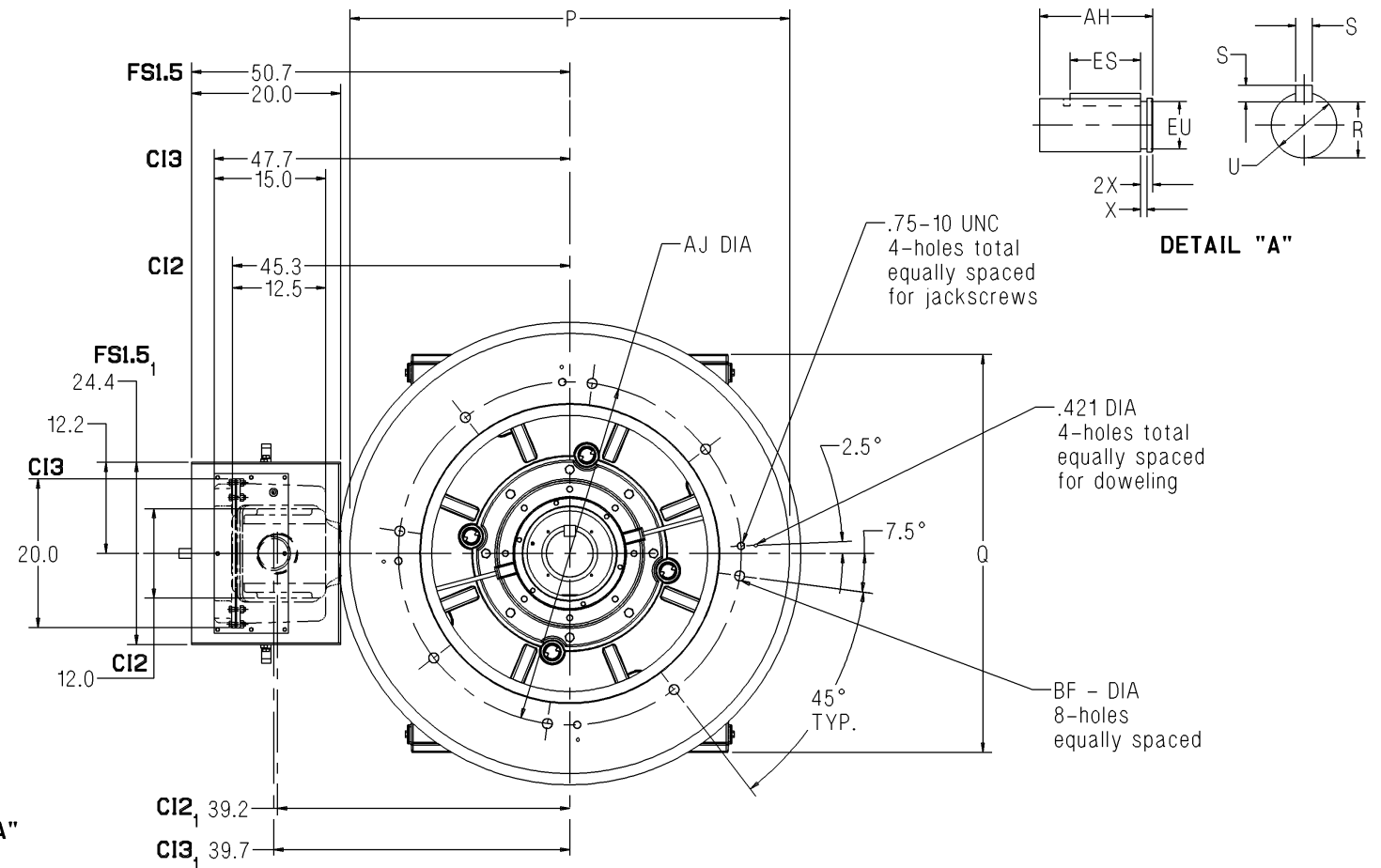
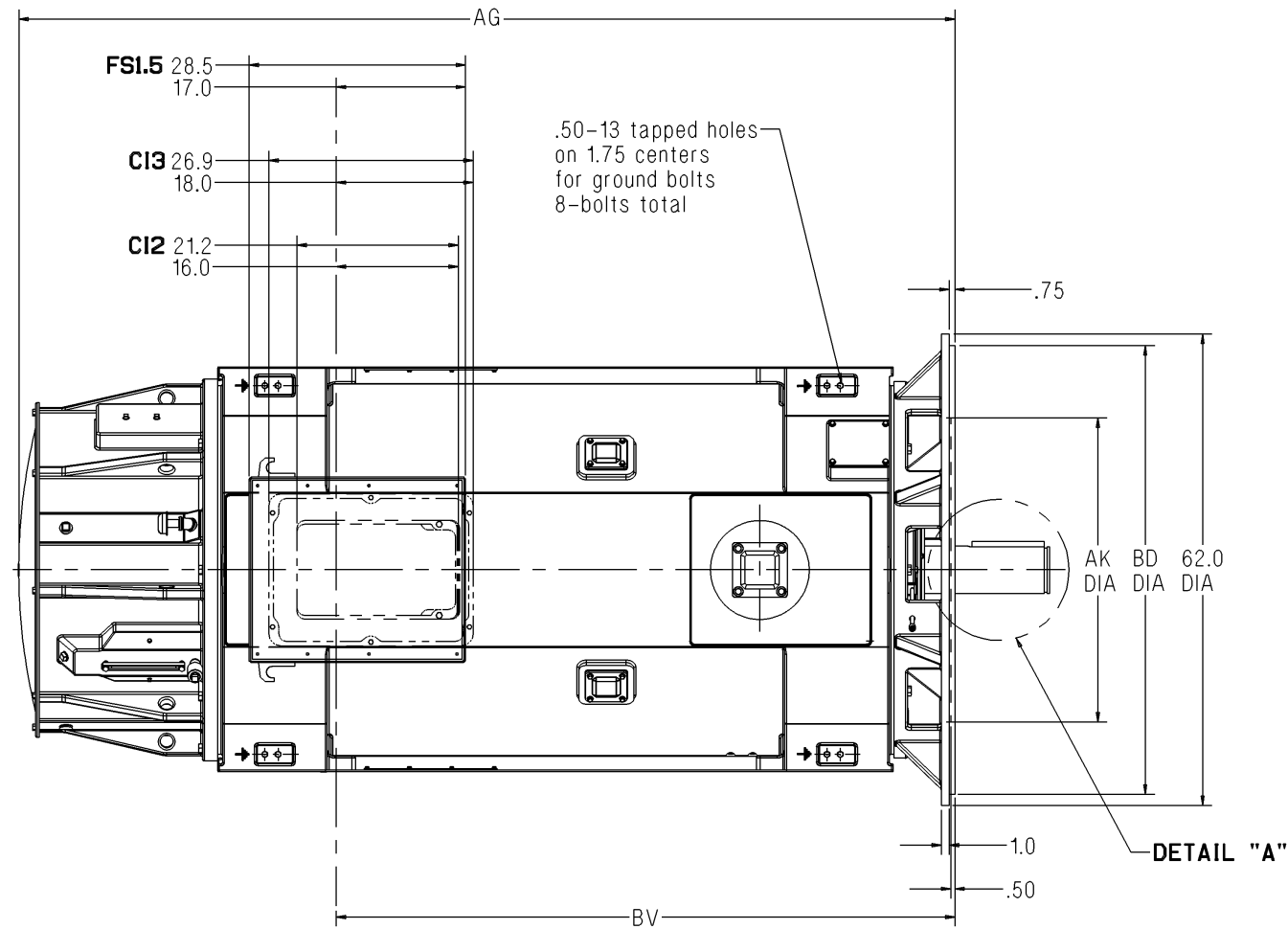


SIEMENS

Dimension Prints for Above NEMA Motors

Type CGV - Vertical Solid Shaft - Open Drip Proof / Weather Protected Type I
 P Flange - Anti-Friction Bearing
 Frames 680 / 800 / 1120 - 6 Pole & Slower - Rotatable Main Conduit Box



Notes:

1. Main conduit box may be rotated in steps of 90°.
 A removable bottom plate is supplied on the FS1.5 conduit box.
 A 5.0 N.P.T. is supplied on the CI2 and CI3 conduit boxes.
2. Machines may rotate in one direction only.
3. Adding a rotating labyrinth seal to the drive end does not change any dimensions.

Standard Dimensions in Inches

Frame	AG	AH	BV	ES	EU	R	S	U	X	P	Q	BD	AJ	AK	BF	Approx. Ship Wt. (Lbs)
680	111.3	12.50	69.4	9.50	5.50	5.409	1.50	6.250	0.750	59.0	53.5	59.00	46.00	40.00	1.312	22200
800	124.0	12.50	81.4	9.50	5.50	5.409	1.50	6.250	0.750	59.0	53.5	59.00	46.00	40.00	1.312	29200
1120	124.0	12.50	81.4	9.50	5.50	5.409	1.50	6.250	0.750	59.0	53.5	59.00	46.00	40.00	1.312	36400

Certification: Customer _____ P.O. _____ S.O. _____ Item _____
 HP _____ RPM _____ Frame _____ PH/HZ/Volts 3/_____/_____
 By _____ Date _____ Terminal Box Size CI2 CI3 FS1.5 CGV_680-800-1120_6plusPL_AF_ROT
 Comments _____
 Not for construction, installation or application purposes unless certified. Revision 02 02/09/09