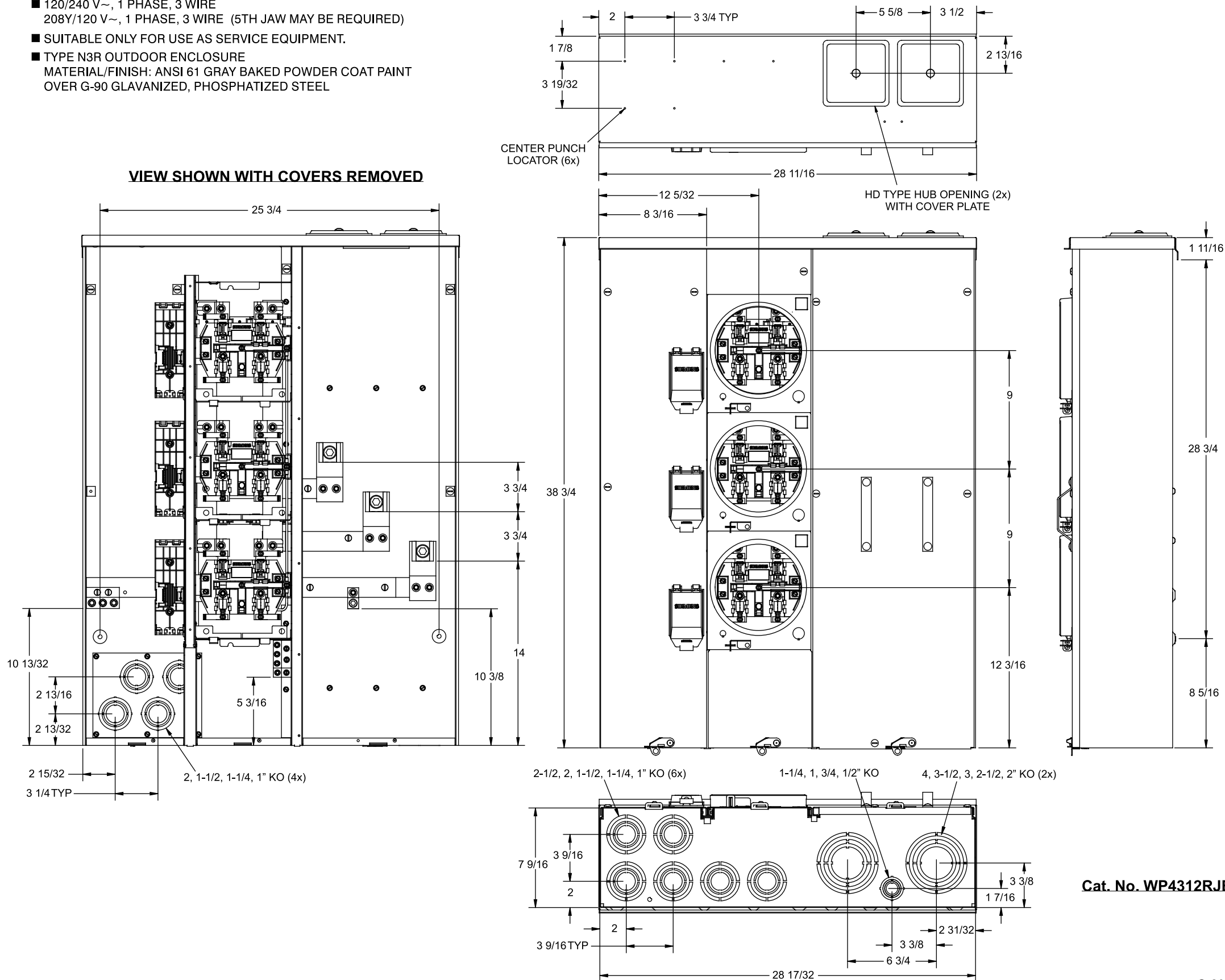


Catalog Numbers, Features and Ratings

| Catalog Number | Max. Bus Rating | Max. Meter Socket Rating | AIC Rating Max. | Max. Branch Rating | Meter Positions | Meter Socket Cover | 5th Jaw Installed | Horn Bypass Installed |
|----------------|-----------------|--------------------------|-----------------|--------------------|-----------------|--------------------|-------------------|-----------------------|
| WP4312 | 400A | 200A Cont. | 100,000 | 225A* | 3 | Ring Type | No | N/A |
| WP4312RJ | 400A | 200A Cont. | 100,000 | 225A* | 3 | Ringless | Yes | No |
| WP4312RJB | 400A | 200A Cont. | 100,000 | 225A* | 3 | Ringless | Yes | Yes |

- 120/240 V~, 1 PHASE, 3 WIRE
208Y/120 V~, 1 PHASE, 3 WIRE (5TH JAW MAY BE REQUIRED)
- SUITABLE ONLY FOR USE AS SERVICE EQUIPMENT.
- TYPE N3R OUTDOOR ENCLOSURE
MATERIAL/FINISH: ANSI 61 GRAY BAKED POWDER COAT PAINT OVER G-90 GLAVANIZED, PHOSPHATIZED STEEL

VIEW SHOWN WITH COVERS REMOVED

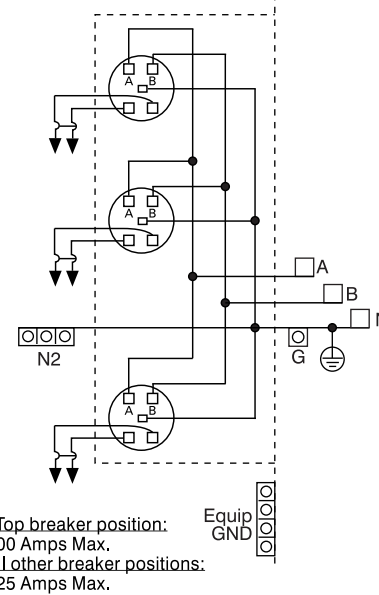


Terminal Wire Sizes and Torques

(refer to schematic)

| Terminal | Wire Size | Torque |
|-----------------------|--|-----------|
| A, B, N1 | 750 kcmil-1/0 CU-AL (2) 250kcmil-1/0 AL (2) 3/0 - 1/0 AWG CU | 500 LB-IN |
| N2, G | 300 kcmil - #4 AWG | 275 LB-IN |
| Equip GND | #2/0 - 4 AWG | 110 LB-IN |
| Alt. Lug Kit WPLK2400 | (2) 300 kcmil-#4 AWG | 275 LB-IN |

Schematic



Accessories and Replacement Parts

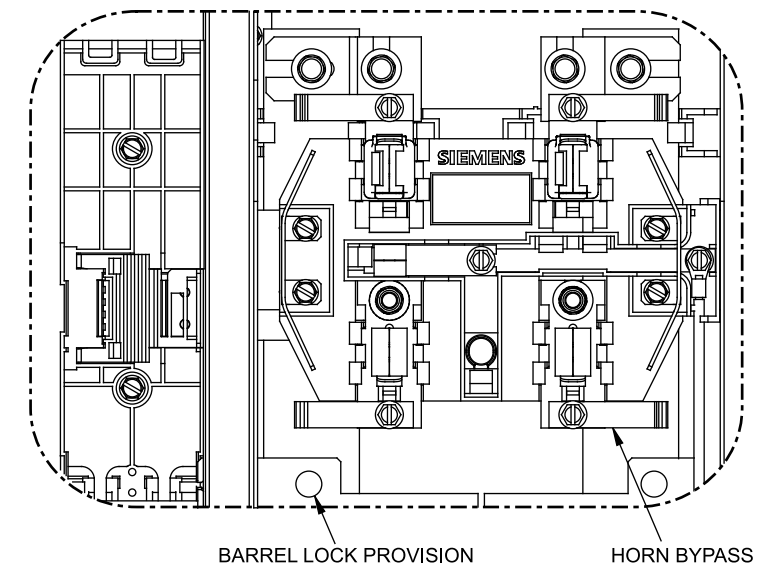
| Description | Catalog No. |
|------------------------------|-------------|
| Horn By-Pass | ECMFH |
| 5th Jaw | ECMF5 |
| 5th Jaw, Insulated | ECMF5i |
| Meter Cover Plate, Ringless | ECCP3 |
| Meter Cover Plate, Ring Type | ECPP |
| Meter Socket | ECMFS |
| 125A Breaker Mounting | ECMFBM1 |
| 225A Breaker Mounting | ECMFBM2 |
| Meter Cover, Ring Type | ECMFMC |
| Meter Cover, Ringless | ECMFMCr |
| Load Cover Screws | ECMFCS |
| Bottom Pull Cover | ECMFC |
| Quick Phase Strap | ECMFPS |
| Breaker Cover Repl. | ECBC |
| Ground/Ntl Bar Kit | ECMFGN125 |
| Ringless Conversion Kit | ECMMLCK |
| QP Breaker Retainer | ECMBR2 |

Hubs

Use HD Type Hubs if required

| Trade Size (in) | Catalog No. |
|-----------------|-------------|
| 2" | EC56854 |
| 2-1/2" | EC56855 |
| 3" | EC56856 |
| 3-1/2" | EC56857 |
| 4" | EC56858 |
| Closure Plate | EC56933S |

Enlarged Socket Detail



Cat. No. WP4312RJB SHOWN

SIEMENS
Siemens Industry, Inc.

Uni-PAK Metering

Description: **WP Series**
400A Bus, 3 Position, 200A Meter

KAM 10/21/11 DO NOT SCALE DRAWING Dwg No: **WP4312x**