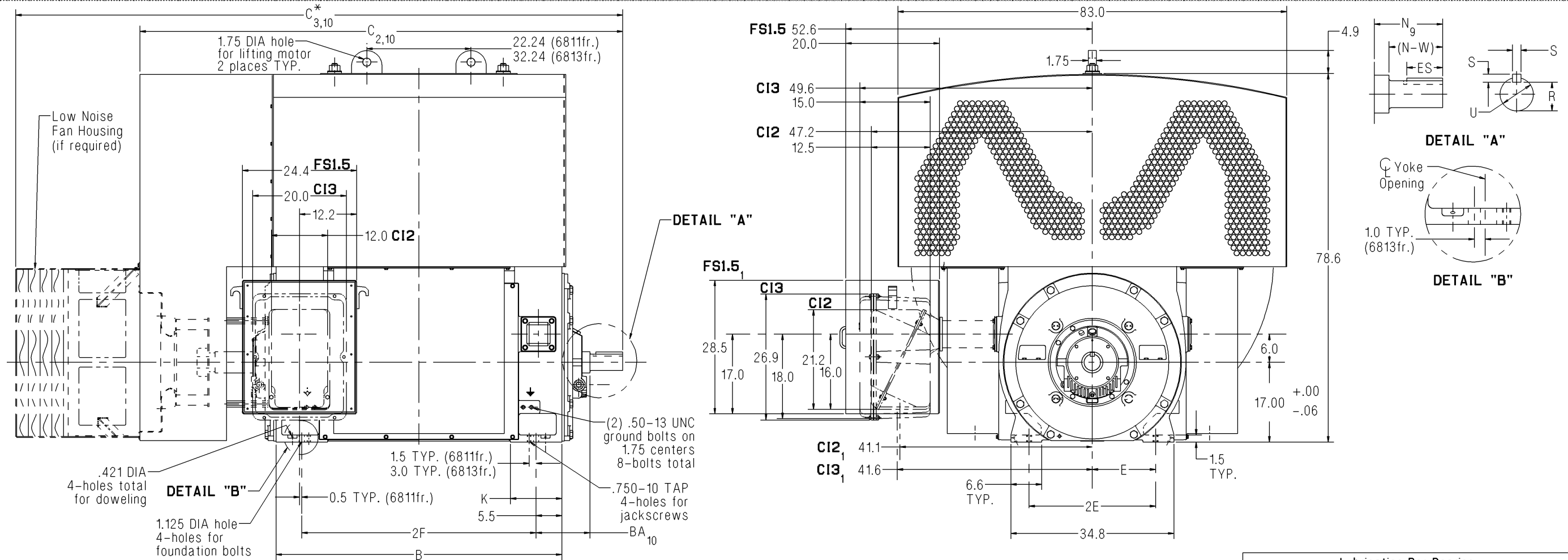


# SIEMENS

Dimension Prints for Above NEMA Motors

Type CAZ – Horizontal – TEAAC with Shaft Mounted Fan  
Sleeve Bearing – Direct Connected  
Frames 6811 / 6813 – Rotatable Main Conduit Box



**Notes:**

- Main conduit box may be rotated 90° towards drive end only.  
A removable bottom plate is supplied on the FS1.5 conduit box.  
A 5.0 N.P.T. is supplied on the CI2 and CI3 conduit boxes.  
A 12.0" spacer is supplied on both frames for all rotatable conduit boxes.
- C = Length of motor from drive end of shaft to end of standard fan housing.
- C\* = Length of motor from drive end of shaft to end of low noise fan housing.
- V = (N-W) - 0.25" = length of shaft available for coupling.
- Machines rotate in one direction only.
- Shims may be necessary under motor feet for direct connection.
- Rotor end float = 0.5"
- End float of LEF coupling = 0.19"
- Adding a rotating labyrinth seal to the drive end decreases N by:  
2 Pole: 0.80" 4 Pole: 0.80" 6 Pole & Slower: 0.80"
- When adding a ground brush, consult the factory. (BA, C, and C\* will increase.)
- For motors equipped with provisions for proximity probes use this print for our standard internal mounting.
- Approximate Ship Weight is based on standard aluminum cooling tubes.

Lubrication Per Bearing	
2 Pole	4 Pole & Slower
140-160 SUS @ 100°F	290-350 SUS @ 100°F
3.0 qt. capacity	3.0 qt. capacity

**Standard Dimensions in Inches**

Shaft	Frame	Speed	B	BA <sub>10</sub>	C <sub>2,10</sub>	C* <sub>3,10</sub>	E	2F	K	N <sub>9</sub>	(N-W)	R	S	U	V <sub>4</sub>	ES	Approx. Ship Wt. (Lbs) <sub>12</sub>
Short	6811	2 Pole	61.0	11.50	103.5	129.5	13.50	50.0	11.0	7.97	7.00	3.007	0.875	3.500	6.75	5.75	13500
Short	6811	4 Pole	61.0	11.50	105.8	131.8	13.50	50.0	11.0	10.22	9.25	4.169	1.250	4.875	9.00	8.0	14300
Short	6811	6 Pole & Slower	61.0	11.50	105.8	131.8	13.50	50.0	11.0	10.22	9.25	4.676	1.250	5.375	9.00	8.0	14100
Short	6813	2 Pole	74.0	11.50	116.5	142.5	13.50	63.0	12.5	7.97	7.00	3.007	0.875	3.500	6.75	5.75	16300
Short	6813	4 Pole	74.0	11.50	118.8	144.8	13.50	63.0	12.5	10.22	9.25	4.169	1.250	4.875	9.00	8.0	17100
Short	6813	6 Pole & Slower	74.0	11.50	118.8	144.8	13.50	63.0	12.5	10.22	9.25	4.676	1.250	5.375	9.00	8.0	16600

**Certification:** Customer \_\_\_\_\_ P.O. \_\_\_\_\_ S.O. \_\_\_\_\_ Item \_\_\_\_\_  
 HP \_\_\_\_\_ RPM \_\_\_\_\_ Frame \_\_\_\_\_ PH/HZ/Volts 3/\_\_\_\_\_/\_\_\_\_\_  
 By \_\_\_\_\_ Date \_\_\_\_\_ Terminal Box Size CI2  CI3  FS1.5   
 Comments \_\_\_\_\_  
 Not for construction, installation or application purposes unless certified.

CAZ\_680\_2plusPL\_SLV\_ROT  
Revision 01  
01/19/09