

REVISION	DATE	BY	DATE	BY
			15/11/17	JW

Confidential – Property of  
Siemens Industry, Inc.

CUSTOMER	
ORDER NO.	DWG. NO.
	3F3Y045K4FCD16
	SH 1 OF 2

# SIEMENS

CATALOG NO. 3F3Y045K4FCD16  
 SERIAL NO. SERIES H  
 45 kVA 60 Hz 3 PHASE  
 2.0 % IMP AT 135 °C

115 °C RISE 30 °C AVG. AMBIENT  
 220 °C TEMP CLASS 40 °C MAX. AMBIENT

PRIMARY ( H1 H2 H3 ) 480V V 10 kV BIL  
 SECONDARY( X0 X1 X2 X3 ) 208Y/120V V 10 kV BIL

WINDING MATERIAL CU  
 ENCLOSURE TYPE 3R WEIGHT 615 LBS  
 ENERGY EFFICIENCY EXCEEDS CSA DOE 10 CFR PART 431:2016  
 C802.2-2012

SPACINGS BETWEEN ANY VENTILATED ENCLOSURE PANEL AND  
 ANY ADJACENT WALL SHALL BE A MINIMUM OF 5 INCHES  
 EXCEPT WHEN WALL MOUNTED USING APPROVED WALL MOUNTING KIT  
 ELECTROSTATIC SHIELD

SUITABLE FOR NONSINUSOIDAL CURRENT LOAD WITH K-FACTOR NOT TO EXCEED K-4  
 SUITABLE FOR INDOOR OR OUTDOOR LOCATIONS  
 BEFORE HANDLING, INSTALLING AND OPERATING, SEE INSTRUCTION MANUAL

NEMA Class ANN Dry Type Transformer  
 Siemens Industry, Inc. Norcross, GA 6800076

VOLTS  
504  
492  
480  
468  
456  
444  
432

CONNECT  
1  
2  
3  
4  
5  
6  
7

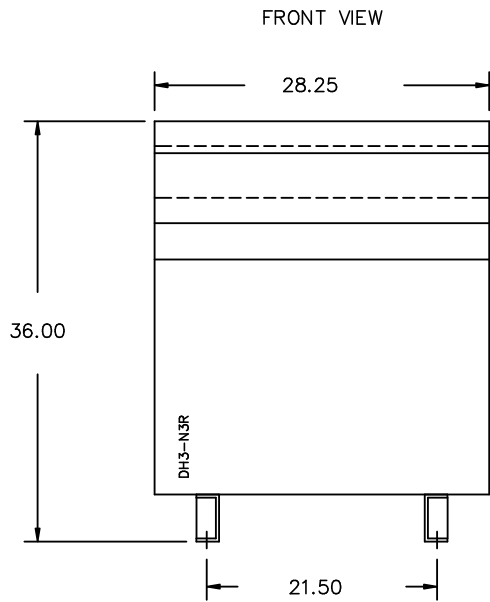
**LISTED**  
UL  
7705  
E112313

TYPE K  
DRY TYPE  
TRANSFORMER  
E112313

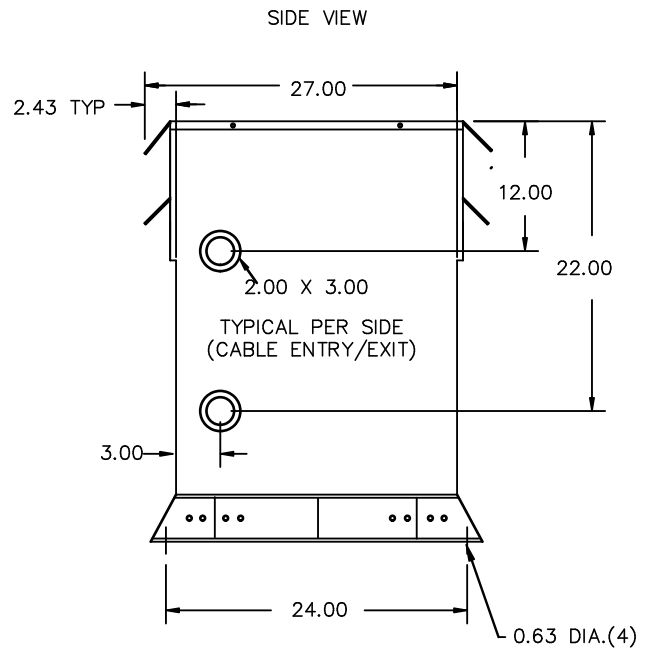
LR 3902

SEISMIC QUALIFICATIONS, FLOOR MOUNT ONLY  
 OSP-0136-10 IBC 2012/ASCE 7-10  
 SDS<=2.0g Z/h=1 Ip=1.5





All Dimensions in inches



ENCLOSURE COLOR :ANSI 61 GREY – OUTDOOR

H.V.1. TERMINAL DETAIL

L.V.1. TERMINAL DETAIL

MECHANICAL TYPE LUGS INCLUDED  
SUITABLE FOR #2/0-14 CU/AL  
CONDUCTORS  
1 CONDUCTOR PER PHASE

MECHANICAL TYPE LUGS INCLUDED  
SUITABLE FOR 600MCM-2 CU/AL  
CONDUCTORS  
1 CONDUCTOR PER PHASE

CUSTOMER NOTES:

- HV1 TERMINATED AT TOP FRONT
- LV1 TERMINATED AT BOTTOM FRONT

Confidential – Property of  
Siemens Industry, Inc.

REVISION	DATE	BY	DATE	BY	CUSTOMER
			DRAWN 15/11/17	JW	
			CHEK'D		
			VERIF'D		
					ORDER NO.
					DWG. NO. 3F3Y045K4FCD16
					SH 2 OF 2