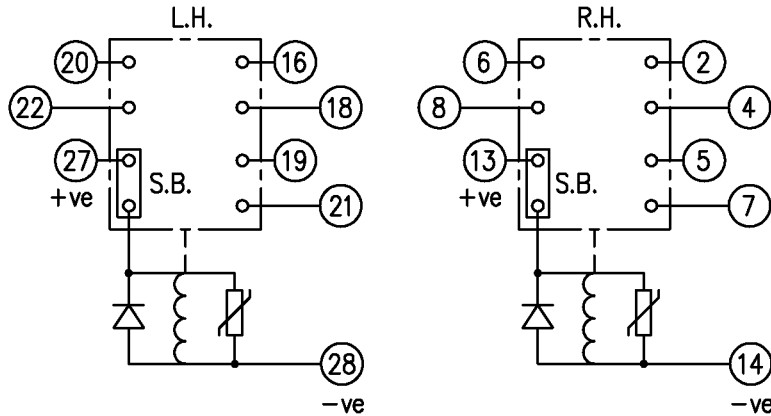


LOOKING ON FRONT OF RELAY



NOT SUBJECT TO UPDATE
ONCE COPIED / PRINTED
OR DOWNLOADED

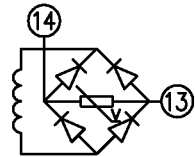
PRINTED ON 29/01/2004
ENSURE CORRECT REVISION
DESTROY AFTER USE

KEY

- make contact
- break contact
- c/o contact
- ext. conn
- plug bridge - shorting
- metering point
- 5Kv barrier
- test socket - shorting
- plug & socket

CONTACT CONFIG.		OUTPUT CONTACT PAIR / TERMINAL No.					
R.H. →	L.H. →	1-3	2-4	5-7	6-8	9-11	10-12
3M 1SB			M	M	M		
2M 1B 1SB			B	M	M		
1M 2B 1SB			B	M	B		
3B 1SB			B	B	B		

NOTE: WHEN RECTIFIER IS SPECIFIED
COIL CONNS. ARE AS SHOWN.



FRAME REFERENCE: E4FS09.

FRAME TERMINAL BLOCK ASSY: -

ASSEMBLY INSTRUCTIONS: -
TYPICAL ASSEMBLY DRAWING 2995G10032.
AT INDICATED POSITIONS FIT AS FOLLOWS:
T - FIT TRIP ISOLATION CONTACT 2995B10053
S - FIT STANDARD CONTACT 2995B10054
SECURE CONTACTS USING FIXING SCREW 2109F99009.
POSITIONS SHOWN BLANK ARE UNUSED

2	T		1
4	T		3
6	T	T	5
8	T	T	7
10			9
12			11
14	S	S	13
16	T		15
18	T		17
20	T	T	19
22	T	T	21
24			23
26			25
28	S	S	27

VIEW FROM NUMBERED
SIDE OF BLOCK

OUTER TERMINAL BLOCK ASSY: -

ASSEMBLY INSTRUCTIONS: -
TYPICAL ASSEMBLY DRAWING 2995G10029.
AT INDICATED POSITIONS FIT AS FOLLOWS:
S - FIT STANDARD CONTACT 2995B10051
HC - FIT 'HEAVY CURRENT' KIT 2995G10030
WHERE IS SHOWN FIT CT SHORTING
KIT 2995G10031
POSITIONS SHOWN BLANK ARE UNUSED.
ALL POSITIONS FIT SCREW 2106F12506.

2	S		1
4	S		3
6	S	S	5
8	S	S	7
10			9
12			11
14	S	S	13
16	S		15
18	S		17
20	S	S	19
22	S	S	21
24			23
26			25
28	S	S	27

VIEW FROM INSIDE
FACE

Copyright © 2002 VA TECH Reyrolle Ltd. Hebburn

			Title: T.B. AND W.D. FOR AR212SBD 4 CONTACT RELAYS IN EPSILON E4 CASE.		First used on:		
					Similar Articles:		
					Supersedes:		
			Original Scale:		Drg.No.		
2 RDW 16/01/04 MN112/2606			VA TECH Reyrolle		2112W50154		
1 03/09/02			AUTOMATION, CONTROL & PROTECTION				
ISSUE	DATE	MOD.No.	DRAWN: A.LAW.	CHECKED: RDW	APPROVED: R.D.WATSON	DATE: 03/10/02	IE: OPS: