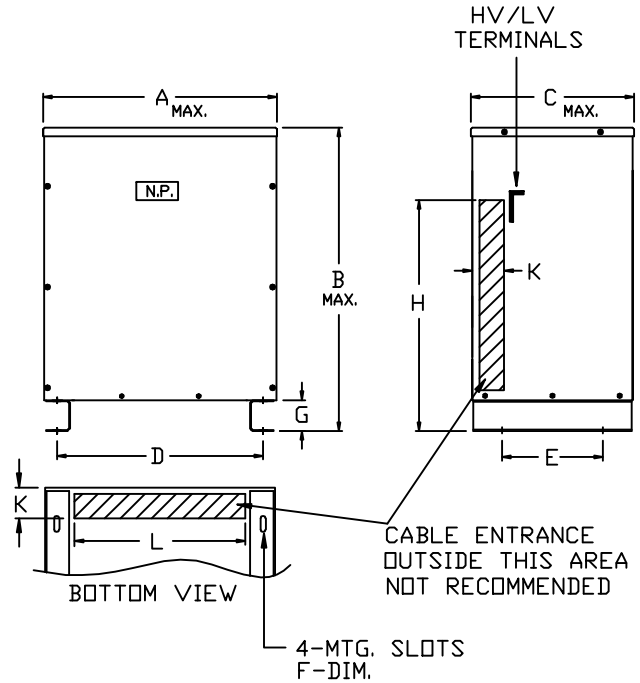


SIEMENS

DRY TYPE TRANSFORMERS

NOTES:

- 1) ALL UNITS ARE UL LISTED AND ARE DESIGNED IN ACCORDANCE WITH ANSI C89.2 AND NEMA ST-20 STANDARDS.
- 2) THESE TRANSFORMERS UTILIZE A UL RECOGNIZED 220°C INSULATION SYSTEM, TEMPERATURE RISE AS INDICATED IN THE TABLE.
- 3) TRANSFORMERS ARE DRY TYPE, CLASS AA, ENCLOSURE FOR INDOOR OR OUTDOOR USE
- 4) FOR LIFTING OTHER THAN WITH FORK TRUCK, REMOVE TOP COVER AND USE CORE CLAMPS FOR 45KVA & UP.
- 5) PAINT COLOR IS ANSI #61 GRAY.
- 6) FULL WIDTH COPPER ELECTROSTATIC SHIELD (OPTIONAL).
- 7) 6" REQUIRED CLEARANCE FROM THE WALLS.
8. HV/LV TERMINALS ARE TOP FRONT TERMINATED.



DIMENSIONS IN (E)=INCHES & (M)=CENTIMETERS

KVA	TEMP. RISE °C	NET WT. LBS.	A		B		C		D		E		F		G		H		K		L	
			E	M	E	M	E	M	E	M	E	M	E	M	E	M	E	M	E	M	E	M
			15	115	310	22.0	55.9	25.0	63.5	17.0	43.2	17.4	44.1	13.0	33.0	.56x1.13	1.42x2.87	3.0	7.6	13.0	33.0	3.0
30	115	585	27.0	68.6	32.0	81.3	21.0	53.3	23.5	59.7	16.0	40.6	.56x1.13	1.42x2.87	3.0	7.6	18.0	45.7	3.0	7.6	20.0	50.8
45	115	775	29.0	73.7	38.0	96.5	23.0	58.4	25.5	64.8	18.0	45.7	.56x1.13	1.42x2.87	3.0	7.6	20.0	45.8	3.0	7.6	22.0	55.9
75	115	1000	33.0	83.8	42.0	107	26.0	66.0	29.5	74.9	21.0	53.3	.56x1.13	1.42x2.87	3.0	7.6	23.0	58.4	4.0	10.2	25.5	64.8
112.5	115	1315	35.0	88.9	46.0	117	30.0	76.2	31.5	80.0	25.0	63.5	.56x1.13	1.42x2.87	3.0	7.6	32.0	81.3	5.0	12.7	27.5	69.9
150	115	1665	35.0	88.9	52.0	132	30.0	76.2	31.5	80.0	25.0	63.5	.56x1.13	1.42x2.87	3.0	7.6	32.0	81.3	5.0	12.7	27.5	69.9
225	115	2460	48.0	122	60.0	154	33.0	83.8	42.0	107	27.0	68.6	.56x1.13	1.42x2.87	4.0	10.2	36.0	91.4	5.0	12.7	34.0	86.4
300	115	4300	52.0	132	72.0	183	40.0	102	34.0	86.4	42.0	107	.56x1.13	1.42x2.87	4.0	10.2	50.0	112	5.0	12.7	32.0	81.3
500	115	5500	66.0	168	81.0	206	44.0	112	63.0	160	38.5	97.8	.56x1.13	1.42x2.87	5.0	12.7	60.0	152	6.0	15.2	48.0	122

KVA	QTY.	CATALOG NO.	VOLTAGE		TAPS	DRAWING
			PRIMARY	SECONDARY		
						<input type="checkbox"/> APPROVAL
						<input type="checkbox"/> RECORD
						<input type="checkbox"/> OTHER

CUST.	DWN. BY:	Siemens Industry, Inc.
	DATE:	
JOB	CHK. BY:	TOTALLY ENCLOSED TRANSFORMERS THREE-PHASE, 600 VOLTS CLASS, 60 HZ. K-FACTOR (1) RATED - ALUMINUM
P.O.	DATE:	
TIE	APVD. BY:	
S.O.	DATE:	DWG. NO. J-136
		REV. A DATE 12/06/10