

## 9510 / 9610 TRAN Model

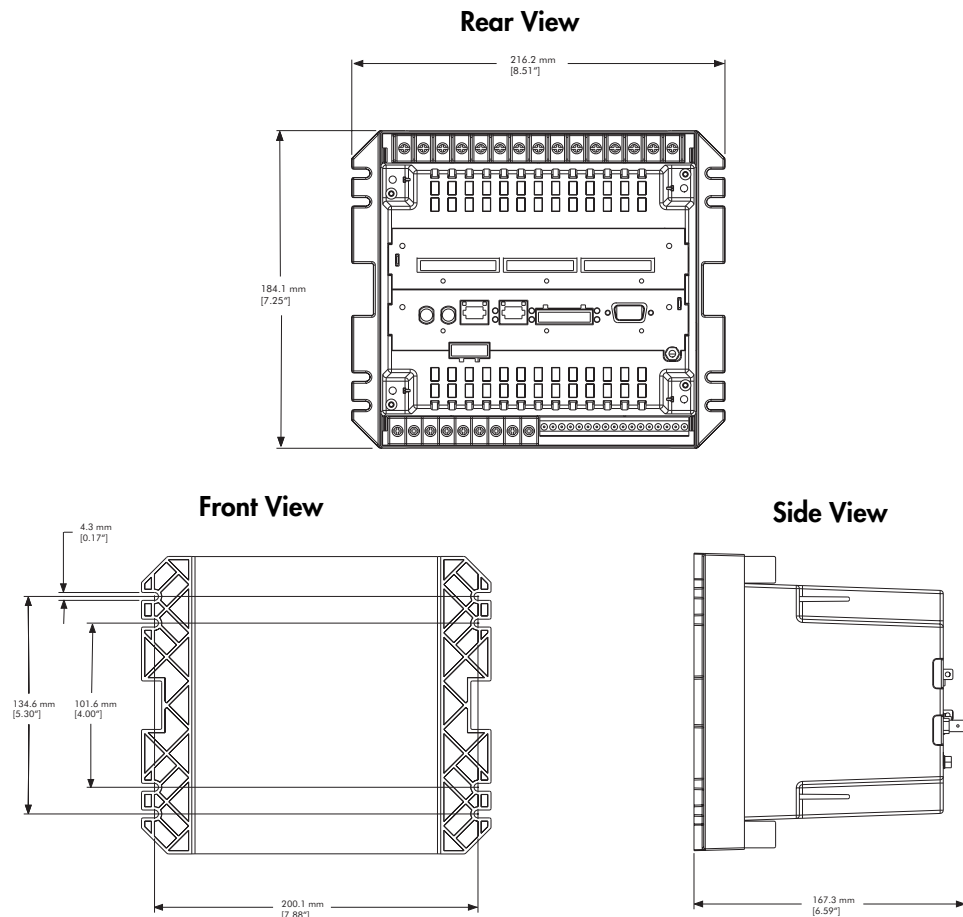
This document supplements the *9510 / 9610 Installation Guide*. Refer to that document for detailed instructions and precautions. All specifications for the TRAN model are the same as for the standard model, except where noted in this document.

### Step 1: Mount the Meter

#### Environmental Conditions

Operating range for the TRAN meter is  $-20$  to  $+70^{\circ}\text{C}$  ( $-4$  to  $+158^{\circ}\text{F}$ ) with no formation of ice. The TRAN meter can be mounted flush against any flat surface.

#### TRAN Dimensions



## Steps 2-7: Refer to the 9510 / 9610 Installation Guide

### Step 8: Set Up the Meter

Use ION Setup software to configure your TRAN meter. ION Setup is available as a free download from the Siemens website.

1. Connect the meter's COM1 RS-232 port to the computer's serial port using a null modem cable. While COM1 port accepts both RS-232 and RS-485 connections, it is preset to RS-232 until you manually change the COM1 Mode to RS-485. This cannot be done on a TRAN until communications are first established with the meter. If you initially require RS-485 connections, use COM2 port.
2. Launch ION Setup. The default user name is "supervisor" and password is "0". Ensure the "Single ION device configuration mode" checkbox is selected. Click OK.
3. In the "Connection Type" box, select the computer's communications port that you used to connect to your meter (for example, "Serial Port 2"). Click OK. ION Setup automatically establishes communications.
4. Once communications are established, double-click the Setup Assistant on the right pane of the ION Setup window.
5. At a minimum, configure the following settings:

Setup Assistant Screen	Sub-Folder	Tab	Settings	Default
Basic Setup		PT/CT Ratios	Volts Mode	4-Wire Wye
			PT Prim	120
			PT Sec	120
			CT Prim	5
			CT Sec	5
Communications	Serial Settings	Com1	Baud Rate	9600
			Unit ID	From serial number <sup>1</sup>
			Mode	RS-232
		Com2	Protocol	ION
			Baud Rate	9600
			Unit ID	101
Communications	Network Settings	TCP/IP	IP Address	None
			Subnet Mask	None
			Gateway	None
Power Quality		Sag/Swell	Nominal voltage	0
Clock		Timezone	Timezone	0
			Local Time	No default <sup>2</sup>
Security		Standard	Webserver Config Access	Enabled

<sup>1</sup> Serial number = PA-0302B222-01, Unit ID = 2222

<sup>2</sup> Click TimeSync to perform a time synchronization (using computer time) or set local time manually.

 **CAUTION**

Changing certain COM settings may result in loss of communication with the meter; if this occurs, restart ION Setup and reconnect to the meter.

---

## **Step 9: Refer to the *9510 / 9610 Installation Guide***

## **Step 10: View Meter Data in ION Setup**

1. Click View > Data Screens.
2. Double-click the Real Time icon to view real-time measurement data.
3. Click Window > Network Viewer to go back to the Data Screens.
4. To display communications diagnostics data, click Tools > Diagnostics.