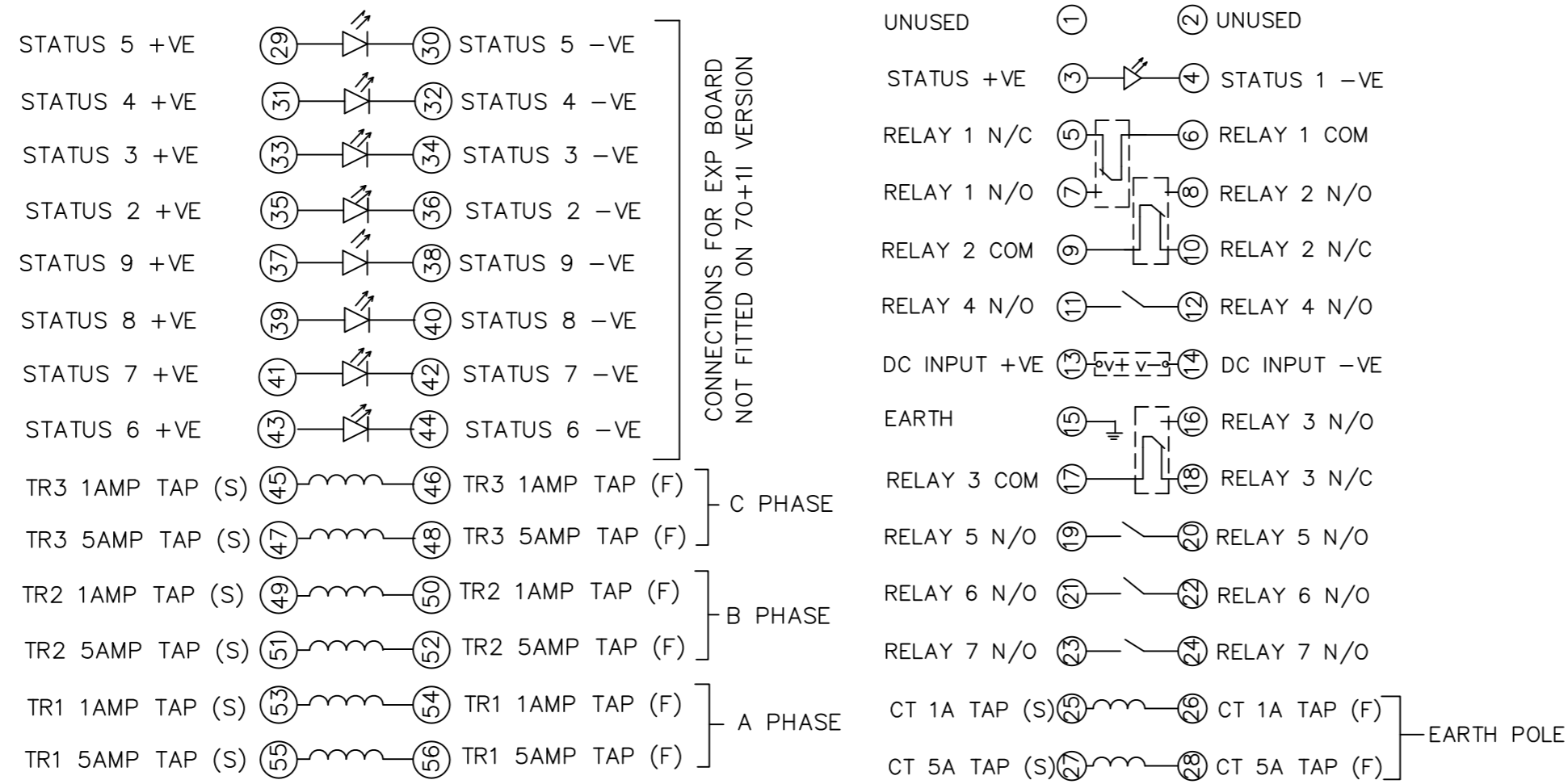
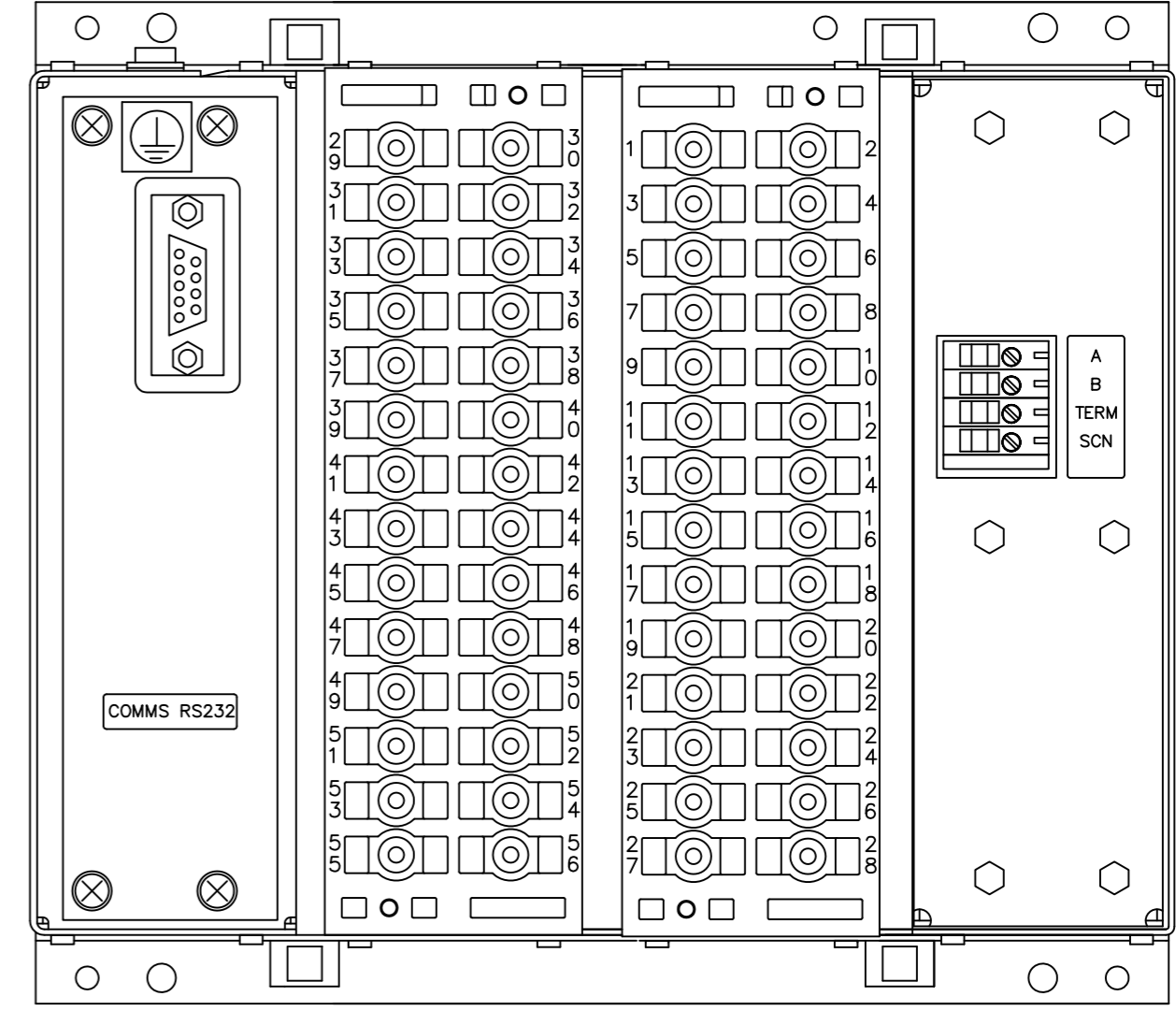


IF IN DOUBT ASK  
DO NOT SCALE



CONNECTIONS FOR EXP BOARD  
NOT FITTED ON 70+11 VERSION



OUTER TERMINAL BLOCK ASSY: -  
VIEW BLOCK FROM THE INSIDE FACE  
ASSEMBLY INSTRUCTIONS: -  
TYPICAL ASSEMBLY DRAWING 2995G10029  
AT INDICATED POSITIONS FIT AS FOLLOWS,  
S - FIT STANDARD CONTACT  
2995B10051  
HC - FIT 'HEAVY CURRENT' KIT  
2995G10030  
WHERE -o-o- IS SHOWN FIT  
CT SHORTING KIT 2995G10031  
POSITIONS SHOWN BLANK ARE UNUSED  
ALL POSITIONS FIT SCREW 2106F12506

30	S	S	29
32	S	S	31
34	S	S	33
36	S	S	35
38	S	S	37
40	S	S	39
42	S	S	41
44	S	S	43
46	-o-o-	-o-o-	45
48	-o-o-	-o-o-	47
50	-o-o-	-o-o-	49
52	-o-o-	-o-o-	51
54	-o-o-	-o-o-	53
56	-o-o-	-o-o-	55

OUTER TERMINAL BLOCK ASSY: -  
VIEW BLOCK FROM THE INSIDE FACE  
ASSEMBLY INSTRUCTIONS: -  
TYPICAL ASSEMBLY DRAWING 2995G10029  
AT INDICATED POSITIONS FIT AS FOLLOWS,  
S - FIT STANDARD CONTACT  
2995B10051  
HC - FIT 'HEAVY CURRENT' KIT  
2995G10030  
WHERE -o-o- IS SHOWN FIT  
CT SHORTING KIT 2995G10031  
POSITIONS SHOWN BLANK ARE UNUSED  
ALL POSITIONS FIT SCREW 2106F12506

2	S	S	1
4	S	S	3
6	S	S	5
8	S	S	7
10	-o-o-	-o-o-	9
12	S	S	11
14	S	S	13
16	S	S	15
18	-o-o-	-o-o-	17
20	S	S	19
22	S	S	21
24	S	S	23
26	-o-o-	-o-o-	25
28	-o-o-	-o-o-	27

VIEW FROM NUMBERED SIDE OF BLOCK  
ASSEMBLY INSTRUCTIONS: -  
TYPICAL ASSEMBLY DRAWING 2995G10032  
AT INDICATED POSITIONS FIT AS FOLLOWS,  
T - FIT TRIP ISOLATION CONTACT  
2995B10053  
S - FIT STANDARD CONTACT  
2995B10054  
POSITIONS SHOWN BLANK ARE UNUSED

2	T	T	1
4	T	T	3
6	T	T	5
8	T	T	7
10	T	T	9
12	T	T	11
14	T	T	13
16	T	T	15
18	S	S	17
20	S	S	19
22	S	S	21
24	S	S	23
26	S	S	25
28	S	S	27

VIEW FROM NUMBERED SIDE OF BLOCK  
ASSEMBLY INSTRUCTIONS: -  
TYPICAL ASSEMBLY DRAWING 2995G10032  
AT INDICATED POSITIONS FIT AS FOLLOWS,  
T - FIT TRIP ISOLATION CONTACT  
2995B10053  
S - FIT STANDARD CONTACT  
2995B10054  
POSITIONS SHOWN BLANK ARE UNUSED

2	S	S	1
4	T	T	3
6	S	S	5
8	T	T	7
10	S	S	9
12	T	T	11
14	S	S	13
16	T	T	15
18	S	S	17
20	T	T	19
22	T	T	21
24	T	T	23
26	S	S	25
28	S	S	27

NOT SUBJECT TO UPDATE  
ONCE COPIED / PRINTED  
OR DOWNLOADED

NOTES  
1 TERMINALS RECOMMENDED ARE PRE INSULATED & MUST BE CRIMPED USING APPROVED TOOLING.  
AMP PIDG OR PLASTI GRIP FUNNEL ENTRY (RING TONGUE) FOR M4 FIXING STUD.  
SUPPLIER AMP CABLE SIZE  
AMP 342103 0.25-1.6 SQ MM  
AMP 342143 1.0-2.6 SQ MM.  
OR ANY OTHER MANUFACTURERS EQUIVALENT TERMINAL.  
2 FOR OUTLINE & DRILLING DRG SEE 2995X10008 (A4).

MATERIAL:  
Dimensions in millimetres ; Surface texture in micrometres.  
Machine where marked ✓  
For explanation of dimensions, tolerances, notes etc. see B.S.308.  
Limit on untoleranced unmachined dimensions ± \_\_\_\_\_  
Limits on untoleranced machined dimensions to B.S.4500;  
i.e. up to 6±0.1; over 30 to 120±0.3; over 315±0.8;  
over 6 to 30±0.2; over 120 to 315±0.5;  
General unmachined angular tolerance ± \_\_\_\_\_

Finish:	Title:	First used on:
Treatment:	TERMINAL IDENTITY & RELAY WIRING DIAGRAM FOR SOLKOR-N IN E8 CASE, RS232 PILOTWITE & RS485 COMMS.	Similar Articles:
	<b>SIEMENS PROTECTION DEVICES LTD.</b>	Supersedes:
	Original Scale: NTS	Dr. No. 2646W50008
DRAWN RDW	CHECKED R.D.WATSON	APPROVED R.D.WATSON
DATE 18/10/08	IE	OPS PCP
Purch.Spec. TQ	EAC	CE STD A2

Copyright © 2007 Siemens Protection Devices Ltd. Hebburn

1	18/10/07	CHANGE
ISSUE	DATE	NOTED