

# SIEMENS



## Product Guide

# Type VBII Heavy Duty Switches with Crouse-Hinds Interlocked Receptacle

- 30-100A in both fusible and non-fusible versions
- Available in both Type 12 and 4X stainless steel enclosures
- Rugged installer-friendly enclosure design features a gasket flange with continuously welded seams
- Tool free cover latches
- Ground bar supplied as standard and connected to 4th wire in receptacle
- Metal handle with large insulating grip features a positive stop in both ON and OFF positions
- Type 12 enclosures are fabricated from galvanized steel and are also rated for 3R/3S outdoor applications
- Type 4X stainless steel switches (30-100A) are provided with stainless steel interior parts
- Optional viewing window available which allows viewing of both visible blade and indicating type fuses
- Insertion or removal of the plug is prevented when the switch is in the ON position
- All switches are UL listed under file #E4776. Window switches are also CSA certified under file #1079316.

## Ordering information

Ampere rating <sup>2)</sup>	Type 12 <sup>3)</sup>	Type 4/4X <sup>4)</sup>	Shipping wt. (lbs.) Std. pkg.	Accepts Crouse-Hinds Artlite <sup>1)</sup> plug Catalog number
	Catalog number	Catalog number		
<b>240V fusible, 3-pole, 3-wire</b>				
30	HF321JCH	HF321SCH▲	23	APJ3485 & NPJ3485
60	HF322JCH	HF322SCH▲	30	APJ6485 & NPJ6485
100	HF323JCH	HF323SCH▲	36	APJ10487 & NPJ10487
<b>600V fusible, 3-pole, 3-wire</b>				
30	HF361JCH	HF361SCH	24	APJ3485 & NPJ3485
60	HF362JCH	HF362SCH	30	APJ6485 & NPJ6485
100	HF363JCH	HF363SCH▲	36	APJ10487 & NPJ10487
<b>600V non- fusible, 3-pole, 3-wire</b>				
30	HNF361JCH▲	HNF361SCH▲	22	APJ3485 & NPJ3485
60	HNF362JCH	HNF362SCH	29	APJ6485 & NPJ6485
100	HNF363JCH▲	HNF363SCH▲	35	APJ10487 & NPJ10487
<b>600V fusible, 3-pole, 3-wire with viewing window</b>				
30	HF361JCHW▲	HF361SCHW▲	24	APJ3485 & NPJ3485
60	HF362JCHW	HF362SCHW	30	APJ6485 & NPJ6485
100	HF363JCHW▲	HF363SCHW▲	36	APJ10487 & NPJ10487
<b>600V non-fusible, 3-pole, 3-wire with viewing window</b>				
30	HNF361JCHW▲	HNF361SCHW▲	22	APJ3485 & NPJ3485
60	HNF362JCHW	HNF362SCHW▲	29	APJ6485 & NPJ6485
100	HNF363JCHW▲	HNF363SCHW▲	35	APJ10487 & NPJ10487

▲ Built to order. Allow 6-8 weeks for delivery.

<sup>1)</sup> Arktite™ is a registered trademark of the Crouse-Hinds Company.  
Plugs are not sold or supplied by Siemens.

<sup>2)</sup> Ampere rating of both switch and receptacle.

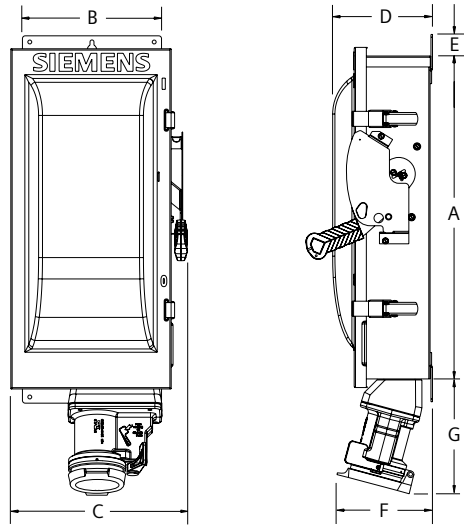
<sup>3)</sup> Also rated Type 3R/3S.

<sup>4)</sup> Enclosure is constructed of Type 304 stainless steel.

## Line lug wire ranges

Switch ampere rating	Wire range with wire bending space per NEC Table 373-6	Lug wire range
30	#14-6 AWG (Cu/Al)	(1) #14-2 AWG (Cu/Al)
60	#14-3 AWG (Cu/Al)	(1) #14-2 AWG (Cu/Al)
100	#14-1/0 AWG (Cu/Al)	#14-1/0 AWG (Cu/Al)

**Note:** 30-100A ground lug (1) #14-4 AWG (Cu/Al)



Catalog Number	Dimensions (inches)						
	A	B	C	D	E	F	G
<b>240V fusible, 3 pole, 3 wire</b>							
HF321JCH HF321SCH	14.27	7.42	9.02	6.22	1.52	6.1	6.0
HF322JCH HF322SCH	16.27	9.17	11.47	6.34	1.52	6.4	7.4
HF323JCH HF323SCH	21.96	9.65	12.02	6.80	1.52	6.5	7.6
<b>600V fusible, 3 pole, 3 wire</b>							
HF361JCH HF361SCH	14.27	7.42	9.02	6.22	1.52	6.1	6.0
HF362JCH HF362SCH	16.27	9.17	11.47	6.34	1.52	6.4	7.4
HF363JCH HF363SCH	21.96	9.65	12.02	6.80	1.52	6.5	7.6
<b>600V non-fusible, 3 pole, 3 wire</b>							
HNF361JCH HNF361SCH	11.12	7.42	9.02	6.22	1.52	6.1	6.0
HNF362JCH HNF362SCH	16.27	9.17	11.47	6.34	1.52	6.4	7.4
HNF363JCH HNF363SCH	21.96	9.65	12.02	6.80	1.52	6.5	7.6
<b>600V fusible, 3 pole, 3 wire with viewing window</b>							
HF361JCHW <sup>1)</sup> HF361SCHW <sup>1)</sup>	14.27	7.42	9.02	6.22	1.52	6.1	6.0
HF362JCHW <sup>2)</sup> HF362SCHW <sup>2)</sup>	16.27	9.17	11.47	6.34	1.52	6.4	7.4
HF363JCHW <sup>3)</sup> HF363SCHW <sup>3)</sup>	21.96	9.65	12.02	6.80	1.52	6.5	7.6
<b>600V non-fusible, 3-pole, 3 wire with viewing window</b>							
HNF361JCH <sup>4)</sup> HNF361SCH <sup>4)</sup>	11.12	7.42	9.02	6.22	1.52	6.1	6.0
HNF362JCH <sup>2)</sup> HNF362SCH <sup>2)</sup>	16.27	9.17	11.47	6.34	1.52	6.4	7.4
HNF363JCH <sup>3)</sup> HNF363SCH <sup>3)</sup>	21.96	9.65	12.02	6.80	1.52	6.5	7.6
<b>Pyle-National interlocked receptacle switches, 3-pole, fusible and non-fusible</b>							
HF361JPN HNF361JPN HF361SPN HNF361SPN	14.27	7.4	9.0	10.46	1.52	5.32	2.60
HF322JPN HF362JPN HNF362JPN HF362SPN HNF362SPN	16.27	9.94	11.47	10.4	1.52	5.3	4.49

1) Viewing window is 3.00" high and 3.93" wide.

2) Viewing window is 3.75" high and 5.84" wide.

3) Viewing window is 4.75" high and 5.61" wide.

4) Viewing window is 1.75" high and 3.93" wide.

Siemens Industry, Inc.  
5400 Triangle Parkway  
Norcross, GA 30092

1-800-241-4453  
info.us@siemens.com

[usa.siemens.com/switches](http://usa.siemens.com/switches)

Subject to change without prior notice.  
Order No: XXXX-XXXX-XXXX  
All rights reserved.  
Printed in USA  
©2013 Siemens Industry, Inc.

The information provided in this brochure contains merely general descriptions or characteristics of performance which in case of actual use do not always apply as described or which may change as a result of further development of the products. An obligation to provide the respective characteristics shall only exist if expressly agreed in the terms of contract.

All product designations may be trademarks or product names of Siemens AG or supplier companies whose use by third parties for their own purposes could violate the rights of the owners.