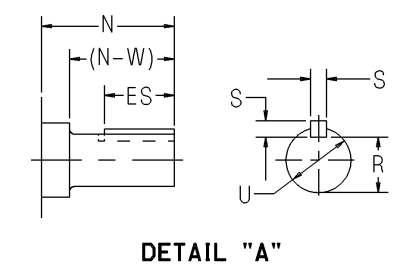
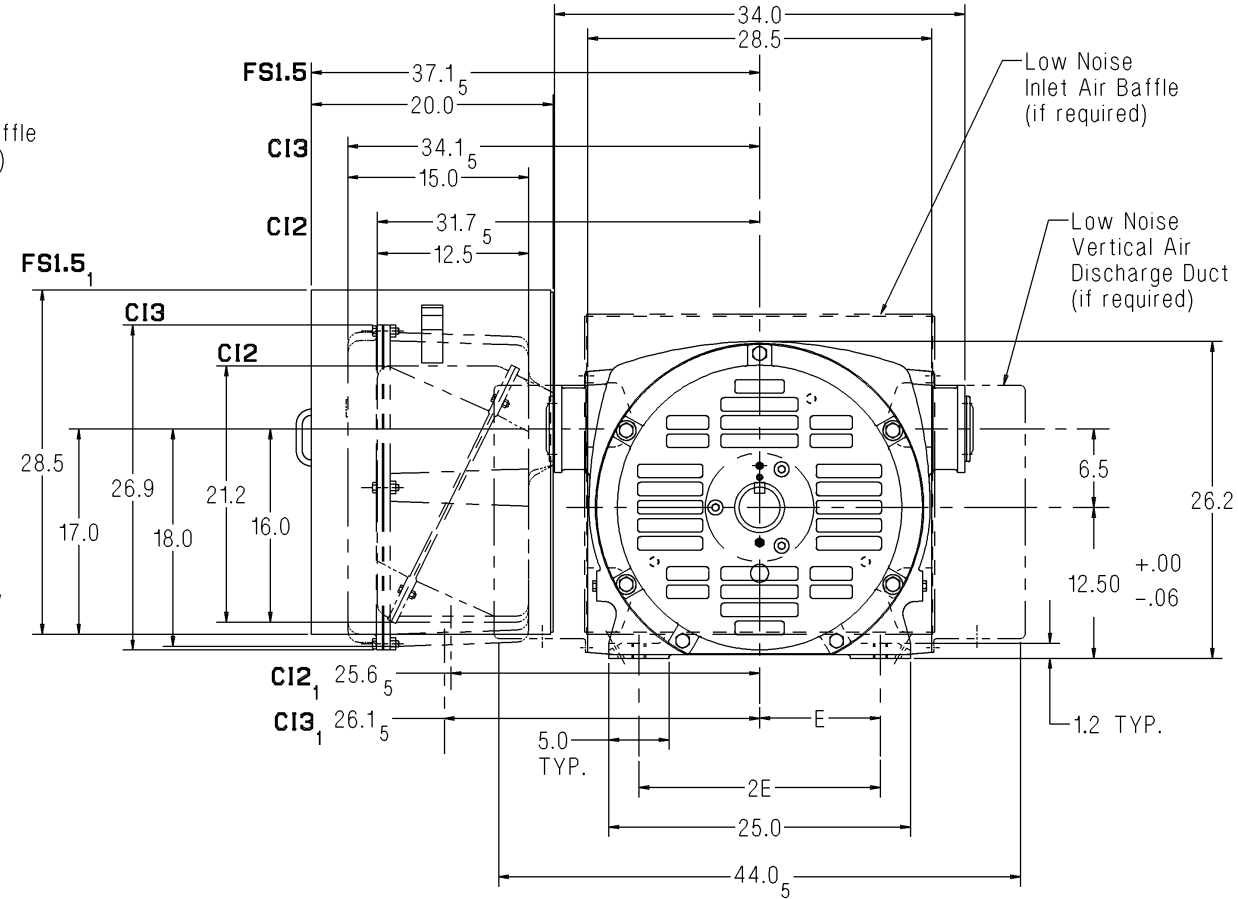
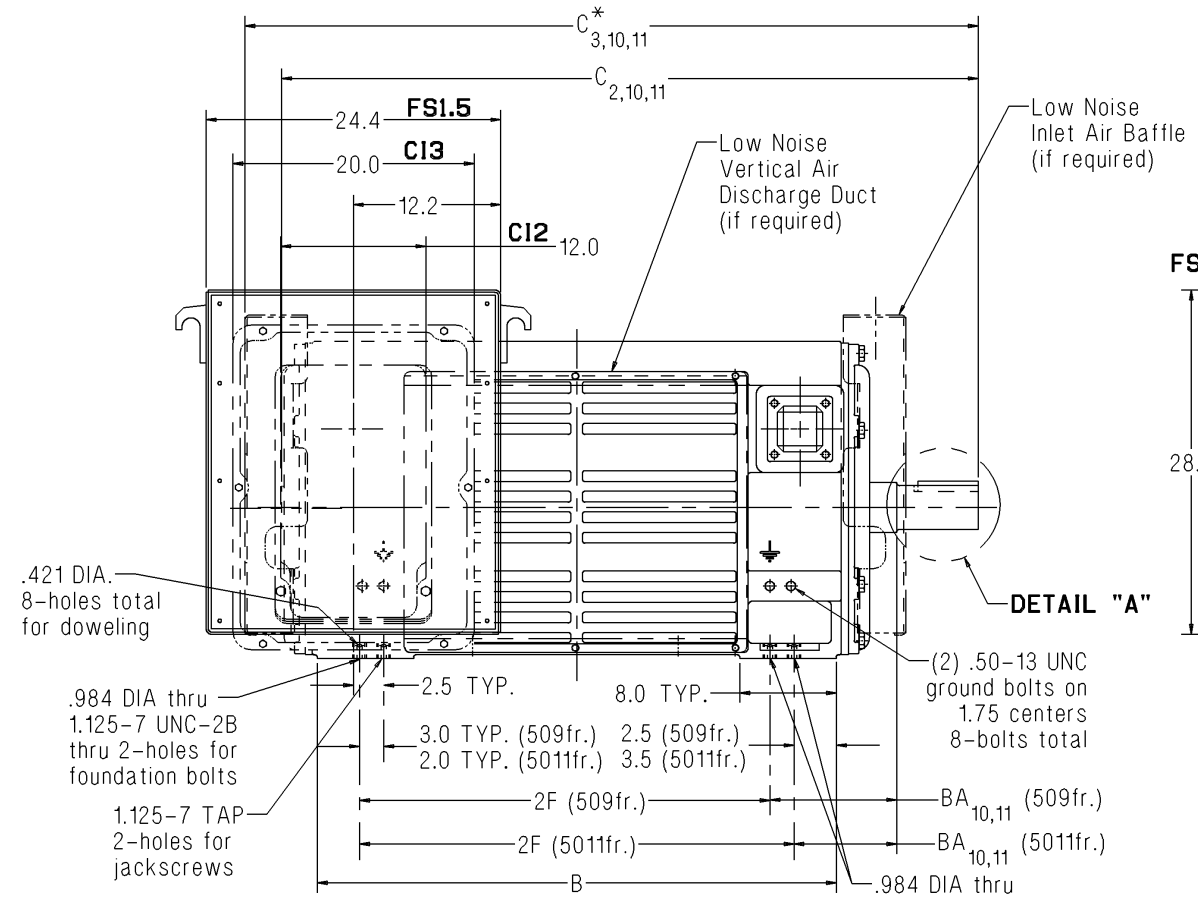


# SIEMENS

Dimension Prints for Above NEMA Motors

Type NCG – Custom Horizontal – Open Drip Proof / Weather Protected Type I  
Anti-Friction Bearing  
Frames 509 & 5011 – Rotatable Main Conduit Box



**Notes:**  
 1. Main conduit box may be rotated in steps of 90°. A removable bottom plate is supplied on the FS1.5 conduit box. A 5.0 N.P.T. is supplied on the C12 and C13 conduit boxes.  
 2. C = Length of motor from drive end of shaft to end of non-drive end of motor.  
 3. C\* = Length of motor from drive end of shaft to edge of low noise inlet air baffle.  
 4. V = (N-W)-0.25" = length of shaft available for coupling.  
 5. Adding a low noise vertical air discharge duct requires a 6.0" spacer for all rotatable conduit boxes. All associated conduit box dimensions will change accordingly.  
 6. 2 Pole machines may rotate in one direction only.  
 7. Shims may be necessary under motor feet for direct connection.  
 8. Short shaft is for direct connection. Long shaft may be either belt drive or direct connection depending upon the bearing installed in the motor.  
 9. Adding a rotating labyrinth seal to the drive end does not change any dimensions.  
 10. Adding a ground brush increases BA, C, and C\* by:  
 509 Frame: 2 Pole: 2.50" 4 Pole & Slower: 2.50" Long Shaft 4 Pole & Slower: 2.50"  
 5011 Frame: 2 Pole: 0.50" 4 Pole & Slower: 0.50" Long Shaft 4 Pole & Slower: 0.50"  
 11. Adding a ground brush with rotating labyrinth seal increases BA, C, and C\* by:  
 509 Frame: 2 Pole: 2.50" 4 Pole & Slower: 2.50" Long Shaft 4 Pole & Slower: 2.50"  
 5011 Frame: 2 Pole: 0.50" 4 Pole & Slower: 0.50" Long Shaft 4 Pole & Slower: 0.50"

**Standard Dimensions in Inches**

Shaft	Frame	Speed	B	BA <sub>10,11</sub>	C <sub>2,10,11</sub>	C* <sub>3,10,11</sub>	E	2F	N	(N-W)	R	S	U	V <sub>4</sub>	ES	Approx. Ship Wt. (Lbs)
Short	509S	2 Pole	36.0	8.50	47.2	50.1	10.00	28.0	5.50	5.25	2.275	0.625	2.625	5.00	3.5	3700
Short	509S	4 Pole & Slower	36.0	8.50	48.7	51.6	10.00	28.0	7.00	6.75	2.880	0.875	3.375	6.50	5.0	4000
Short	5011S	2 Pole	43.0	8.50	56.2	59.1	10.00	36.0	7.50	5.25	2.275	0.625	2.625	5.00	3.5	4600
Short	5011S	4 Pole & Slower	43.0	8.50	57.7	60.6	10.00	36.0	9.00	6.75	2.880	0.875	3.375	6.50	5.0	4800
Long	509	4 Pole & Slower	36.0	8.50	51.4	54.3	10.00	28.0	9.75	9.50	3.436	1.000	4.000	9.25	8.0	4000
Long	5011	4 Pole & Slower	43.0	8.50	60.4	63.3	10.00	36.0	11.75	9.50	3.436	1.000	4.000	9.25	8.0	4800

**Certification:** Customer \_\_\_\_\_ P.O. \_\_\_\_\_ S.O. \_\_\_\_\_ Item \_\_\_\_\_  
 HP \_\_\_\_\_ RPM \_\_\_\_\_ Frame \_\_\_\_\_ PH/HZ/Volts 3/\_\_\_\_\_/\_\_\_\_\_  
 By \_\_\_\_\_ Date \_\_\_\_\_ Terminal Box Size C12  C13  FS1.5   
 Comments \_\_\_\_\_  
 Not for construction, installation or application purposes unless certified.

NCG\_509and5011\_2plusPL\_AF\_ROT  
 Revision 01  
 01/28/09