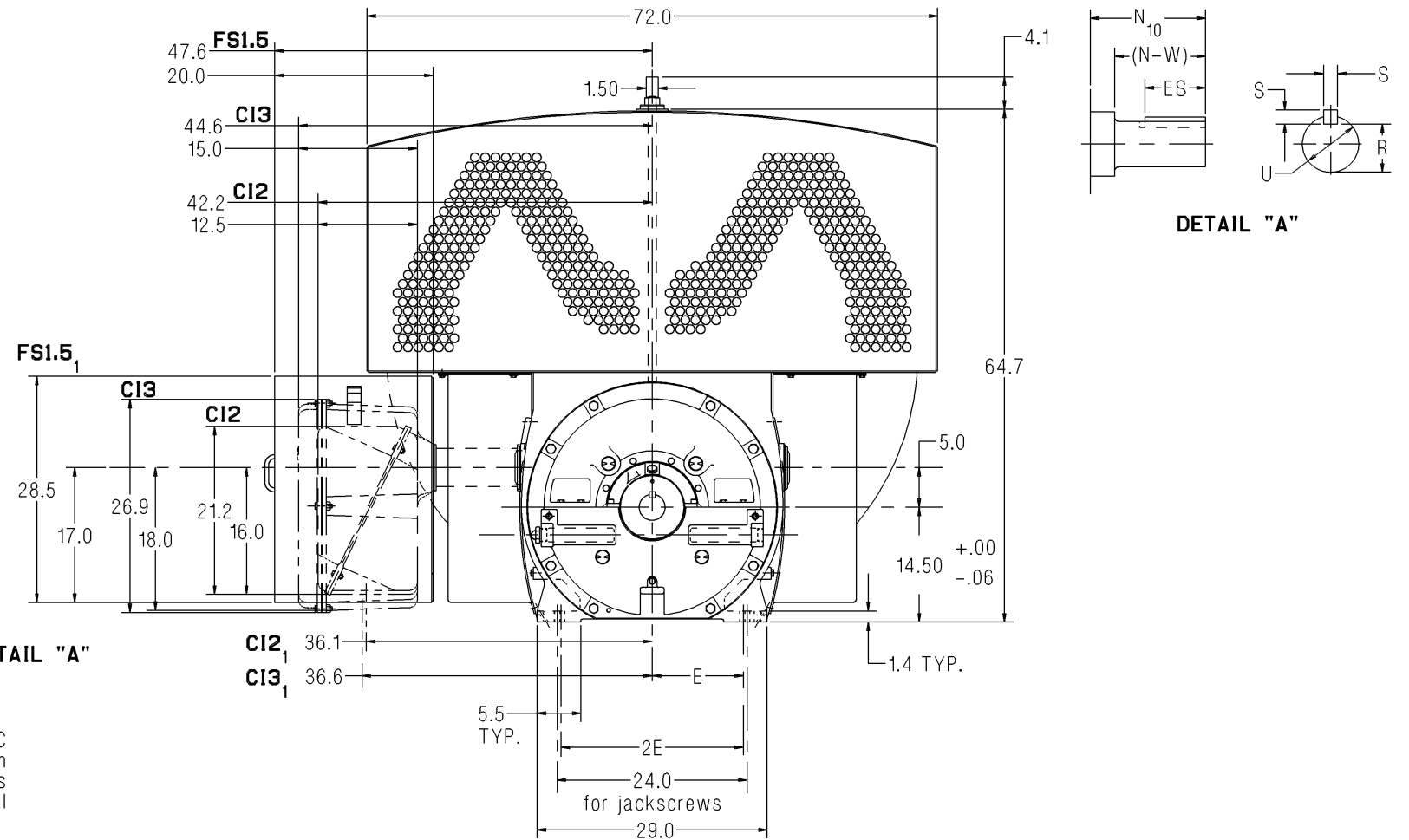
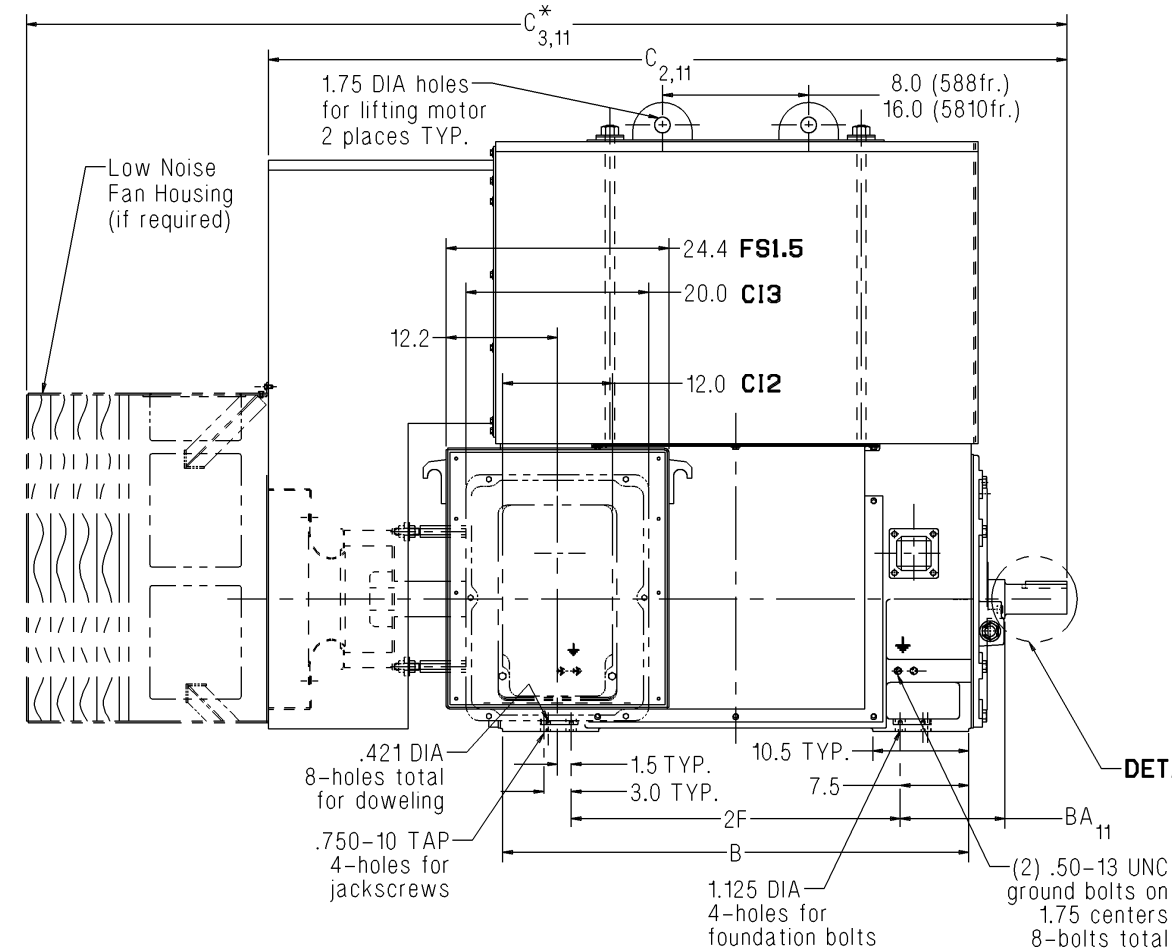


SIEMENS

Type CAZ – Horizontal – TEAAC with Shaft Mounted Fan Sleeve Bearing – Direct Connected Frames 588 / 5810 – Rotatable Main Conduit Box

Dimension Prints for Above NEMA Motors



Notes:

- Main conduit box may be rotated 90° towards drive end only.
A removable bottom plate is supplied on the FS1.5 conduit box.
A 5.0 N.P.T. is supplied on the CI2 and CI3 conduit boxes.
A 10.75" spacer is supplied on both frames for all rotatable conduit boxes.
- C = Length of motor from drive end of shaft to end of standard fan housing.
- C* = Length of motor from drive end of shaft to end of low noise fan housing.
- $V = (N-W) - 0.25$ = length of shaft available for coupling.
- Machines rotate in one direction only.
- Shims may be necessary under motor feet for direct connection.
- Approximate ship weight is based on standard aluminum cooling tubes.
- Rotor end float = 0.5"
- End float of LEF coupling = 0.19"
- Adding a rotating labyrinth seal to the drive end decreases N by:
2 Pole: 0.28" 4 Pole & Slower: 0.28"
- When adding a ground brush, consult the factory. (BA, C, and C* will increase.)
- For motors equipped with provisions for proximity probes use this print for our standard internal mounting.

Lubrication Per Bearing	
2 Pole	4 Pole & Slower
140-160 SUS @ 100°F	290-350 SUS @ 100°F
3.5 qt. capacity	3.5 qt. capacity

Standard Dimensions in Inches

Shaft	Frame	Speed	B	BA ₁₁	C _{2,11}	C* _{3,11}	E	2F	N ₁₀	(N-W)	R	S	U	V ₄	ES	Approx. Ship Wt. (Lbs) ₇
Short	588S	2 Pole	43.0	10.00	78.3	104.3	11.50	28.0	7.13	6.75	2.880	0.875	3.375	6.50	5.0	7100
Short	588S	4 Pole & Slower	43.0	10.00	79.6	105.6	11.50	28.0	8.38	8.00	3.436	1.000	4.000	7.75	6.0	7300
Short	5810S	2 Pole	51.0	10.00	86.3	112.3	11.50	36.0	7.13	6.75	2.880	0.875	3.375	6.50	5.0	8500
Short	5810S	4 Pole & Slower	51.0	10.00	87.6	113.6	11.50	36.0	8.38	8.00	3.436	1.000	4.000	7.75	6.0	8700

Certification: Customer _____ P.O. _____ S.O. _____ Item _____
 HP _____ RPM _____ Frame _____ PH/HZ/Volts 3/_____/_____/_____
 By _____ Date _____ Terminal Box Size CI2 CI3 FS1.5
 Comments _____
 Not for construction, installation or application purposes unless certified.

CAZ_580_2plusPL_SLV_ROT
Revision 01
01/27/09