

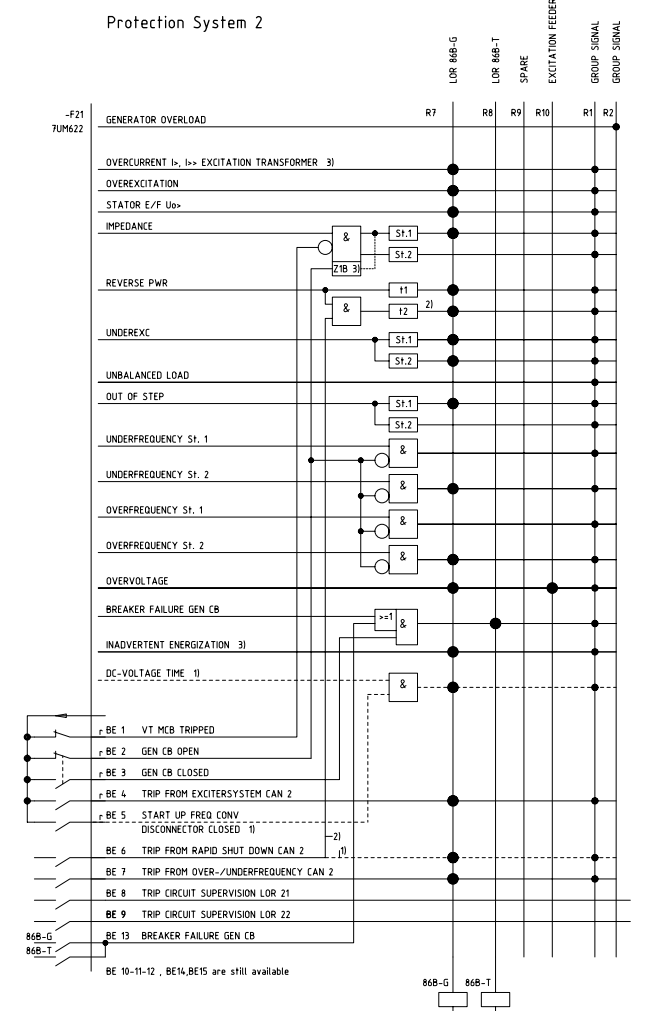
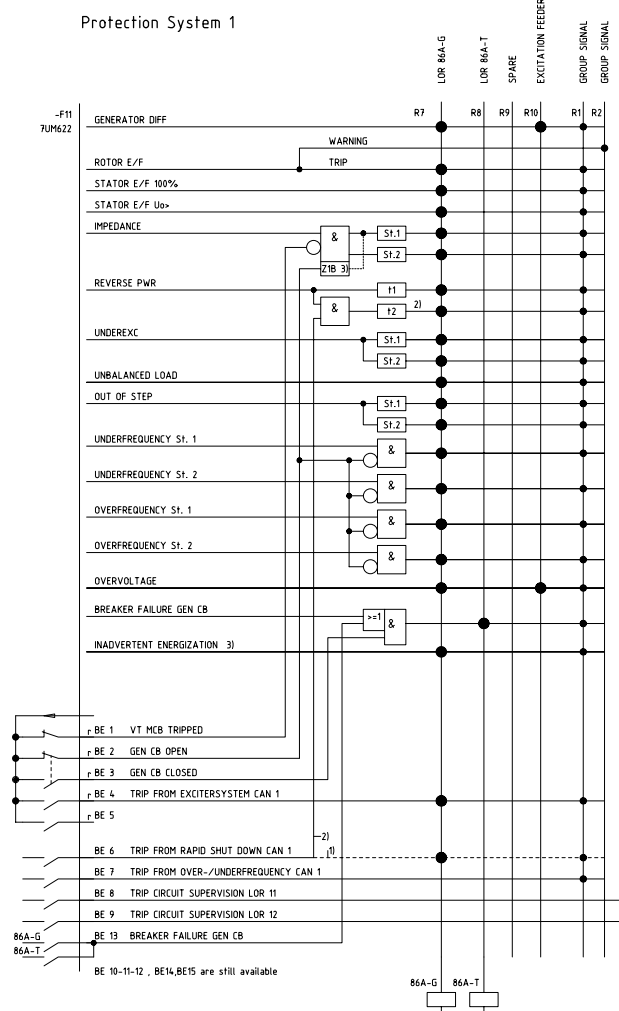
Archib. SIPROTEC / YU / 7UM6 / 005 / 41
 Date of print: 02.10.2012
 File-Name: 000008

Copyright (C) Siemens AG, 2002. All Rights Reserved

Project: LIBRARY 1: SIPROTEC
 LIBRARY 2: XXXX
 LIBRARY 3: XXXX
 LIBRARY 4: XXXX
 LIBRARY 5: XXXX
 LIBRARY 6: XXXX
 LIBRARY 7: XXXX
 LIBRARY 8: XXXX
 LIBRARY 9: XXXX
 LIBRARY 10: XXXX
 LIBRARY 11: XXXX
 LIBRARY 12: XXXX
 LIBRARY 13: XXXX
 LIBRARY 14: XXXX
 LIBRARY 15: XXXX
 LIBRARY 16: XXXX
 LIBRARY 17: XXXX
 LIBRARY 18: XXXX
 LIBRARY 19: XXXX
 LIBRARY 20: XXXX
 LIBRARY 21: XXXX
 LIBRARY 22: XXXX
 LIBRARY 23: XXXX
 LIBRARY 24: XXXX
 LIBRARY 25: XXXX
 LIBRARY 26: XXXX
 LIBRARY 27: XXXX
 LIBRARY 28: XXXX
 LIBRARY 29: XXXX
 LIBRARY 30: XXXX
 LIBRARY 31: XXXX
 LIBRARY 32: XXXX
 LIBRARY 33: XXXX
 LIBRARY 34: XXXX
 LIBRARY 35: XXXX
 LIBRARY 36: XXXX
 LIBRARY 37: XXXX
 LIBRARY 38: XXXX
 LIBRARY 39: XXXX
 LIBRARY 40: XXXX
 LIBRARY 41: XXXX
 LIBRARY 42: XXXX
 LIBRARY 43: XXXX
 LIBRARY 44: XXXX
 LIBRARY 45: XXXX
 LIBRARY 46: XXXX
 LIBRARY 47: XXXX
 LIBRARY 48: XXXX
 LIBRARY 49: XXXX
 LIBRARY 50: XXXX
 LIBRARY 51: XXXX
 LIBRARY 52: XXXX
 LIBRARY 53: XXXX
 LIBRARY 54: XXXX
 LIBRARY 55: XXXX
 LIBRARY 56: XXXX
 LIBRARY 57: XXXX
 LIBRARY 58: XXXX
 LIBRARY 59: XXXX
 LIBRARY 60: XXXX
 LIBRARY 61: XXXX
 LIBRARY 62: XXXX
 LIBRARY 63: XXXX
 LIBRARY 64: XXXX
 LIBRARY 65: XXXX
 LIBRARY 66: XXXX
 LIBRARY 67: XXXX
 LIBRARY 68: XXXX
 LIBRARY 69: XXXX
 LIBRARY 70: XXXX
 LIBRARY 71: XXXX
 LIBRARY 72: XXXX
 LIBRARY 73: XXXX
 LIBRARY 74: XXXX
 LIBRARY 75: XXXX
 LIBRARY 76: XXXX
 LIBRARY 77: XXXX
 LIBRARY 78: XXXX
 LIBRARY 79: XXXX
 LIBRARY 80: XXXX
 LIBRARY 81: XXXX
 LIBRARY 82: XXXX
 LIBRARY 83: XXXX
 LIBRARY 84: XXXX
 LIBRARY 85: XXXX
 LIBRARY 86: XXXX
 LIBRARY 87: XXXX
 LIBRARY 88: XXXX
 LIBRARY 89: XXXX
 LIBRARY 90: XXXX
 LIBRARY 91: XXXX
 LIBRARY 92: XXXX
 LIBRARY 93: XXXX
 LIBRARY 94: XXXX
 LIBRARY 95: XXXX
 LIBRARY 96: XXXX
 LIBRARY 97: XXXX
 LIBRARY 98: XXXX
 LIBRARY 99: XXXX
 LIBRARY 100: XXXX

| -F21 7UM622 1/1 | |
|--------------------|--|
| 1 L1 | OVERLOAD 49 |
| 1 L2 | OVERCURRENT I ₁ ... EXC TRF 5150 31 |
| 1 EE1 | OVEREXCITATION 24 |
| 1 EE2 | STATOR E/F U _{0>} 59N |
| 1 L1 | IMPEDANCE 21 |
| 1 L2 | REVERSE PWR 32R |
| 1 EE2 | UNDEREXC 40 |
| 1 L1 | UNBALANCED LOAD 46 |
| 1 L2 | OUT OF STEP 78 |
| 1 L1 | UNDERFREQUENCY S1. 1 81-1 |
| 1 L2 | UNDERFREQUENCY S1. 2 81-2 |
| 1 U _E | OVERFREQUENCY S1. 1 81-1 |
| 1 U _E | OVERFREQUENCY S1. 2 81-2 |
| 1 TD ₁ | OVERVOLTAGE 59 |
| 1 TD ₂ | BREAKER FAILURE BF |
| 1 TD ₃ | INADVERTENT ENERGIZATION 50/27 31 |
| 1 TD ₄ | FUSE FAILURE 60FL 31 |
| 1 U _{Ext} | DC-VOLTAGE TIME 67G 11 |

| -F11 7UM622 1/1 | |
|--------------------|-----------------------------------|
| 1 L1 | GENERATOR DIFF 87G |
| 1 L2 | ROTOR E/F 64R |
| 1 EE1 | STATOR E/F 100% 64G |
| 1 EE2 | STATOR E/F U _{0>} 59N |
| 1 L1 | IMPEDANCE 21 |
| 1 L2 | REVERSE PWR 32R |
| 1 EE2 | UNDEREXC 40 |
| 1 L1 | UNBALANCED LOAD 46 |
| 1 L2 | OUT OF STEP 78 |
| 1 L1 | UNDERFREQUENCY S1. 1 81-1 |
| 1 L2 | UNDERFREQUENCY S1. 2 81-2 |
| 1 U _E | OVERFREQUENCY S1. 1 81-1 |
| 1 U _E | OVERFREQUENCY S1. 2 81-2 |
| 1 TD ₁ | OVERVOLTAGE 59 |
| 1 TD ₂ | BREAKER FAILURE BF |
| 1 TD ₃ | INADVERTENT ENERGIZATION 50/27 31 |
| 1 TD ₄ | FUSE FAILURE 60FL 31 |
| 1 U _{Ext} | |



Legende:

- 1) GT with SFC
- 2) ST
- 3) if required
- 4) u like Gen CT [min: U(GT CT) / 8]

r roofed

Large_Unit_3.pdf

| | | | | | |
|------------|---------|-----------------------|------|----------------------|--|
| SIPROTEC 4 | | 7UM6 | | 005 | |
| ECONOPAC | | Date 02-10-24 | | GENERATOR PROTECTION | |
| | | Drawn Donhauser | | | |
| | | Appr. N.Mueller | | | |
| | | Norm. Dr. Herrmann | | | |
| | | Siemens AG | | Single line diagram | |
| | | (1)E50414-L0...-S100 | | Sheet 1- | |
| | | Orig./Repl.f./Repl.by | | 1 SH | |
| Rev. | Remarks | Date | Name | | |