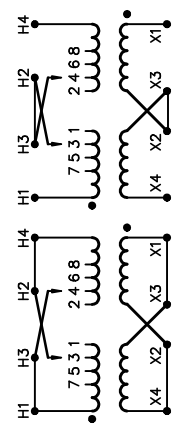



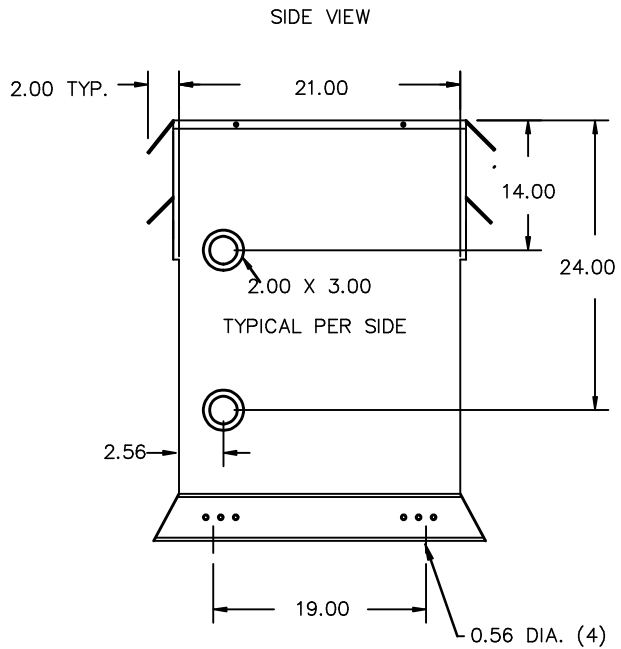
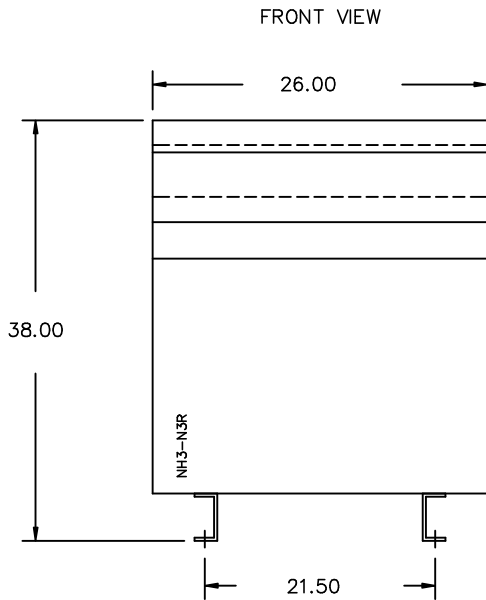
REVISION	DATE	BY	DATE	BY
		DRAWN	08/07/17	CY
		CHEK'D		
		VERIF'D		

<b>Siemens Industry, Inc.</b> Building Technologies Division	
CUSTOMER	
ORDER NO.	DWG. NO.
	1D1Y050BCTP1
	SH 1 OF 2

SIEMENS

CATALOG NO. 1D1Y050BCTP1 SERIAL NO. 50 kVA 60 Hz 1 PHASE 2.6 % IMP AT 100 °C 80 °C RISE °C AVG. AMBIENT 220 °C TEMP CLASS °C MAX. AMBIENT PRIMARY ( H1 H3 H2 H4 ) 240X480 V SECONDARY(X4 X2 X3 X1 ) 120/240 V WINDING MATERIAL CU ENCLOSURE TYPE NEMA-3R WEIGHT 600 LBS ENERGY EFFICIENCY NEMA TP 1-2002	SERIES H 1 PHASE  <table border="1" style="width: 100%; border-collapse: collapse; margin-top: 10px;"> <thead> <tr> <th>VOLTS</th> <th>INPUT LINE ON H1 &amp; H4</th> </tr> </thead> <tbody> <tr> <td>504</td> <td>CONNECT</td> </tr> <tr> <td>492</td> <td>H2-1, H3-2</td> </tr> <tr> <td>480</td> <td>H3-2, H2-3</td> </tr> <tr> <td>468</td> <td>H2-3, H3-4</td> </tr> <tr> <td>456</td> <td>H3-4, H2-5</td> </tr> <tr> <td>444</td> <td>H2-5, H3-6</td> </tr> <tr> <td>432</td> <td>H3-6, H2-7</td> </tr> <tr> <td>252</td> <td>H2-7, H3-8</td> </tr> <tr> <td>240</td> <td>H2-1, H3-2</td> </tr> <tr> <td>228</td> <td>H2-3, H3-4</td> </tr> <tr> <td>216</td> <td>H2-5, H3-6</td> </tr> <tr> <td></td> <td>H2-7, H3-8</td> </tr> </tbody> </table> <p style="margin-top: 10px;">CONNECT H1 TO H3 AND H2 TO H4 FOR PARALLEL PRIMARY</p> <table border="1" style="width: 100%; border-collapse: collapse; margin-top: 10px;"> <thead> <tr> <th>VOLTS</th> <th>CONNECT</th> <th>OUTPUT LINE</th> </tr> </thead> <tbody> <tr> <td>120</td> <td>X1-X3, X2-X4</td> <td>X1-X4</td> </tr> <tr> <td>240</td> <td>X2-X3</td> <td>X1-X4</td> </tr> <tr> <td>240/120</td> <td>X2-X3</td> <td>X1-X2-X4</td> </tr> </tbody> </table>	VOLTS	INPUT LINE ON H1 & H4	504	CONNECT	492	H2-1, H3-2	480	H3-2, H2-3	468	H2-3, H3-4	456	H3-4, H2-5	444	H2-5, H3-6	432	H3-6, H2-7	252	H2-7, H3-8	240	H2-1, H3-2	228	H2-3, H3-4	216	H2-5, H3-6		H2-7, H3-8	VOLTS	CONNECT	OUTPUT LINE	120	X1-X3, X2-X4	X1-X4	240	X2-X3	X1-X4	240/120	X2-X3	X1-X2-X4
VOLTS	INPUT LINE ON H1 & H4																																						
504	CONNECT																																						
492	H2-1, H3-2																																						
480	H3-2, H2-3																																						
468	H2-3, H3-4																																						
456	H3-4, H2-5																																						
444	H2-5, H3-6																																						
432	H3-6, H2-7																																						
252	H2-7, H3-8																																						
240	H2-1, H3-2																																						
228	H2-3, H3-4																																						
216	H2-5, H3-6																																						
	H2-7, H3-8																																						
VOLTS	CONNECT	OUTPUT LINE																																					
120	X1-X3, X2-X4	X1-X4																																					
240	X2-X3	X1-X4																																					
240/120	X2-X3	X1-X2-X4																																					
SPACINGS BETWEEN ENCLOSURE AND ANY ADJACENT WALL SHALL BE A MINIMUM OF 6 INCHES TYPE F  LR 3902 LISTED DISTRIBUTION TRANSFORMER 77US TP 1-2002 SUITABLE FOR INDOOR OR OUTDOOR LOCATIONS DO NOT INSTALL IN AREAS ACCESSIBLE TO PUBLIC FOR INSTALLATION SEE INSTRUCTION MANUAL NEMA Class ANN Dry Type Transformer Siemens Industry, Inc. Norcross, GA																																							





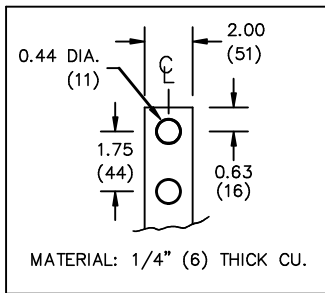
All Dimensions in inches

ENCLOSURE COLOR :ANSI 61 GREY – OUTDOOR

H.V.1. TERMINAL DETAIL

L.V.1. TERMINAL DETAIL

MECHANICAL TYPE LUGS INCLUDED  
SUITABLE FOR 350MCM-6 CU/AL  
CONDUCTORS  
1 CONDUCTOR PER PHASE



CUSTOMER NOTES:

- HV1 TERMINATED AT TOP FRONT
- LV1 TERMINATED AT BOTTOM FRONT

**Siemens Industry, Inc.**  
Building Technologies Division

REVISION	DATE	BY	DATE	BY
			08/07/17	CY

CUSTOMER	
ORDER NO.	DWG. NO.
	1D1Y050BCTP1

SH 2 OF 2