

REVISION	DATE	BY	DATE	BY
		DRAWN	16/09/07	AS
		CHEK'D		
1	CHANGED IMP & WEIGHT:	17/02/17	RM	VERIF'D

Confidential - Property of Siemens Industry, Inc.		
CUSTOMER	ORDER NO.	DWG. NO.
		1D1Y100FESCTP1
		1
		SH 1 OF 2

SIEMENS

CATALOG NO: 1D1Y100FESCTP1

SERIES H
1 PHASE

100 kVA 60 Hz 1 PHASE

4.7 % IMP AT 135 °C

115 °C RISE 30 °C AVG. AMBIENT

220 °C TEMP CLASS 40 °C MAX. AMBIENT

PRIMARY (H1 H2) 240X480 V

SECONDARY(X4 X2 X3 X1) 120/240 V

WINDING MATERIAL CU

ENCLOSURE TYPE 3R

WEIGHT 860 LBS

SPACINGS BETWEEN ENCLOSURE AND ANY ADJACENT WALL SHALL BE A MINIMUM OF 6 INCHES
ELECTROSTATIC SHIELD
MEETS DOE-2016 EFFICIENCY

SUITABLE FOR INDOOR OR OUTDOOR LOCATIONS
DO NOT INSTALL IN AREAS ACCESSIBLE TO PUBLIC
NE PAS INSTALLER DANS DES ENDROITS ACCESSIBLES AU PUBLIC
FOR INSTALLATION SEE INSTRUCTION MANUAL

NEMA Class ANN Dry Type Transformer Siemens Industry, Inc. Norcross, GA

VOLTS	CURRENT	%RATED VOLTAGE	CONNECTION EACH PHASE
504	198	105	1-2
492	203	102.5	2-3
480	208	100	3-4
468	214	97.5	4-5
456	219	95	5-6
444	225	92.5	6-7
432	231	90	7-8
240	416		H1-4, H2-3
228	438		H1-6, H2-5
216	462		H1-8, H2-7

HAM1253

UL E112313 LR 3902

SA®

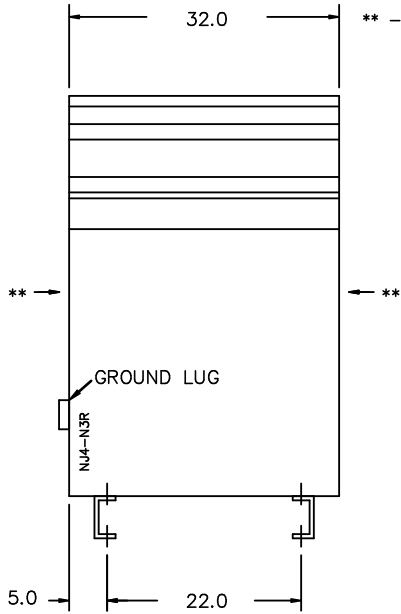
LISTED DISTRIBUTION TRANSFORMER 77US TYPE

dsu0602e



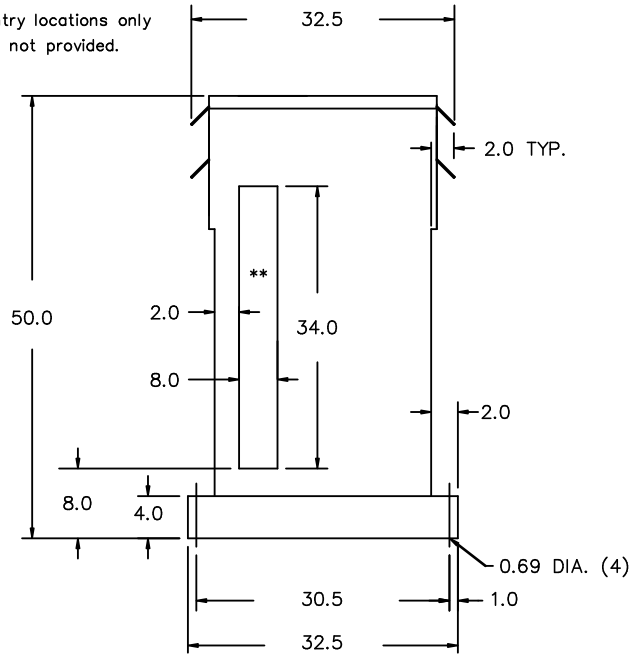
1D1Y100FESCTP1

FRONT VIEW



** - Recommended cable entry locations only
cutouts & gland plates not provided.

SIDE VIEW



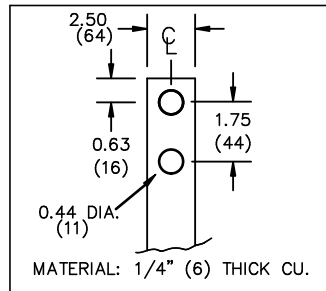
All Dimensions in inches

ENCLOSURE COLOR : ANSI 61 GREY - OUTDOOR

H.V.1. TERMINAL DETAIL

L.V.1. TERMINAL DETAIL

MECHANICAL TYPE LUGS INCLUDED
SUITABLE FOR 350MCM-6 CU/AL
CONDUCTORS
2 CONDUCTORS PER PHASE



CUSTOMER NOTES:

- HV1 TERMINATED AT TOP FRONT
- LV1 TERMINATED AT TOP REAR

Confidential - Property of
Siemens Industry, Inc.

REVISION	DATE	BY	DATE	BY
			16/09/07	AS
				CHEK'D
1	17/02/17	RM		VERIF'D

CUSTOMER		
ORDER NO.	DWG. NO.	1
	1D1Y100FESCTP1	SH 2 OF 2