

# SIEMENS

## Rainproof Combination Metering

Catalog Number  
**MM0404L1400SC**

Enclosure  
Type 3R

### Class CTL Panelboard

Device Rating: 400 Amp, Max; 120/240 Volts ~, 1 phase, 3 wire  
Meter Socket Rating: 400 Amp Max. 320 Amp Continuous

For installation by Qualified Person in accordance with all local electrical codes and/or the National Electrical Code.®

### Suitable Only For Use As Service Equipment

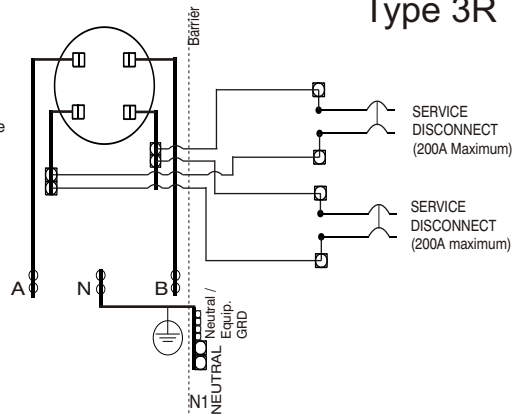
### For Overhead/Underground Service

### Terminals Suitable for 60°/75° C Copper or Aluminum Conductor

Unused neutral branch terminals may be used to terminate equipment grounding wires in the combinations indicated for equipment ground bar terminals.

#### General Information:

Circuit breaker trip position is indicated by handle position midway between ON and OFF. To reset, move handle to OFF position then turn ON.



#### Line Terminals:

Provisions for UL listed one or two hole NEMA mounting terminals.  
Compression terminals to #750 kcmil, single conductor, ILSCO type ACL or 2ACL.  
Installation Tool : THOMAS & BETTS # TBM8 for #10-350kcmil(AL), #8-500kcmil(CU) TBM8-750M-1 for #8-750kcmil(CU/AL)

#### Tightening Torques:

5/16" Nuts(1/2" Drive).....130-140 in-lbs  
3/8" Nuts(9/16" Drive).....240-260 in-lbs  
1/2" Nuts(3/4" Drive) .....490-540 in-lbs

#### Load, Neutral and Ground\* Terminals:

Terminal	Wire Size	Torque
A, B, N		
SUK350TA	(2) #6-350kcmil	275 lb-in
SUK600TA	#2-600kcmil	375 lb-in
SUK1000TA	500-1000kcmil	500 lb-in
N1	300 Kcmil - #4	250 lb. in.
Neutral Bar/ Ground Bar (2/0-14)	#10 - #14 CU	35 in-lbs
	#10 - #12 AL	35 in-lbs
	#8	40 in-lbs
	2/0 - #6	45 in-lbs

Equipment Ground:  
ECGB5, ECGB10, ECGB14

#### Accessories:

Filler Plate QF3 or ECQF3  
200 Amp Main Breaker QN2200RH  
150 Amp Main Breaker QN2150RH  
LUG #6-350 kcmil SUK350TA  
LUG #2-600 kcmil SUK600TA  
LUG 500-1000 kcmil SUK1000TA  
Flush Rail Kit ECFRK2

\* Only Equipment Ground Terminals may use more than one wire per terminal.

Ground Terminal Size	Wire Range	Torque
#4-#14 (ECGB)	(1, 2 or 3) #14,	20 lb-in
	(1 or 2) #12-#10,	20 lb-in
	#8	25 lb-in
	#6-#4	35 lb-in

If hub is required, use the catalog numbers listed below:  
**Trade size (in) Catalog number**  
HD Type Hub (Top and Bottom Endwall)  
(Top Hub Opening Available Only On Surface Mounted Devices)

2"	EC56854
2 1/2"	EC56855
3"	EC56856
3 1/2"	EC56857
4"	EC56858
Closure Plate	EC56933S

#### WARNING:

Removal of meter does not de-energize circuit when By-Pass provided.

Short Circuit Current Rating (Wathour Meter not included in short circuit rating)

This panelboard has a short circuit current rating of 22,000 Amps RMS symmetrical, 120/240 V~. The correct circuit breakers to be used for various short circuit current levels are listed in the tabulation below. Any circuit breaker installed, replaced, or added in this panelboard must be manufactured by Siemens and must be of the correct type as indicated in the tabulations below.

SERVICE DISCONNECTS	Then the maximum short circuit current rating in RMS Symmetrical Amperes 120/240V AC is
When the installed service disconnect is a Siemens type	
NONE or QP, QNR	10,000
NONE or QPH, QNRH	22,000

Siemens Energy & Automation, Inc. Alpharetta, Georgia U.S.A.

MANUFACTURING DATE:

J2

4099922 REV. B

**Important** Do not spray or allow any petroleum based chemicals, solvents, or paint to contact interior components.

®The National Electrical Code is a registered trademark of the National Fire Protection Association.

©2007 Copyright Siemens Energy & Automation, Inc.

ASSEMBLED IN MEXICO