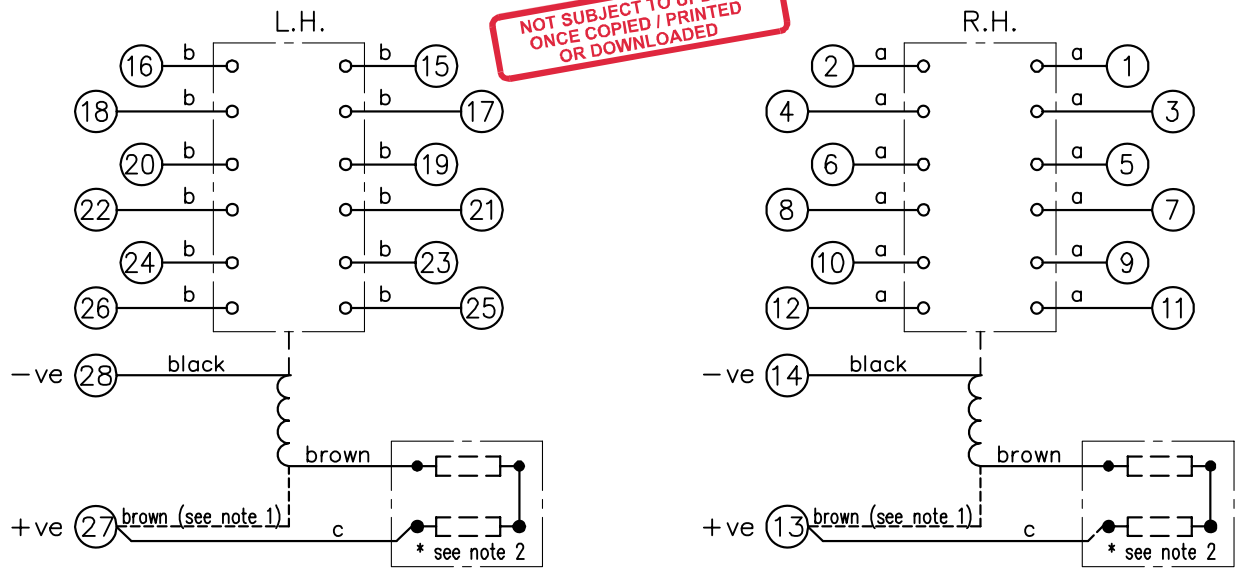


NOT SUBJECT TO UPDATE  
ONCE COPIED / PRINTED  
OR DOWNLOADED

2112W50100



PRINTED ON 31/07/2012  
ENSURE CORRECT REVISION  
DESTROY AFTER USE

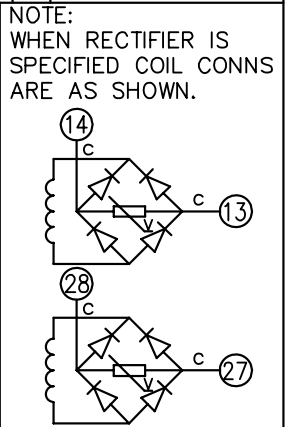
- NOTE:**
- RESISTORS ARE NOT REQUIRED ON OTHER VOLTAGE VARIATIONS, DASHED LINE --- SHOWS CONNECTIONS WHEN RESISTORS ARE NOT FITTED.
  - THE AR141T2 125VDC & 240VDC VERSIONS MUST HAVE RESISTOR 2101C21471 FITTED INSTEAD OF THE ONE SPECIFIED ON CHART. SEE RELEVANT B.O.M.
  - HEAVY DUTY CONTACTS ARE FITTED WITH BLOWOUT MAGNETS AND ARE POLARITY CONSCIOUS, SEE TABLE FOR +VE TERMINAL.

LOOKING ON FRONT OF RELAY

ASSEMBLY WIRES USED	
a	2107B10002 12 OFF
b	2107B10003 12 OFF
c	2107D10164 2 OFF

KEY	125	* 2101C21102 ONLY.	NIL.	SEE NOTE 2 *	2112G20328			
	240	* 2101C21102 +EXT. RES.	EXT. RES. ONLY	SEE NOTE 2 *	2112G20328			
	VDC	RES.(T1,T2,T3,T6).	RES.(T4).	REMARKS	COIL			
make contact	CONTACT CONFIG.		OUTPUT CONTACT PAIR / TERMINAL No.					
break contact	R.H. →		1-3	2-4	5-7	6-8	9-11	10-12
c/o contact	L.H. →		15-17	16-18	19-21	20-22	23-25	24-26
ext. conn	6M	M	M	M	M	M	M	M
plug bridge - shorting	5M 1B	M	B	M	M	M	M	M
metering point	4M 2B	B	B	M	M	M	M	M
5Kv barrier	3M 3B	B	B	M	B	M	M	M
test socket - shorting	2M 4B	B	B	B	B	M	M	M
plug & socket	1M 5B	B	B	B	B	M	B	B
		6B	B	B	B	B	B	B

THE CONTACT CONFIGS SHOWN ARE NOT AVAILABLE FOR ALL AR2-1T- RELAYS. SEE INDIVIDUAL ORDERING SCHEDULES FOR CONTACT OPTION AVAILABILITY.



FRAME REFERENCE: E4FE02.  
FRAME TERMINAL BLOCK ASSY: -

ASSEMBLY INSTRUCTIONS: -  
TYPICAL ASSEMBLY DRAWING 2995G10032.  
AT INDICATED POSITIONS FIT AS FOLLOWS:  
T - FIT TRIP ISOLATION CONTACT 2995B10053  
S - FIT STANDARD CONTACT 2995B10054  
SECURE CONTACTS USING FIXING SCREW 2109F99009.  
POSITIONS SHOWN BLANK ARE UNUSED

2	T	T	1
4	T	T	3
6	T	T	5
8	T	T	7
10	T	T	9
12	T	T	11
14	S	S	13
16	T	T	15
18	T	T	17
20	T	T	19
22	T	T	21
24	T	T	23
26	T	T	25
28	S	S	27

VIEW FROM NUMBERED SIDE OF BLOCK

OUTER TERMINAL BLOCK ASSY: -

ASSEMBLY INSTRUCTIONS: -  
TYPICAL ASSEMBLY DRAWING 2995G10029.  
AT INDICATED POSITIONS FIT AS FOLLOWS:  
S - FIT STANDARD CONTACT 2995B10051  
HC - FIT 'HEAVY CURRENT' KIT 2995G10030  
WHERE IS SHOWN FIT CT SHORTING KIT 2995G10031  
POSITIONS SHOWN BLANK ARE UNUSED.  
ALL POSITIONS FIT SCREW 2106F12506.

2	S	S	1
4	S	S	3
6	S	S	5
8	S	S	7
10	S	S	9
12	S	S	11
14	S	S	13
16	S	S	15
18	S	S	17
20	S	S	19
22	S	S	21
24	S	S	23
26	S	S	25
28	S	S	27

VIEW FROM INSIDE FACE

Title: T.B. AND W.D. FOR AR2-1T- 6 CONTACT RELAYS IN EPSILON E4 CASE.			First used on:		
Similar Articles:			Supersedes:		
Drg.No. <b>2112W50100</b>			Original Scale:		
2 RDW 10/07/12 MN11C/3479 1 29/04/99	<b>Reyrolle Protection Hebburn.</b>		Copyright © 1999 Reyrolle Ltd.		
DRAWN: A.LAW.	CHECKED:	APPROVED: R.D.WATSON	DATE: 17/07/02	REVISIONS:	