

SIEMENS

CATALOG NO. 3F3Y030TE

SERIAL NO.

30 kVA 60 Hz 3 PHASE

3.5 % IMP AT 170 °C

150 °C RISE

30 °C AVG. AMBIENT

220 °C TEMP CLASS

40 °C MAX. AMBIENT

PRIMARY (H1 H2 H3) 480 V

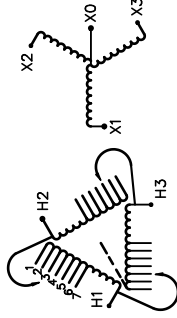
SECONDARY(X0 X1 X2 X3) 208Y/120 V

WINDING MATERIAL AL

ENCLOSURE TYPE 4

WEIGHT 455 LBS

SPACINGS BETWEEN ENCLOSURE AND ANY ADJACENT WALL SHALL BE A MINIMUM OF 3 INCHES



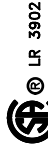
VOLTS	CONNECT
504	1
492	2
480	3
468	4
456	5
444	6
432	7

TYPE KN



DRY TYPE TRANSFORMER
7705 E112313

LISTED



LR 3902

dmu0001e

DO NOT INSTALL IN AREAS ACCESSIBLE TO PUBLIC
NE PAS INSTALLER DANS DES ENDROITS ACCESSIBLES AU PUBLIC
SUITABLE FOR INDOOR OR OUTDOOR LOCATIONS
BEFORE HANDLING, INSTALLING AND OPERATING, SEE INSTRUCTION MANUAL

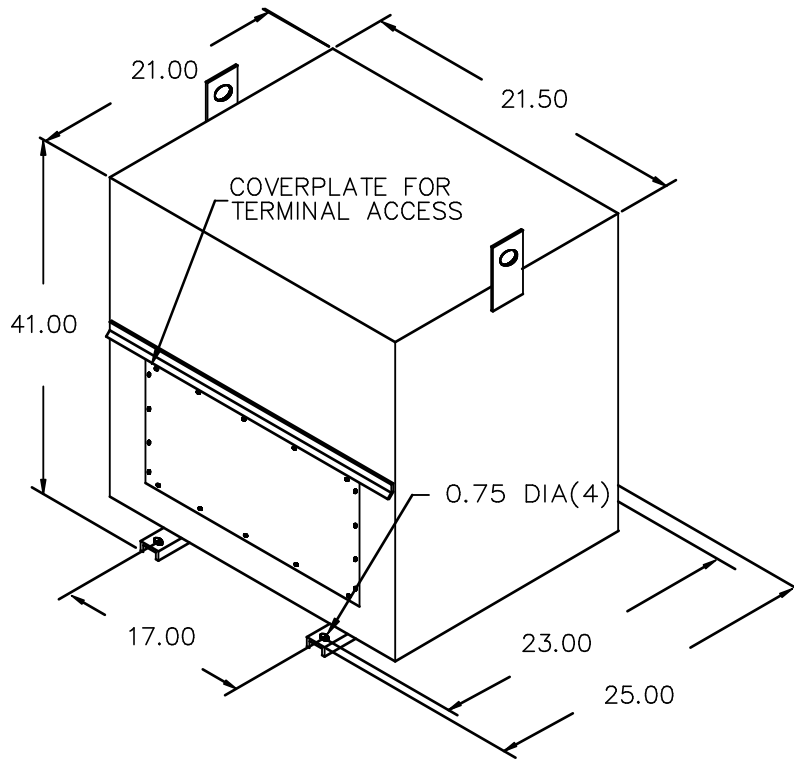
NEMA ClassANC Dry Type Transformer Siemens Industry, Inc. Norcross, GA



Confidential – Property of
Siemens Industry, Inc.
Building Technologies Division

REVISION	DATE	BY	DATE	BY
		DRAWN	94/07/12	GC
		CHEK'D		
1	14/11/12	RM	VERIF'D	

CUSTOMER		
ORDER NO.	DWG. NO.	1
	3F3Y030TE	SH 1 OF 2



All Dimensions in inches

ENCLOSURE COLOR :ANSI 61 GREY – OUTDOOR

H.V.1. TERMINAL DETAIL

L.V.1. TERMINAL DETAIL

MECHANICAL TYPE LUGS INCLUDED
SUITABLE FOR #14-2 CU/AL
CONDUCTORS
1 CONDUCTOR PER PHASE

MECHANICAL TYPE LUGS INCLUDED
SUITABLE FOR 250MCM-6 CU/AL
CONDUCTORS
1 CONDUCTOR PER PHASE

CUSTOMER NOTES:

- HV1 TERMINATED AT TOP FRONT
- LV1 TERMINATED AT BOTTOM FRONT

Confidential – Property of
Siemens Industry, Inc.
Building Technologies Division

REVISION	DATE	BY		DATE	BY	CUSTOMER		
			DRAWN	94/07/12	GC	ORDER NO.	DWG. NO.	1
			CHEK'D				3F3Y030TE	SH 2 OF 2
1	14/11/12	RM	VERIF'D					

1.0 rmovva 2014/11/12 11:57