

# SIEMENS

## Aluminum Terminal



Terminal para cobre y Aluminio

Bornes de repartition ( Aluminium )

|       | U.S. Cat. No. | Euro. Order No. | U.S. Cat. No. | Euro. Order No. |
|-------|---------------|-----------------|---------------|-----------------|
| Item: | 2TA2LG600LD   | 3VL9460-4TY21   | TA1JG750      | 3VL9475-4TD01   |
|       | 3TA2LG600LD   | 3VL9460-4TY31   | 3TA1JG750     | 3VL9475-4TD31   |
|       | 3TC2LG600LD   | 3VL9460-4TY61   | 4TA1JG750     | 3VL9475-4TD41   |
|       | 2TA2LG600LN   | 3VL9460-4TX21   | TC1JG750      | 3VL9475-4TD11   |
|       | 3TA2LG600LN   | 3VL9460-4TX31   | TA2JG250      | 3VL9425-4TF01   |
|       | 3TC2LG600LN   | 3VL9460-4TX61   | 3TA2JG250     | 3VL9425-4TF31   |
|       |               |                 | 4TA2JG250     | 3VL9425-4TF41   |
|       |               |                 | TC2JG250      | 3VL9425-4TF11   |

For Use With Frame JG, LG  
Para Usar Con Caja Base JG, LG

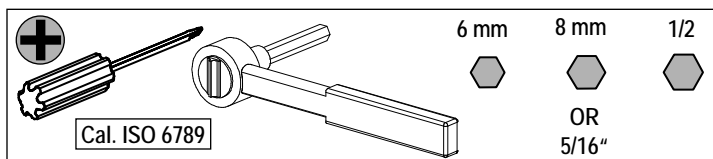
Installation Instructions / Instructivo de Instalación

|  | <b>Danger</b>   | <b>Peligro</b>  | <b>Danger</b>   |
|---|---|---|---|
|   | <b>Hazardous Voltage.</b><br>Will cause death or serious injury.  | <b>Tensión peligrosa.</b><br>Puede causar la muerte o lesiones graves.  | <b>Tension dangereuse.</b><br>Danger de mort ou risque de blessures graves.   |
|  | Turn off and lock out all power supplying this device before working on this device.<br>Replace all covers before power supplying this device is turned on. | Desenergice totalmente antes de instalar o darle servicio.<br>Reemplace todas las barreras y cubiertas antes de energizar el interruptor. | Couper l'alimentation de l'appareil et barrer avant de travailler.<br>Remplacez tous les couverts avant que l'alimentation de l'appareil soit alimenté. |

Use only with Siemens certified Components.

Utilizar únicamente con componentes certificados de Siemens.

A utiliser uniquement avec les composants certifiés Siemens.

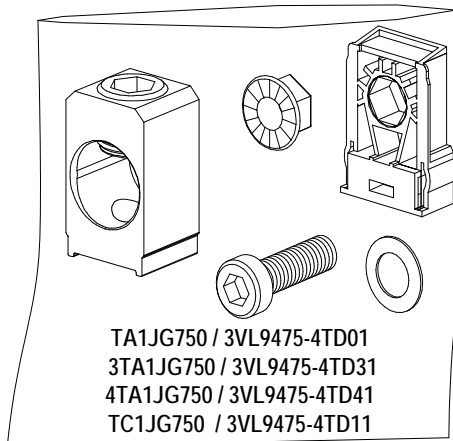
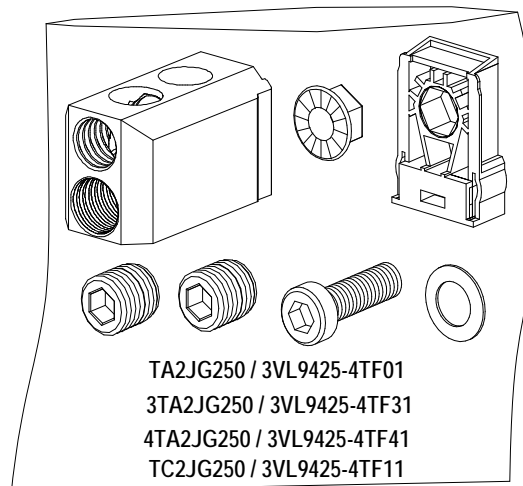


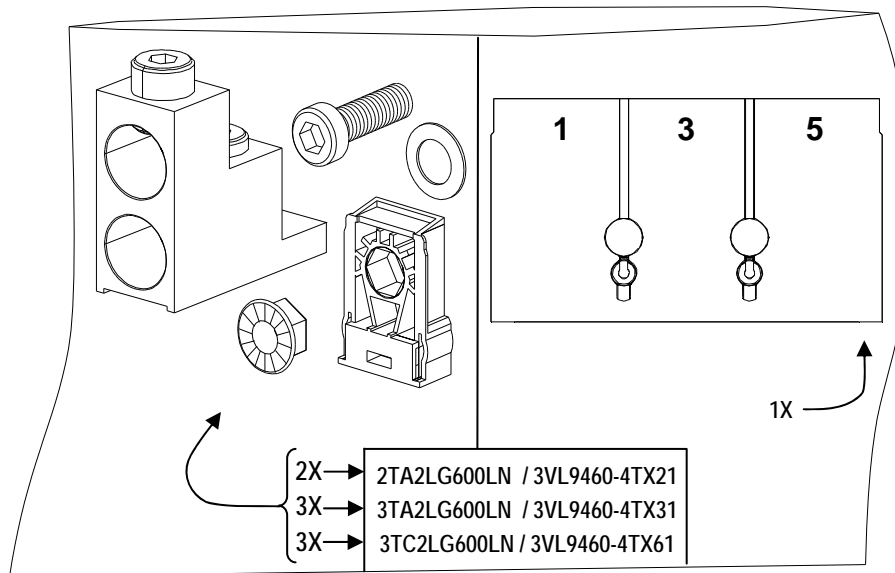
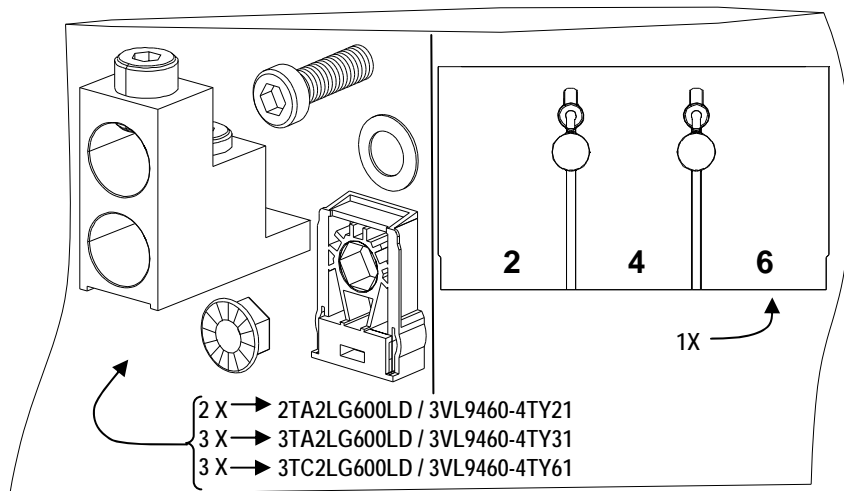
NOTE - These instructions do not purport to cover all details or variations in equipment, or to provide for every possible contingency to be met in connection with installation, operation or maintenance.

Should further information be desired or should particular problems arise, which are not covered sufficiently for the purchaser's purposes, the matter should be referred to the local Siemens sales office. The contents of this instruction manual shall not become part of or modify any prior or existing agreement, commitment or relationship. The sales contract contains the entire obligation of Siemens. The warranty contained in the contract between the parties is the sole warranty of Siemens. Any statements contained herein do not create new warranties or modify the existing warranty.

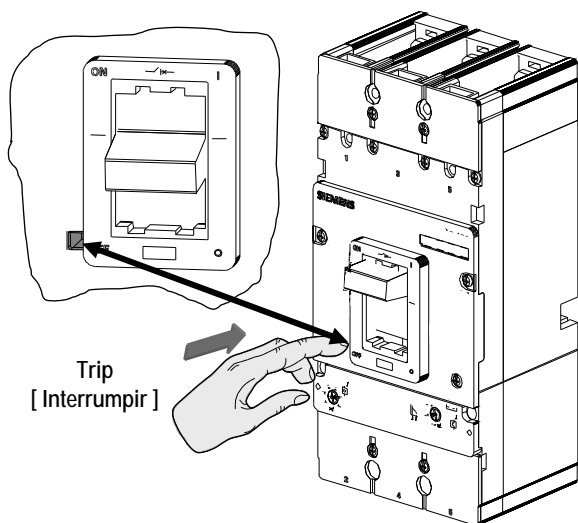
Trademarks - Unless otherwise noted, all names identified by ® are registered trademarks of Siemens AG or Siemens Industry, Inc.

The remaining trademarks in this publication may be trademarks whose use by third parties for their own purposes could violate the rights of the owner.

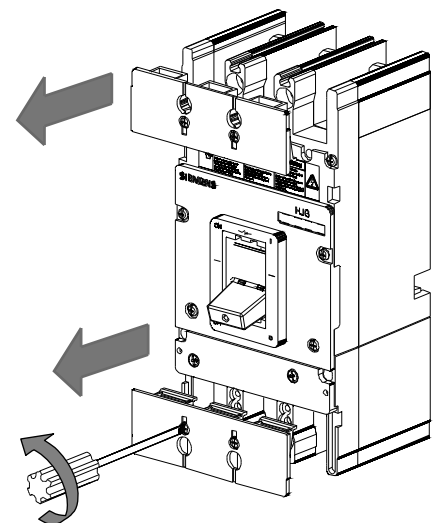




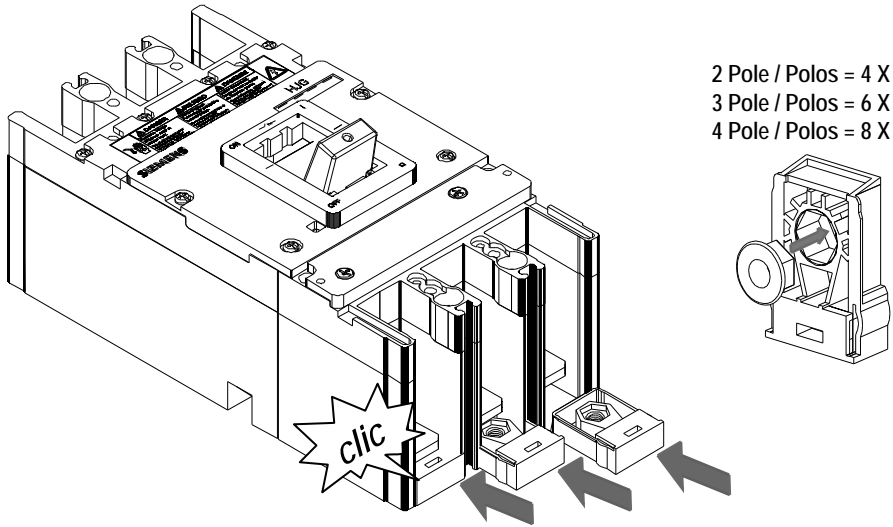
1



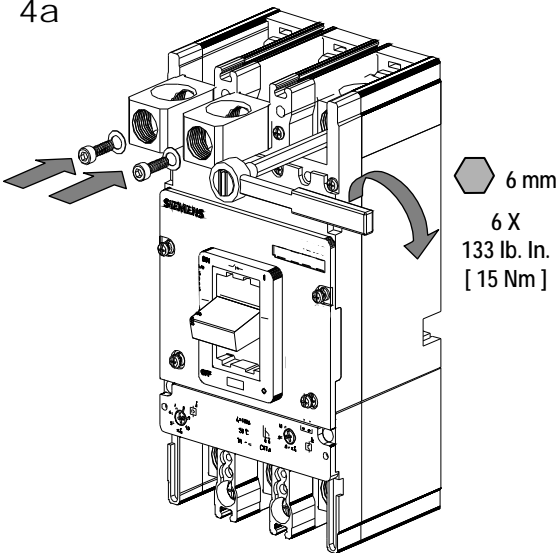
2



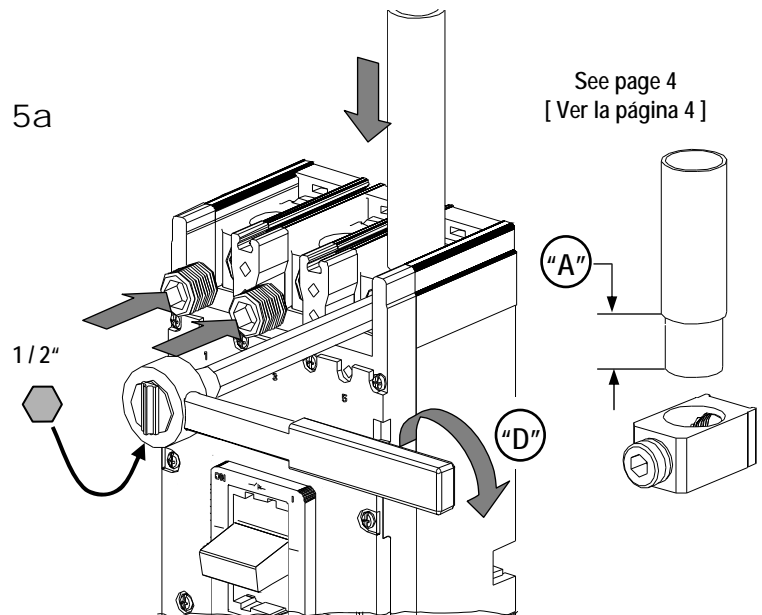
3



TA1JG750 / 3VL9475-4TD01  
3TA1JG750 / 3VL9475-4TD31  
4TA1JG750 / 3VL9475-4TD41  
TC1JG750 / 3VL9475-4TD11  
4a



5a





### ⚠ Danger

Hazardous Voltage.  
Will cause death or serious injury.



Turn off and lock out all power supplying this device before working on this device.  
Replace all covers before power supplying this device is turned on.

### ⚠ Peligro

Tensión peligrosa.  
Puede causar la muerte o lesiones graves.

Desenergice totalmente antes de instalar o darle servicio.  
Reemplace todas las barreras y cubiertas antes de energizar el interruptor.

### ⚠ Danger

Tension dangereuse.  
Danger de mort ou risque de blessures graves.

Couper l'alimentation de l'appareil et barrer avant de travailler.  
Remplacez tous les couverts avant que l'alimentation de pouvoir soit alimenté.

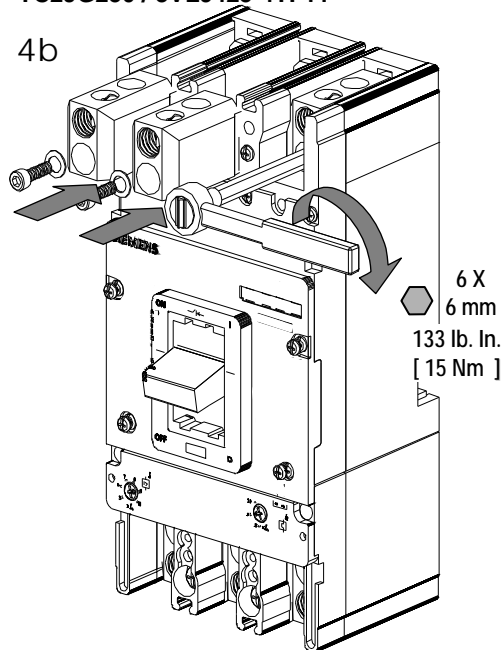
TA2JG250 / 3VL9425-4TF01

3TA2JG250 / 3VL9425-4TF31

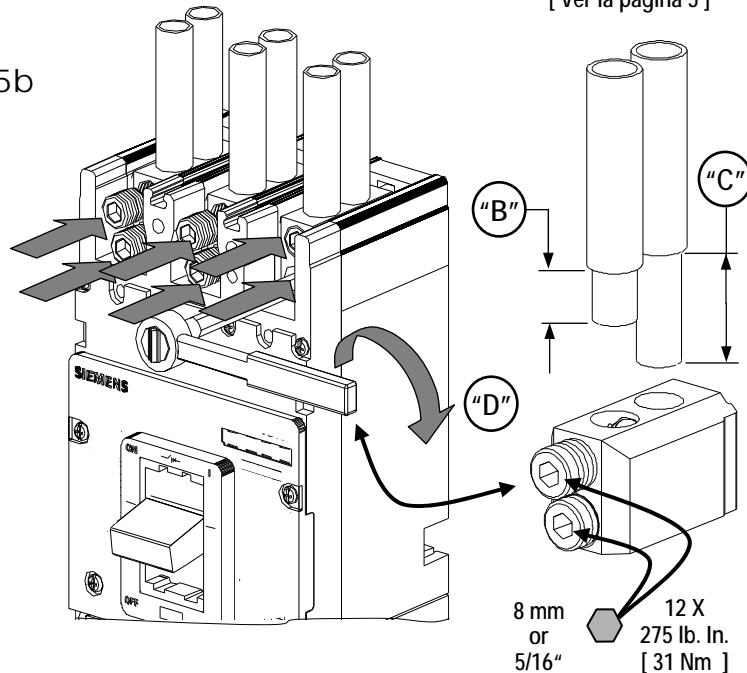
4TA2JG250 / 3VL9425-4TF41

TC2JG250 / 3VL9425-4TF11

4b



5b



2TA2LG600LD / 3VL9460-4TY21

3TA2LG600LD / 3VL9460-4TY31

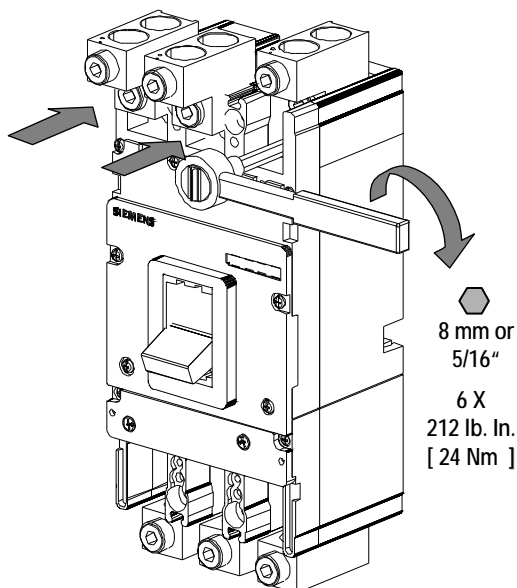
3TC2LG600LD / 3VL9460-4TY61

2TA2LG600LN / 3VL9460-4TX21

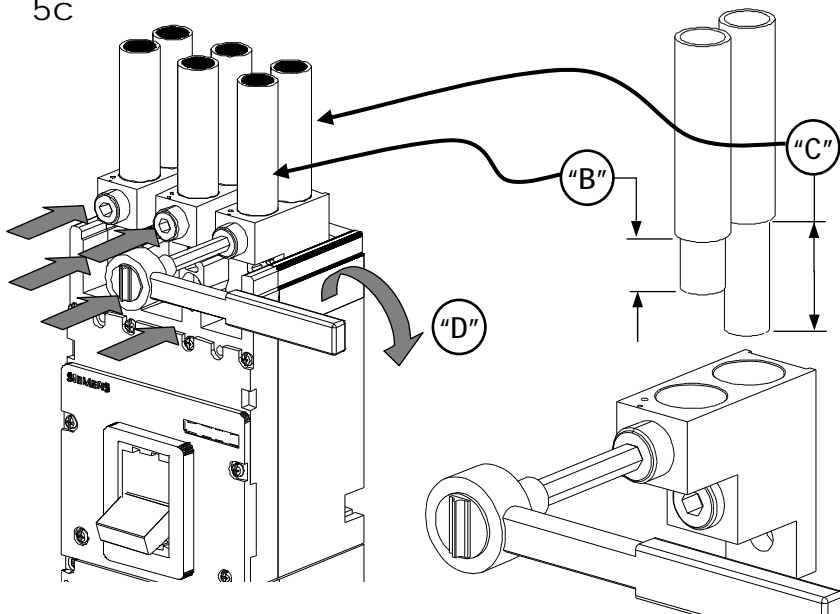
3TA2LG600LN / 3VL9460-4TX31

3TC2LG600LN / 3VL9460-4TX61

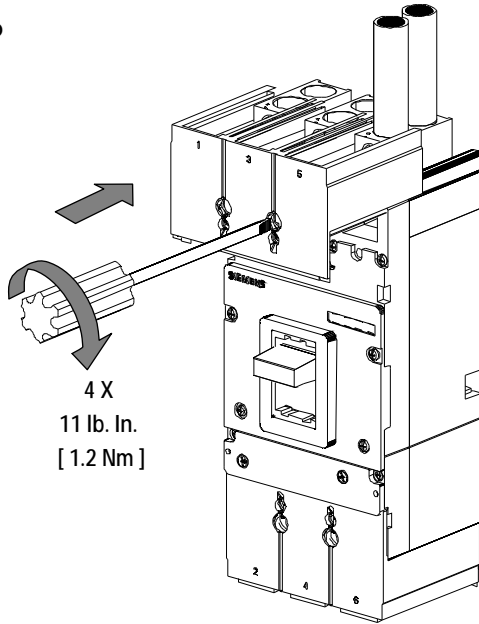
4c



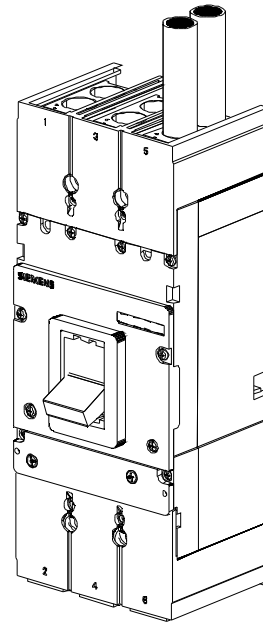
5c

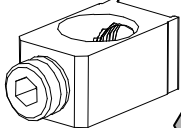



6



7



| Wire Connector<br>[ Conexión del cable ]   | Wire Size<br>[ Rango Cable ]                                | UL 486A - 486B<br>Req. Wire Stranding<br>( Cable ) |               | Torque<br>[ esfuerzo de torsión ]<br>"D" | Wire Strip Length<br>[ Quitar ] |
|--|---|--|---------------|--|---------------------------------|
|  |   | CU / AL<br>Class B                                 | CU<br>Class C |  |                                 |
|  1/2"<br>TA1JG750 / 3VL9475-4TD01<br>3TA1JG750 / 3VL9475-4TD31<br>4TA1JG750 / 3VL9475-4TD41 | Cu<br>3/0 - 4/0 AWG<br>[ 95 mm <sup>2</sup> ]               | 19 STRANDS   | 37 STRANDS    | 275 lb. in.<br>[ 31 Nm ]                 | "A"<br>1.06"<br>[ 27 mm ]       |
|  | Al<br>250 kcmil<br>[ 120mm <sup>2</sup> ]                   | 37 STRANDS   | -             |  |                                 |
|  | Cu<br>250 kcmil<br>[ 120 mm <sup>2</sup> ]                  | 37 STRANDS   | 61 STRANDS    |  |                                 |
|  | Al<br>300 - 500 kcmil<br>[ 185 mm <sup>2</sup> ]            | 37 STRANDS   | -             | 500 lb. in.<br>[ 56 Nm ]                 |                                 |
|  | Cu<br>300 - 500 kcmil<br>[ 185 mm <sup>2</sup> ]            | 37 STRANDS   | 61 STRANDS    |  |                                 |
|  | Al<br>600 - 750 kcmil<br>[ 240 - 300 mm <sup>2</sup> ]      | 61 STRANDS   | -             |  |                                 |
|  | Cu<br>600 kcmil<br>[ 240 - 300 mm <sup>2</sup> ]            | 61 STRANDS   | 91 STRANDS    |  |                                 |
|  1/2"<br>TC1JG750 / 3VL9475-4TD11   | Cu Only<br>3/0 - 4/0 AWG<br>[ 95 mm <sup>2</sup> ]          | 19 STRANDS   | 37 STRANDS    | 275 lb. in.<br>[ 31 Nm ]                 |                                 |
|  | Cu Only<br>250 kcmil<br>[ 120 mm <sup>2</sup> ]             | 37 STRANDS   | 61 STRANDS    | 500 lb. in.<br>[ 56 Nm ]                 |                                 |
|  | Cu Only<br>300 - 500 kcmil<br>[ 150 - 185 mm <sup>2</sup> ] | 37 STRANDS   | 61 STRANDS    |  |                                 |
|  | Cu Only<br>600 kcmil<br>[ 240 - 300 mm <sup>2</sup> ]       | 61 STRANDS   | 91 STRANDS    |  |                                 |



### **⚠ Danger**

**Hazardous Voltage.**  
Will cause death or serious injury.

### **⚠ Peligro**

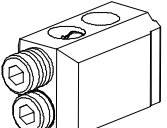
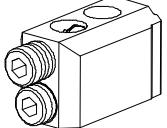
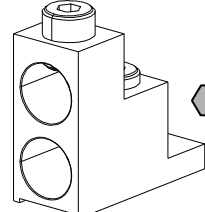
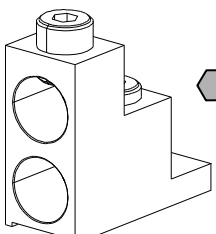
**Tensión peligrosa.**  
Puede causar la muerte o lesiones graves.  
Desenergice totalmente antes de instalar o darle servicio.  
Reemplace todas las barreras y cubiertas antes de energizar el interruptor.

### **⚠ Danger**

**Tension dangereuse.**  
Danger de mort ou risque de blessures graves.  
Couper l'alimentation de l'appareil et barrer avant de travailler.  
Remplacez tous les couverts avant que l'alimentation de pouvoir soit alimenté.



Turn off and lock out all power supplying this device before working on this device.  
Replace all covers before power supplying this device is turned on.

| Wire Connector<br>[ Conexión del cable ]  | Wire Size<br>[ Rango Cable ]                                | UL 486A - 486B<br>Req. Wire Stranding<br>( Cable ) |               | Torque<br>[ esfuerzo de torsión ]<br><br>"D" | Wire Strip Length<br>[ Quitar ] |
|---|---|--|---------------|--|---------------------------------|
|   |   | CU / AL<br>Class B                                 | CU<br>Class C |  |                                 |
| <br>8 mm<br>OR<br>5/16"<br>TA2JG250 / 3VL9425-4TF01<br>3TA2JG250 / 3VL9425-4TF31<br>4TA2JG250 / 3VL9425-4TF41  | Cu / Al<br>3/0 - 4/0 AWG<br>[ 95 mm <sup>2</sup> ]          | 19 STRANDS   | 37 STRANDS    | 275 lb. in.<br>[ 31 Nm ]                     | "B"<br>.71"<br>[ 18 mm ]        |
|   | Cu / Al<br>250 kcmil<br>[ 120 mm <sup>2</sup> ]             | 37 STRANDS   | 61 STRANDS    |  |                                 |
| <br>8 mm<br>OR<br>5/16"<br>TC2JG250 / 3VL9425-4TF11  | Cu Only<br>3/0 - 4/0 AWG<br>[ 95 mm <sup>2</sup> ]          | 19 STRANDS   | 37 STRANDS    |  | "C"<br>1.46"<br>[ 37 mm ]       |
|   | Cu Only<br>250 kcmil<br>[ 120 mm <sup>2</sup> ]             | 37 STRANDS   | 61 STRANDS    |  |                                 |
| <br>8 mm<br>or<br>5/16"<br>2TA2LG600LD / 3VL9460-4TY21<br>3TA2LG600LD / 3VL9460-4TY31<br>2TA2LG600LN / 3VL9460-4TX21<br>3TA2LG600LN / 3VL9460-4TX31 | Cu / Al<br>2 AWG<br>[ 35 mm <sup>2</sup> ]                  | 7 STRANDS  | 19 STRANDS    | 375 lb. in.<br>[ 42.4Nm ]                    | "B"<br>1.0"<br>[ 25.4 mm ]      |
|   | Cu / Al<br>1 - 4/0 AWG<br>[ 50 - 95 mm <sup>2</sup> ]       | 19 STRANDS   | 37 STRANDS    |  |                                 |
|   | Cu / Al<br>250 - 500 kcmil<br>[ 120 - 185 mm <sup>2</sup> ] | 37 STRANDS   | 61 STRANDS    |  |                                 |
|   | Cu / Al<br>600 kcmil<br>[ 240 - 300 mm <sup>2</sup> ]       | 61 STRANDS   | 91 STRANDS    |  |                                 |
| <br>8 mm<br>or<br>5/16"<br>3TC2LG600LD / 3VL9460-4TY61<br>3TC2LG600LN / 3VL9460-4TX61  | Cu Only<br>2 AWG<br>[ 35 mm <sup>2</sup> ]                  | 7 STRANDS  | 19 STRANDS    | "C"<br>1.97"<br>[ 50 mm ]                    |                                 |
|   | Cu Only<br>1 - 4/0 AWG<br>[ 50 - 95 mm <sup>2</sup> ]       | 19 STRANDS   | 37 STRANDS    |  |                                 |
|   | Cu Only<br>250 - 500 kcmil<br>[ 120 - 185 mm <sup>2</sup> ] | 37 STRANDS   | 61 STRANDS    |  |                                 |
|   | Cu Only<br>600 kcmil<br>[ 240 - 300 mm <sup>2</sup> ]       | 61 STRANDS   | 91 STRANDS    |  |                                 |

### For Support in Europe refer to :

Bestell-Nr. / Order No.: 3ZX1012-0VL68-5AA4

Internet: [www.siemens.de/lowvoltage/technical-assistance](http://www.siemens.de/lowvoltage/technical-assistance)

GWA 4NEB 179 6874-10 DS 05

Technical Support:

Toll Free: 1-800-241-4453

Internet: [www.usa.siemens.com/powerdistribution](http://www.usa.siemens.com/powerdistribution)

Subject to change without prior notice  
Siemens Industry, Inc., Norcross, GA 30092 U.S.A.