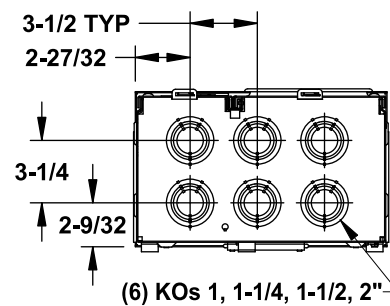
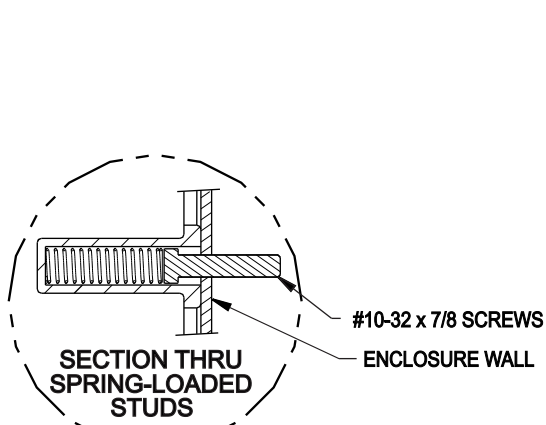
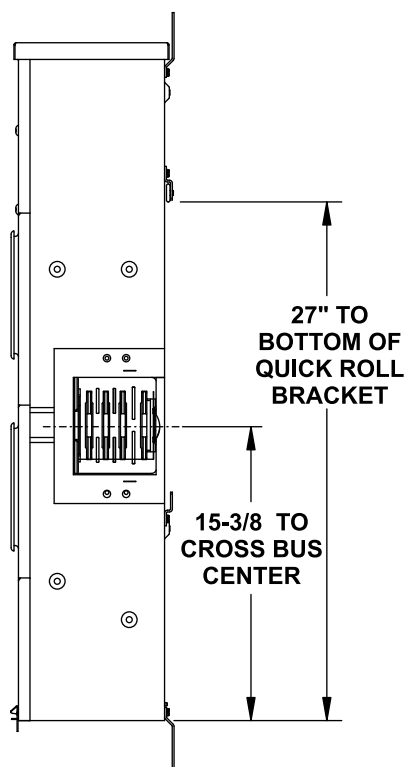
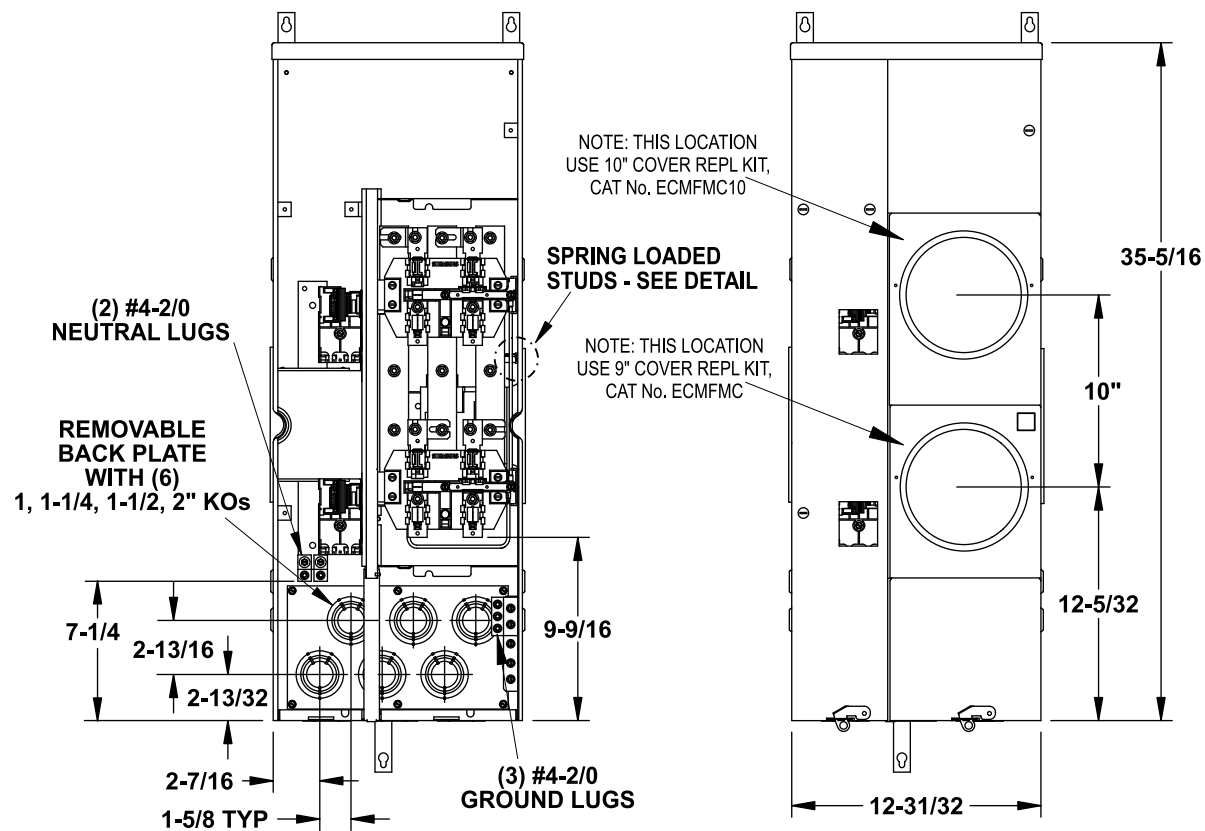


**VIEW SHOWN WITHOUT COVERS**



**Catalog Numbers, Features and Ratings**

- MAIN BUS RATING: 1200 AMPS, 240V AC MAX.
- METER SOCKET RATING: 125 AMPS CONTINUOUS
- 65,000 AIC RATING MAX., 125 AMPS MAX. BRANCH RATING
- 3 PHASE INPUT / 1 PHASE OUTPUT
- TYPE 1 INDOOR ENCLOSURE
- MOUNTING RAILS AND ADJUSTABLE BRACKETS FOR SECURE MOUNTING
- 10" METER SOCKET SPACING FOR CONSOLIDATED EDISON

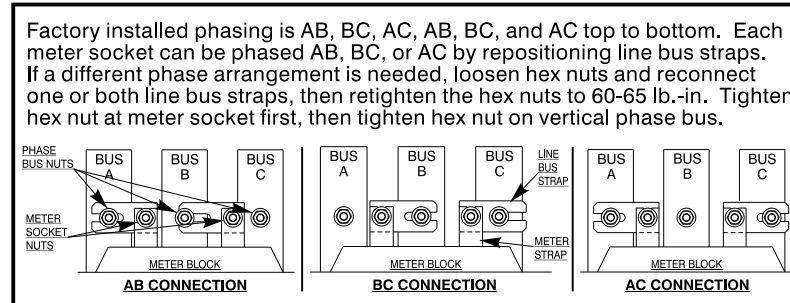
Catalog No.	Main Bus	Branch Rating	Meter Positions	Cover Type	5th Jaw, Position
MN22125J	3 Phase	125A Max.	2	Ring	Installed, 9:00

**Additional Modules**

FOR USE WITH:	
Module Description	Siemens Series#
Main Breakers	WB, WEB, WXB
Switches	WS, WES
Tap/Terminal Boxes	WTB, WET, WT_PU
Meter Module	(W)MM, (W)ML
Meter Combinations	WC, WCL
Extension Box	WSP, WSPD
Bussed Elbow	BE

Connect Modules Using:	Catalog Number / Torque
QuickConnect	QC4, Torque 400-440 lb-in (35-36 ft.-lb.)

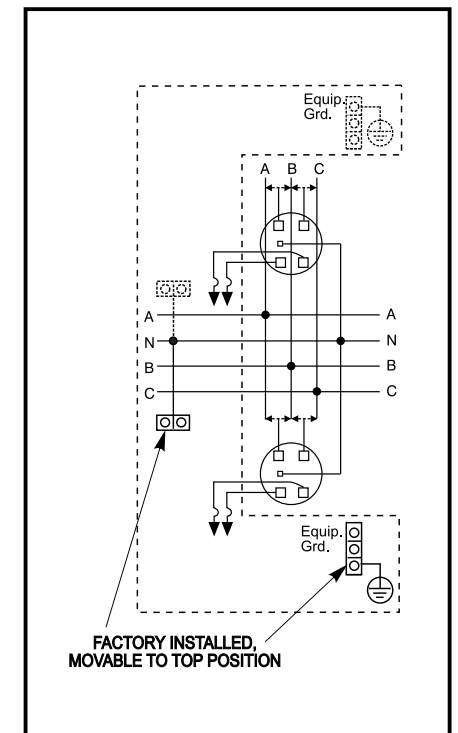
**Rephasing Instructions**



**Accessories**

Description	Catalog No.
Horn By-Pass Mod	ECMFH
End Closure Plate	WMEP
5th Jaw Mod	ECMF5
Meter Cover Plate	ECCP3
Meter Socket	ECMFS
125A Breaker Mounting	ECMFBM1
Meter Cover, Ring Type 9"	ECMFCM
Meter Cover, Ring Type 10"	ECMFCM10
Parts Kit	ECMFCPK
Load Cover Screws	ECMFCS
Bottom Pull Cover	ECMFC
Mounting Rail	MMRAIL
Mounting Clip	MMCLIP
Quick Phase Strap	ECMFPS
Breaker Cover Repl.	ECBC
Mounting Tabs (2)	ECMFTAB
Ground/Ntl Bar Kit	ECMFGN125
Back Rail/Clip	ECMFWLCLIP
Wall Mounting Rail (60")	MMZR60
QP Breaker Retainer	ECMBR2
KO Plate with Knockouts	ECMMKOP
KO Plate w/o Knockouts	ECMMNKOP

**Schematic**



© 2013 Copyright Siemens Industry, Inc.

**SIEMENS**  
Siemens Industry, Inc.

**PowerMod™ Meter Stack**

Catalog Numbers: **3in-1out Residential Socket, Indoor, 2 Pos, 125A, 5th Jaw, Ring Type w/10" Centers**

Size B Dwg. No. **MN22125J**

Dwn KAM Date 4/22/13 DO NOT SCALE DRAWING SHEET 1 OF 1