




SIEMENS

Siemens Energy & Automation, Inc. 
Bellefontaine, Ohio 43311 U.S.A.
© Siemens Energy & Automation, Inc. 2000

Item: MSE6-100 Breaker Mounting
Screws
For Use with: E & ED Frame Circuit
Breakers & Molded Case Switches
(See Types Below)
Pc. No. 62843A01

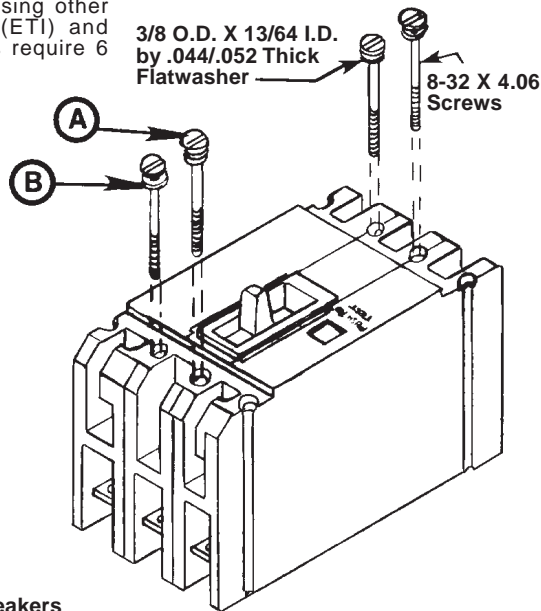
Installation Instructions

	 DANGER
	Hazardous Voltage. Will cause death or serious injury. Turn power off supplying device before installing kit.

SAFETY INSTRUCTIONS

Breaker Types:
E2(-A), (H)E4(-A), (H)E6(-A)(ETI), CLE(-A)(ETI), ED2(Y), (H)ED4, (H)ED6(ETI),
CED6(ETI)

1. Turn power off supplying device before installing kit.
2. Assemble screws **A** & washers **B** through breaker as shown. Circuit Breakers without the add-on interrupter (ie. not types CLE(-A)(ETI) and CED6(ETI)) require only 2 screws in an I-T-E E frame enclosure and 4 screws when using other mounting. Type CLD(-A)(ETI) and CED6(ETI) circuit breakers require 6 screws.



E, ED, Frame Circuit Breakers