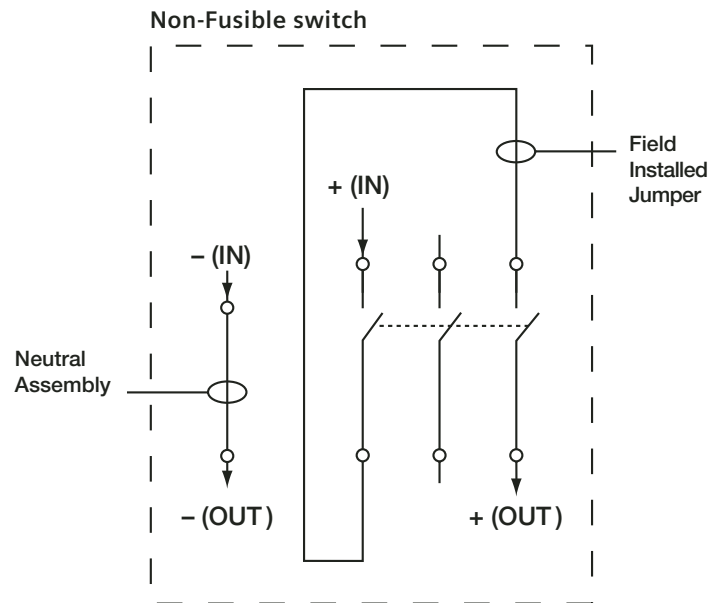
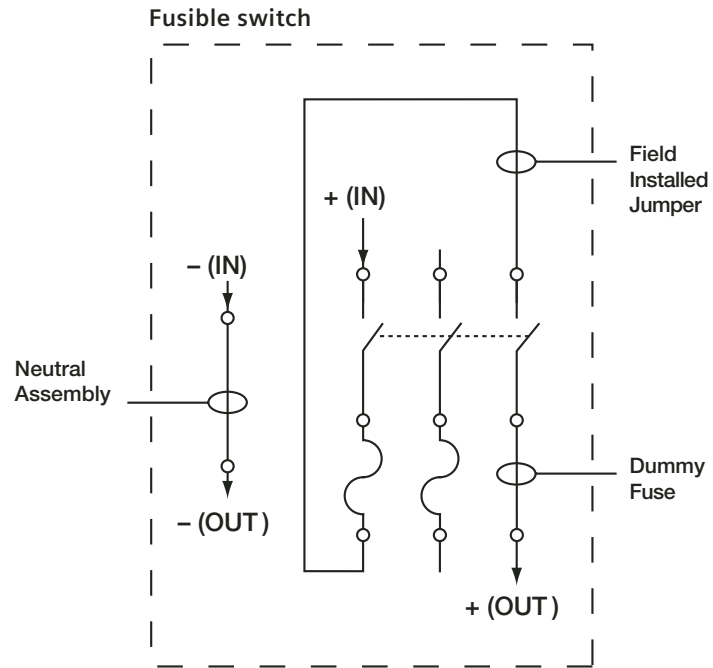




200A safety switch wiring diagrams

For the 600V DC Photovoltaic applications



Photovoltaic disconnect switches

Answers for industry.

SIEMENS

Siemens Industry, Inc.
Building Technologies Division
5400 Triangle Parkway
Norcross, GA 30092
1-800-964-4114

info.us@siemens.com

www.usa.siemens.com/switches

Subject to change without prior notice.
All rights reserved.
Printed in USA
©2010 Siemens Industry, Inc.

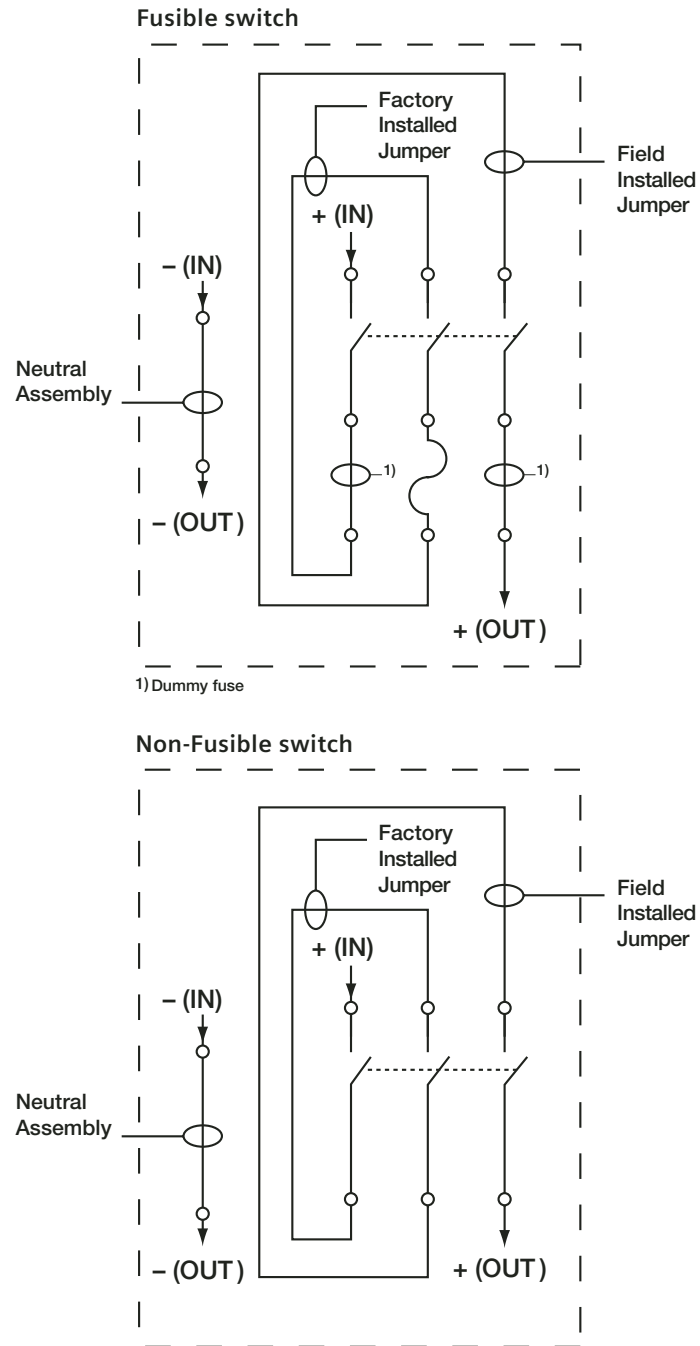
The information provided in this brochure contains merely general descriptions or characteristics of performance which in case of actual use do not always apply as described or which may change as a result of further development of the products. An obligation to provide the respective characteristics shall only exist if expressly agreed in the terms of contract.

All product designations may be trademarks or product names of Siemens AG or supplier companies whose use by third parties for their own purposes could violate the rights of the owners.



400 and 600A safety switch wiring diagrams

For the 600V DC Photovoltaic applications



Photovoltaic disconnect switches

Answers for industry.

SIEMENS

Siemens Industry, Inc.
Building Technologies Division
5400 Triangle Parkway
Norcross, GA 30092
1-800-964-4114

info.us@siemens.com

www.usa.siemens.com/switches

Subject to change without prior notice.
All rights reserved.
Printed in USA
©2010 Siemens Industry, Inc.

The information provided in this brochure contains merely general descriptions or characteristics of performance which in case of actual use do not always apply as described or which may change as a result of further development of the products. An obligation to provide the respective characteristics shall only exist if expressly agreed in the terms of contract.

All product designations may be trademarks or product names of Siemens AG or supplier companies whose use by third parties for their own purposes could violate the rights of the owners.