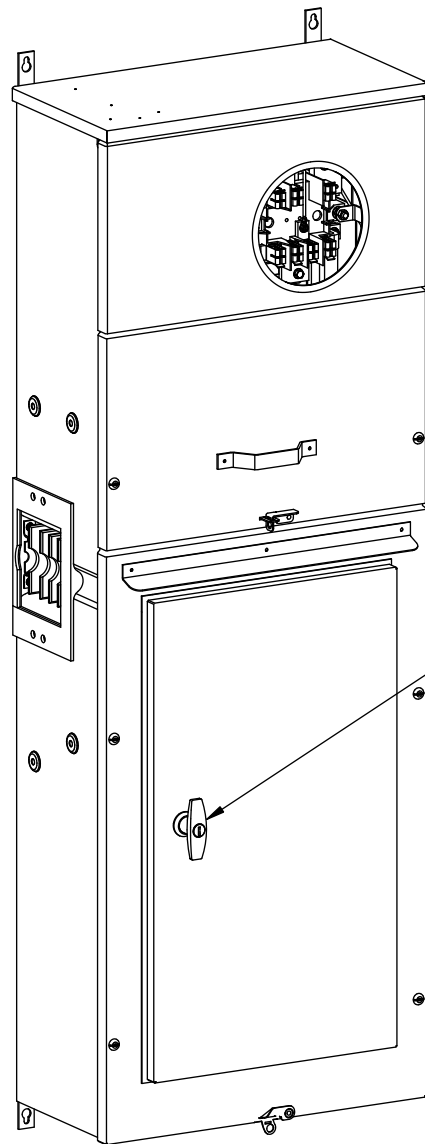


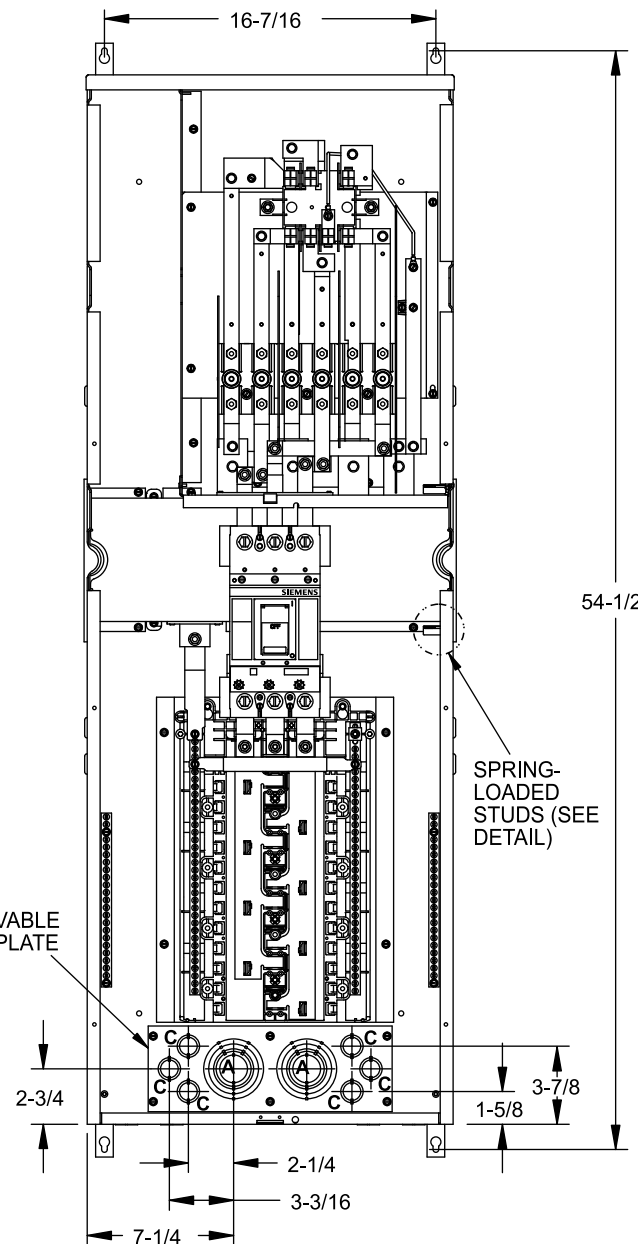
# Catalog Numbers, Ratings and Features

Catalog No.	Meter Socket Cover	Main Bus, 1200A Max	Main Breaker		Max. 1" Breaker Positions	Max. Circuits	Jaws	Bypass Type
			Amps Max.	Catalog Number				
WCT2442B3T1J	RING TYPE	3 Phase	225	HFD63B225	24	42	7	Test Block

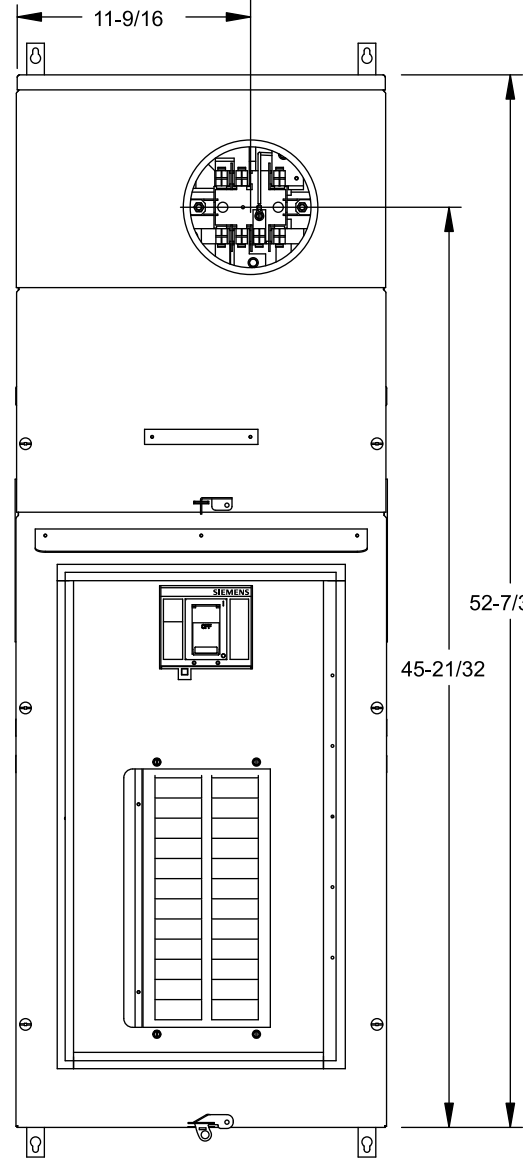
- Type 3R Outdoor Enclosure
- Main Bus Rating: 1200A Max.
- Meter Socket Rating: 200A Continuous
- 3 Phase Input, 3 Phase Output
- 208Y/120 Volts AC, 3 Phase, 4 Wire
- 240/120 Volts AC, 3 Phase, 4 Wire Delta
- 100K AIC Max. Short Circuit Current Rating (See Wiring Diagram for Details)



View Shown with Covers Removed



View Shown with Door Removed



## Circuit Breakers

Use Siemens Branch Breaker Types: QP, QPH, HQP, QT, QAF, QAFH, QAF2, QAF2H, HQAF2, QPF, QPFH, QE, QEH, QNR, QNRH, HQNR

## Additional Modules

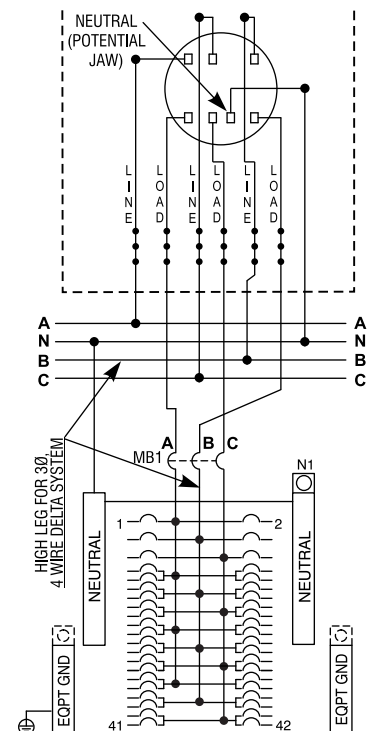
Connect Modules Using:  
QuickConnect Catalog No: QC4  
Torque: 400-440 lb-in (35-36 ft.-lb.)  
Single Bolt Joint Catalog No: SBJ4  
Torque: 400-480 lb-in (35-40 ft.-lb.)

Use with Module . . . . . Siemens Series#  
Main Breakers . . . . . (W)MC, WB, WEB, WXB  
Switches . . . . . WMP, WMS, WS, WES  
Tap/Terminal Boxes . . . . . WMTB, WTB, WET, WT\_PU  
Pull Boxes . . . . . WMMB  
Meter Module . . . . . (W)MM, WxMM, (W)MT, (W)ML, (W)MK  
Meter Combinations . . . . . WC, WCL, WCT  
Extension Box . . . . . WMEX, WSP, WSPD  
Bussed Elbow . . . . . BE

## Accessories

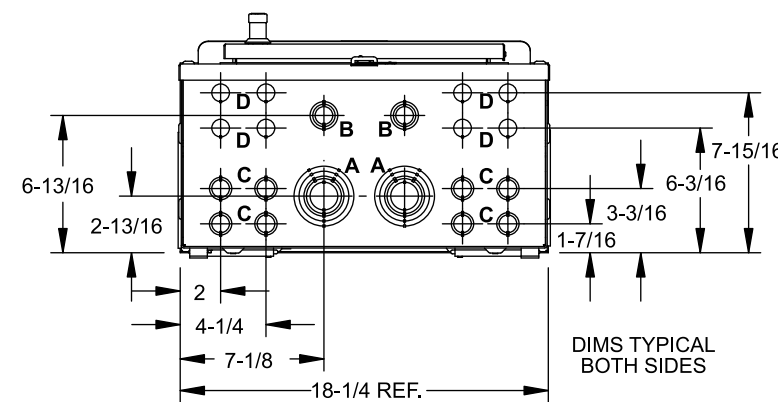
Accessories	Cat. No.
1" Filler Plate	ECQF3
SubFeed Lug Kit	ECLK2125
SubFeed Lug Kit	ECLK2225
Neutral Lug Kit	ECLK1-2
Neutral Lug Kit	ECLK2
End Closure Plate	WMPE
Meter Cover Plate	ECCP3
Mounting Tabs (2)	ECMFATB
Back Rail/Clip	ECMFVLCCLIP
Mounting Rail	MMRAIL
Wall Mounting Rail (60")	MMZR60
Arc Flash Label	ECAFL

## Schematic

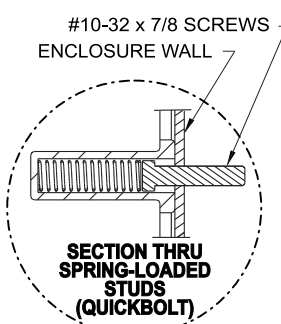


Terminal	Wire Size	Torque
N1	2/0 - #4 AWG	110 lb-in
Branch Breaker Terminals	See Markings on Breaker	
N1/Equip	#10 - #14 CU	20 lb-in
GND	#10 - #12 AL	20 lb-in
	#8	25 lb-in
	#6 - #4	35 lb-in
Ground Conductors Only	(2) or (3) #14 AWG	20 lb-in
	(2) #12-#10 AWG	20 lb-in
<b>Ground Bar/Neutral Lug Kits</b>		
ECLK1-2	2/0 - #2 AWG	45 lb-in
ECLK2	2/0 - #4 AWG	135 lb-in

WCT2442B3T1J Shown



Knockout Chart		
Designation	KO Size	Qty
A	2-1/2, 2, 1-1/2, 1-1/4, 1"	4
B	1, 3/4, 1/2"	2
C	3/4, 1/2"	14
D	1/2"	8



© 2013 Copyright Siemens Industry, Inc.

**SIEMENS**  
Siemens Industry, Inc.

**PowerMod™ Modular Metering**

Catalog Numbers: **3in-3out, Test Block Bypass, with 24 Position 42 Circuit Panel**

Size B Dwg. No. **TBB\_3-3\_NB**