

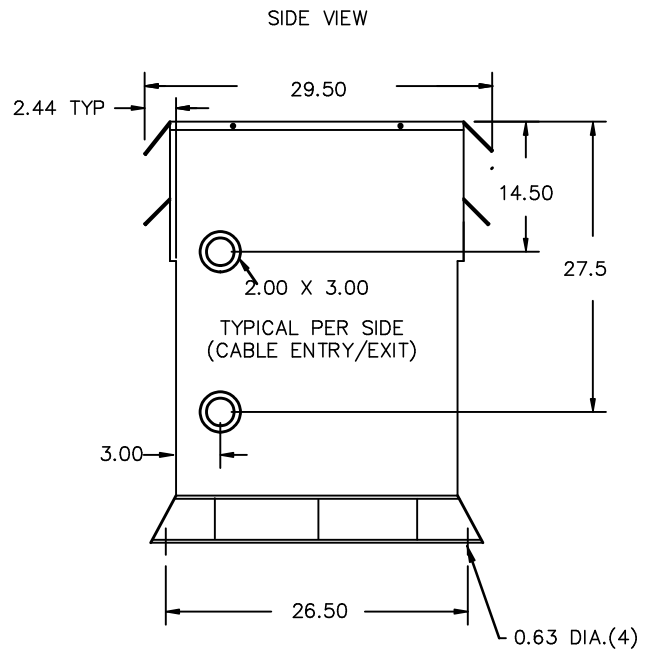
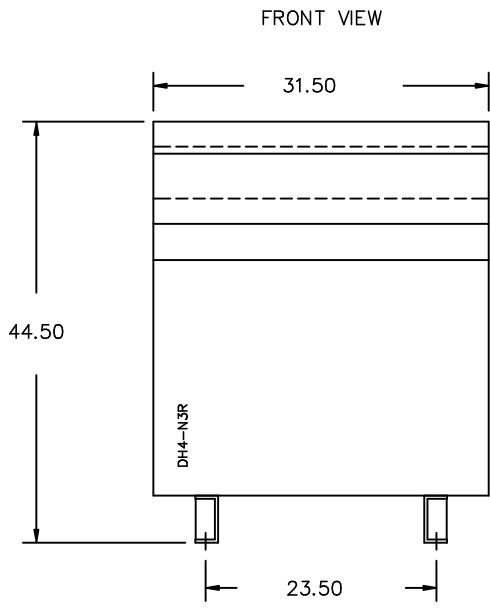
REVISION	DATE	BY	DATE	BY
		DRAWN	19/02/07	RM
		CHEK'D		
		VERIF'D		

CUSTOMER		Siemens Industry, Inc.	
ORDER NO.	DWG. NO.		
	3B5S225FCD16	SH 1 OF 3	

SIEMENS

<p>CATALOG NO. 3B5S225FCD16</p> <p>SERIAL NO.</p> <p>225 kVA 60 Hz 3 PHASE</p> <p>4 % IMP AT 135 °C</p>	<p>SERIES H</p> <p>3 PHASE</p>	
<p>115 °C RISE 30 °C AVG. AMBIENT</p> <p>220 °C TEMP CLASS 40 °C MAX. AMBIENT</p> <p>PRIMARY (X1 X2 X3) 208 V 10 kV BIL</p> <p>SECONDARY(H0 H1 H2 H3) 480Y/277 V 10 kV BIL</p>		
<p>WINDING MATERIAL CU</p> <p>ENCLOSURE TYPE 3R WEIGHT 1550 LBS</p> <p>ENERGY EFFICIENCY C802.2-2012 DOE 10 CFR PART 431:2016</p>		
<p>SPACINGS BETWEEN ANY VENTILATED ENCLOSURE PANEL AND ANY ADJACENT WALL SHALL BE A MINIMUM OF 5 INCHES EXCEPT WHEN WALL MOUNTED USING APPROVED WALL MOUNTING KIT * MAX TURN RATIO ERROR 0.9% AT NOMINAL TAP TRANSFORMER SUITABLE FOR STEP UP OPERATION ONLY</p>		
<p>SUITABLE FOR INDOOR OR OUTDOOR LOCATIONS BEFORE HANDLING, INSTALLING AND OPERATING, SEE INSTRUCTION MANUAL</p> <p>NEMA Class ANN Dry Type Transformer Siemens Industry, Inc. Norcross, GA dsu0086e1</p>		





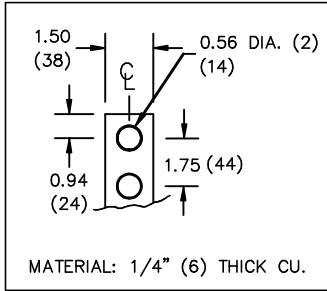
All Dimensions in inches

ENCLOSURE COLOR :ANSI 61 GREY – OUTDOOR

HV TERMINAL DETAIL

LV TERMINAL DETAIL

MECHANICAL TYPE LUGS INCLUDED
SUITABLE FOR 600MCM-2 CU/AL
CONDUCTORS
1 CONDUCTOR PER PHASE



CUSTOMER NOTES:

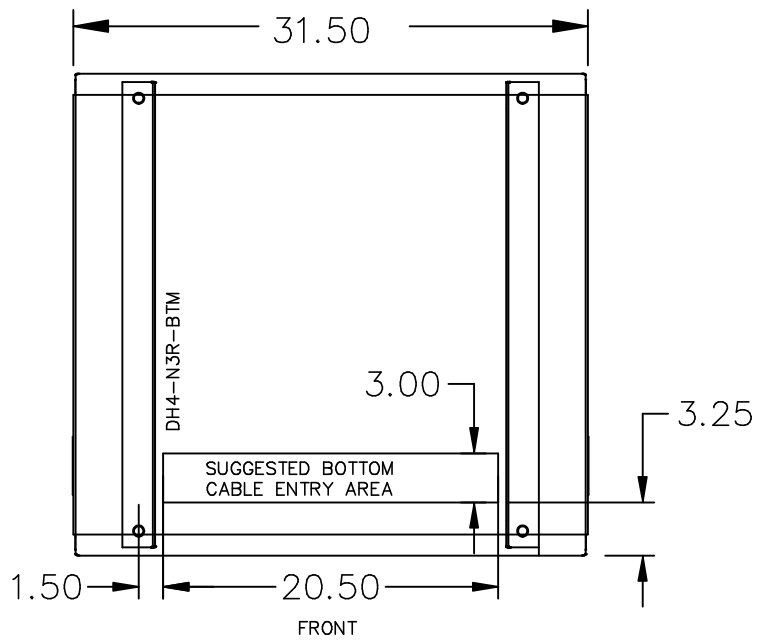
- HV TERMINATED AT BOTTOM FRONT
- LV TERMINATED AT TOP FRONT

Siemens Industry, Inc.

REVISION	DATE	BY	DATE	BY
		DRAWN	19/02/07	RM
		CHEK'D		
		VERIF'D		

CUSTOMER	
ORDER NO.	DWG. NO. 3B5S225FCD16
SH 2 OF 3	

ENCLOSURE BOTTOM VIEW



NOTE:
 WHEN BOTTOM CABLE ENTRY IS OPTED, THE SPACE USED FOR CONDUITS IN THE FRONT OF THE TRANSFORMER SHOULD NOT OBSTRUCT MORE THAN 50% OF THE FRONT AIR INTAKE AREA DEFINED BETWEEN THE BOTTOM PLATE AND THE SUPPORTING LEGS.
 SEE MANUAL FOR ADDITIONAL INFORMATION

Siemens Industry, Inc.

REVISION	DATE	BY	DATE	BY	CUSTOMER
			19/02/07	RM	ORDER NO. DWG. NO. 3B5S225FCD16 SH 3 OF 3