

# TALON

## Rainproof Combination Metering

Catalog Number  
**MC1224B1100CEY**

Enclosure  
**Type 3R**

### WARNING: CIRCUIT MAY BE LIVE WITH METER REMOVED.

DEVICE RATING: 100 AMPS MAXIMUM  
120/240 V~, 1 PHASE, 3 WIRE  
208Y/120 V~, 1 PHASE, 3 WIRE, WHEN 5th JAW IS INSTALLED.  
(DERIVED FROM 3 PHASE - 4 WIRE SYSTEM)

METER SOCKET RATING: 100 AMPS CONTINUOUS.

FOR INSTALLATION BY A QUALIFIED PERSON IN ACCORDANCE WITH ALL LOCAL ELECTRICAL CODES AND/OR THE NATIONAL ELECTRICAL CODE.®

### SUITABLE ONLY FOR USE AS SERVICE EQUIPMENT.

FOR OVERHEAD AND UNDERGROUND SERVICE.

THIS DEVICE HAS A MAXIMUM SHORT CIRCUIT CURRENT RATING OF 42,000 AMPS RMS SYMMETRICAL AT 240 V~ MAXIMUM. (WATT-HOUR METER NOT INCLUDED IN SHORT CIRCUIT CURRENT RATING). THE ACTUAL RATING IS DEPENDENT ON THE BREAKERS INSTALLED IN THIS PANELBOARD. THE CORRECT BRANCH BREAKER AND MAIN BREAKER SERIES COMBINATIONS TO BE USED ARE LISTED IN THE TABULATION BELOW. ANY CIRCUIT BREAKER INSTALLED OR REPLACED IN THIS PANELBOARD MUST BE MANUFACTURED BY SIEMENS AND MUST BE OF THE CORRECT TYPE AS INDICATED IN THE TABULATION BELOW.

MAX SHORT CIRCUIT CURRENT RATING IN RMS SYMMETRICAL AMPERES	WHEN THE INSTALLED MAIN BREAKER TYPE IS:	AND THE FIELD INSTALLED BRANCH CIRCUIT BREAKER TYPES ARE:
42,000	Murray Type MP-MT	Murray MP-T, MP-HT, MP-MT, MH-T, MP-GT, MP-HGT, MP-ET, MP-HET, MP-AT, MP-HAT
	Siemens Type HQP	Siemens QP, QPH, HQP, QT, QPF, QPHF, QE, QEH, QAF, QAFH
22,000	Murray Type MP-HT	Murray MP-T, MP-HT, MP-MT, MH-T, MP-GT, MP-HGT, MP-ET, MP-HET, MP-AT, MP-HAT
	Siemens Type QPH	Siemens QP, QPH, HQP, QT, QPF, QPHF, QE, QEH, QAF, QAFH
10,000	Murray Type MP-T	Murray MP-T, MP-HT, MP-MT, MH-T, MP-GT, MP-HGT, MP-ET, MP-HET, MP-AT, MP-HAT or Talon LQ
	Siemens Type QP	Siemens QP, QPH, HQP, QT, QPF, QPHF, QE, QEH, QAF, QAFH or Talon LQ

FOR BREAKERS WITH TRIPPED POSITION IN CENTER, RESET BREAKER BY MOVING HANDLE TO "OFF" AND THEN TO "ON".

**WARNING:** THIS EQUIPMENT HAS BEEN DESIGNED FOR USE ONLY WITH CIRCUIT BREAKERS LISTED ABOVE. USE OF OTHER CIRCUIT BREAKERS IN THIS EQUIPMENT COULD RESULT IN PERSONAL INJURY OR PROPERTY DAMAGE AND WILL VOID THE WARRANTY.

**IMPORTANT:** DO NOT ALLOW PETROLEUM BASED (HYDROCARBON) SPRAYS, CHEMICALS, SOLVENTS OR ANY PAINT TO CONTACT INTERIOR COMPONENTS. PETROLEUM BASED CHEMICALS CAN CAUSE DEGRADATION OF ELECTRICAL INSULATING MATERIALS.

Siemens Industry, Inc. Norcross, Georgia U.S.A. **D** 40900575 0101 Rev.A

® The National Electrical Code is a registered trademark of the National Fire Protection Association.  
© 2012 Copyright Siemens Industry, Inc.

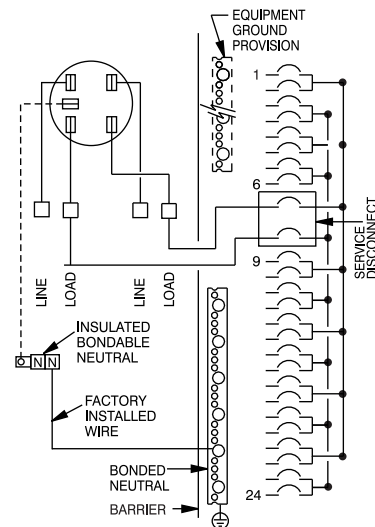
# TALON

## Rainproof Combination Metering

TERMINALS SUITABLE FOR USE WITH 60/75°C, **AL/CU** INSULATED WIRE.

SIZE WIRE ONLY TO 60°C OR 75°C AMPACITY LIMITS AND IN ACCORDANCE WITH BREAKER MARKINGS AND WIRE BENDING SPACE REQUIREMENTS.

TERMINAL	WIRE SIZE	TORQUE
N	#2/0-6 AWG	110 lb-in
	#1/0-3 AWG	50 lb-in
	#4-#6 AWG	45 lb-in
	#8 AWG	40 lb-in
	#10-#14 AWG	35 lb-in
<b>NEUTRAL and EQPT GROUND BARS</b>		
SMALL TERMINALS	#6 AWG	35 lb-in
	#8 AWG	25 lb-in
	#10-#14 AWG *(2) #12-14 CU *(2) #12 AL	20 lb-in
LARGE TERMINALS	#1-#6 AWG	45 lb-in
	#8 AWG	40 lb-in
	#10-#14 AWG *(2 or 3) #10-14 CU *(2 or 3) #10-12 AL	35 lb-in
Test Block Contact Nut (5/8" across flats)		50 lb-in
See breaker markings for wire size and torque requirements		



UNUSED NEUTRAL BAR TERMINALS MAY BE USED AS EQUIPMENT GROUNDING WIRE TERMINALS.

\*APPLIES TO EQUIPMENT GROUND CONDUCTORS ONLY.

### ACCESSORIES

FILLER PLATE: ECQF3  
EQUIP GND BARS: ECLX SERIES  
5TH JAW: EC5J

RX TYPE HUBS	
TRADE SIZE	CAT. NO.
1-1/4 INCH	EC38597
1-1/2 INCH	EC38598
2 INCH	EC38599
2-1/2 INCH	EC38600

Siemens Industry, Inc. Norcross, Georgia U.S.A. **D**

© 2012 Copyright Siemens Industry, Inc.

40900575 0201 Rev.A