

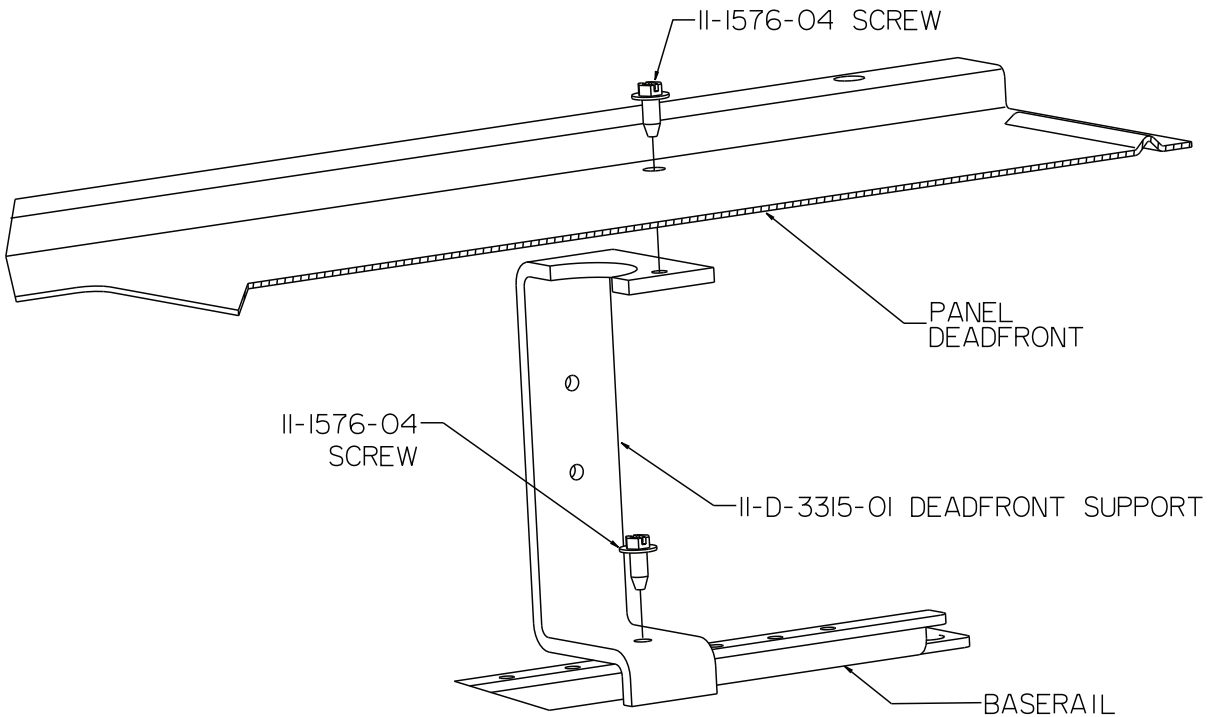
SIEMENS P1DFS400A

Replacement installation instructions
for RP1-400 Panel Deadfront Supports



KIT INCLUDES: Quantity (4) of RP1-400 Deadfront Support brackets and Quantity (8) of Mounting Screws

1. Lock off ALL power supplying this equipment before working on it.
2. Remove the panelboard front cover and deadfront.
3. Locate and remove the deadfront support bracket. (NOTE: It is advised to mark the location of the currently installed bracket prior to removal, to ensure proper installation of the new one.)
4. Fasten the new deadfront support bracket to the baserail as shown, using one #10-24 hex washer head screw.
5. Repeat Steps 3 & 4 for any other deadfront support brackets intended to be replaced.
6. Tighten these four screws to 30 lb-in.
7. Mount the deadfront onto the deadfront support brackets, using the four remaining #10-24 hex washer head screw. (If holes do NOT align, check whether or not the new brackets were mounted where the old brackets were.)
8. Tighten these four screws to 30 lb-in. (Ensure the four screws are fully seated against the deadfront.)
9. Reinstall the panelboard front cover.
10. Tighten all screws to the torque values specified on the back of the deadfront.
11. **Before energizing the panel**, ensure that the deadfront, barriers and fillers are all in place and secure, that the panelboard front cover is properly installed and that the door is closed/latched/locked.



Contact Siemens Sales Office if considering usage in applications other than as shown.

These instructions do not purport to cover all details or variations in equipment, or to provide for every possible contingency to be met in connection with installation, operation or maintenance. Should further information be desired or should particular problems arise, which are not covered sufficiently for the purchaser's purposes, the matter should be referred to the local Siemens sales office. The contents of this Instruction manual shall not become part of or modify any prior or existing agreement, commitment or relationship. The sales contract contains the entire obligation of Siemens. The warranty contained in the contract between the parties is the sole warranty of Siemens. Any statements contained herein do not create new warranties or modify the existing warranty.

Trademarks-Unless otherwise noted, all names identified by ® are registered trademarks of Siemens AG or Siemens Industry, Inc. The remaining trademarks in this publication may be trademarks whose use by third parties for their own purposes could violate the rights of the owner.