

SIEMENS

MBKQRFK

P1 / RP1 Filler Kit for QR Breaker Installation Instructions

IMPORTANT

Before proceeding, inspect breaker mounting screws. If the screw heads are not visible--due to factory-installed epoxy--

***** DO NOT USE THIS KIT *****

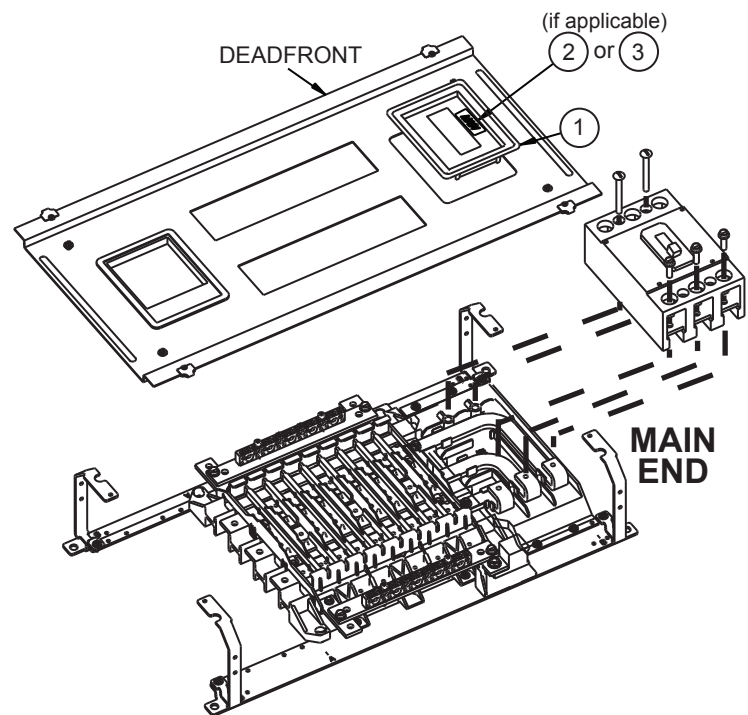
This complete kit must be returned and instead one of the following should be ordered:

- a) QR breaker AND separate strap kit (MBKQR1A or MBKQR3A)
- b) Kit that includes QR breaker factory-installed on strap kit

Follow instructions enclosed in one of those two options.

This instruction sheet is for the MBKQRFK filler kit for a 225A MAX QR breaker. This will work on Siemens Original P1 and/or Revised P1 panelboards, both single and three phase, in the MAIN or SUBFEED location, horizontal mount ONLY.

1. Lock off all power supplying this equipment before working on it.
2. Remove the panelboard front cover and deadfront.
3. Follow the new QR breaker installation instructions and carefully replace the old breaker.
4. Remove the old filler installed on the deadfront opening in the area that will cover this kit.
5. Install the breaker filler provided with this kit into the front of the deadfront by first inserting the static clips on one end of opening and then swinging the other end into position until it firmly "clicks" into place.
6. This kit includes two labels: one marked **MAIN** and the other marked **SERVICE DISCONNECT**. For main breaker applications, apply the **MAIN** label (as shown). For service entrance panels, apply the **SERVICE DISCONNECT** label instead. Dispose of any labels that are not used.
7. **Before energizing the panel**, ensure that ALL connections have been properly torqued, that the deadfront is installed and that all fillers are in place.



THIS KIT CONTAINS THE FOLLOWING ITEMS:

ITEM	DESCRIPTION	QTY
1	QR Plastic Filler	1
2	MAIN Label	1
3	SERVICE DISCONNECT Label	1

These instructions do not purport to cover all details or variations in equipment, or to provide for every possible contingency to be met in connection with installation, operation or maintenance. Should further information be desired or should particular problems arise, which are not covered sufficiently for the purchaser's purposes, the matter should be referred to the local Siemens sales office. The contents of this Instruction manual shall not become part of or modify any prior or existing agreement, commitment or relationship. The sales contract contains the entire obligation of Siemens. The warranty contained in the contract between the parties is the sole warranty of Siemens. Any statements contained herein do not create new warranties or modify the existing warranty.

Trademarks-Unless otherwise noted, all names identified by ® are registered trademarks of Siemens AG or Siemens Industry, Inc. The remaining trademarks in this publication may be trademarks whose use by third parties for their own purposes could violate the rights of the owner.